

LP-DF8 Self tapping coarse thread female

INDUSTRY FIT:



SPECIFICATION: (Page 1 of 2)

LOW PROFILE RANGE

NEW PRODUCT



USE WITH:

LP-M8



LP-SM8



The Fastmount™ multi-award winning system has revolutionized the mounting of panels. Panels can easily be removed and refitted in any sequence time after time. Available in ranges of interchangeable clips, for different applications.

Low Profile clip LP-DF8 designed for soft core material, self taps into plasterboard (drywall) and is used with male Low Profile clips, centre point and install tools.

BENEFITS

- Hidden fixing
- Self taps into Drywall plasterboard from 10mm thick
- Perfect panel alignment secure mounting every time
- Remove and refit panels in any sequence multiple times
- 5kg+ pull out load per clip
- Allows for flexing and expansion of panel

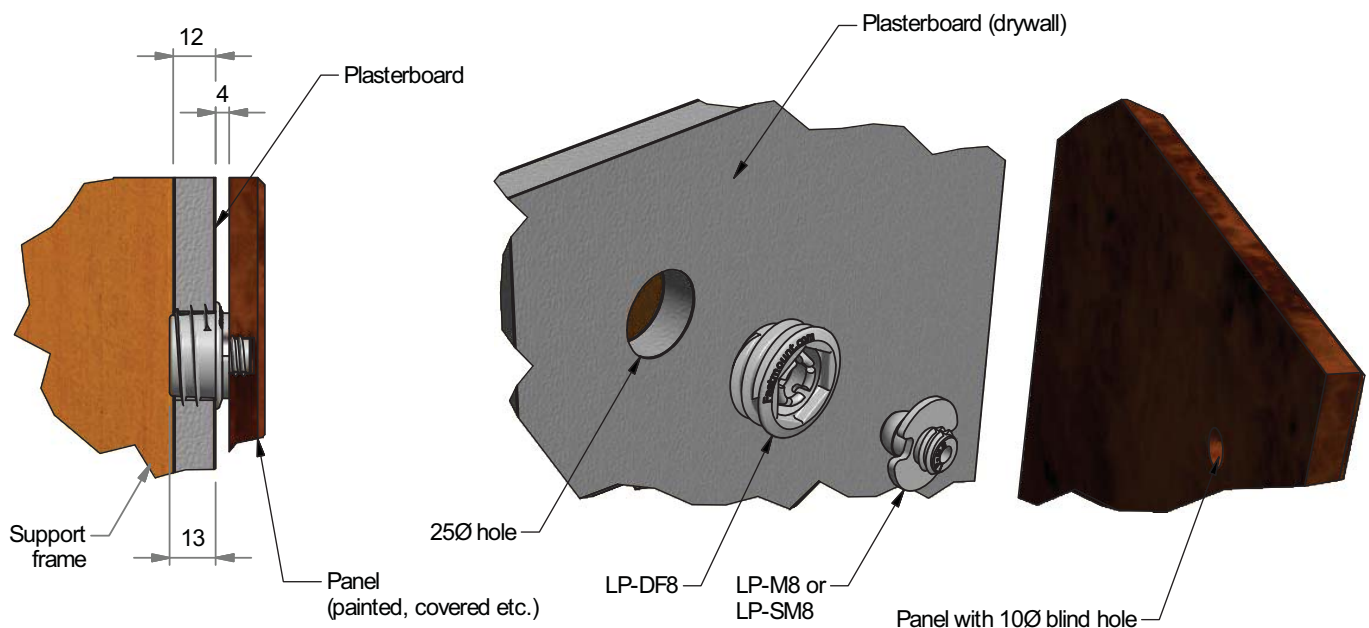
APPLICATIONS

- Suitable for covered or painted and prefinished panels
- Wall panels and selected ceiling panels, access panels
- Acoustic panels
- Refits and upgrades of existing installations
- Bed heads, artwork

MATERIAL: White acetal copolymer

MORE INFO: Installation Guide LP-DF8, Setout Guide TD-02, TD-08

INSTALLATION: Partially exploded section through showing typical installation method



LP-DF8 Self tapping coarse thread female

INDUSTRY FIT: 

SPECIFICATION: (Page 2 of 2)

LOW PROFILE RANGE



USE WITH:

LP-M8



LP-SM8



The Fastmount™ multi-award winning system has revolutionized the mounting of panels. Panels can easily be removed and refitted in any sequence time after time. Available in ranges of interchangeable clips, for different applications.

Low Profile clip LP-DF8 designed for soft core material, self taps into rigid foam core and balsa, is used with male Low Profile clips, centre point and install tools.

BENEFITS

- Hidden fixing
- Self taps into rigid foam core and balsa from 10mm thick
- Perfect panel alignment secure mounting every time
- Remove and refit panels in any sequence multiple times
- 5kg+ pull out load per clip
- Allows for flexing and expansion of panel

APPLICATIONS

- Suitable for covered or painted and prefinished panels
- Wall panels and selected ceiling panels, access panels
- Acoustic panels
- Refits and upgrades of existing installations
- Bed heads, artwork

MATERIAL: White acetal copolymer

MORE INFO: Installation Guide LP-DF8, Setout Guide TD-02, TD-08

INSTALLATION: Partially exploded section through showing typical installation method

