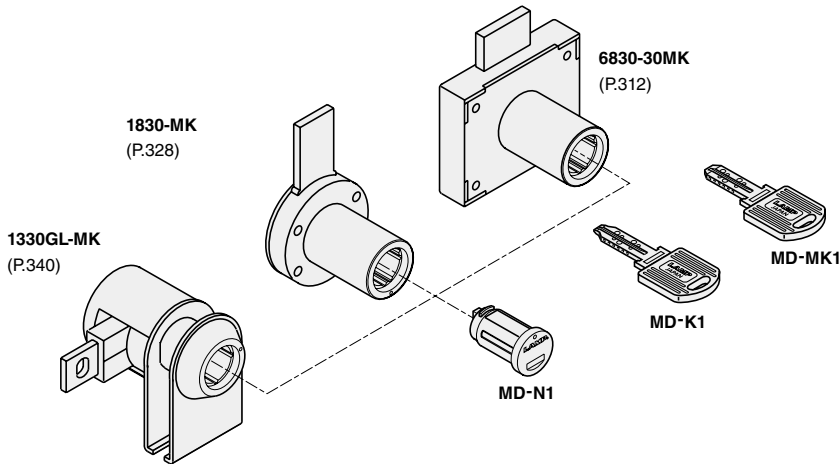


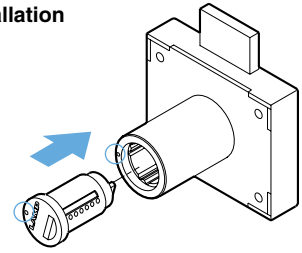
## INTERCHANGEABLE LOCK SERIES

### Features

- Cylinder changeable type with Master Key system.
- Interchangeable system allows easy key management.
- 7,800 key changes available.
  - Master Key (sold separately) can manage different key numbers. (Max. 750 key changes/Master Key)
- Reversible key.

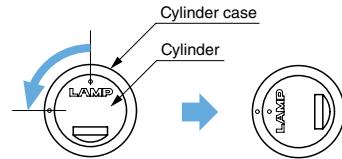


### Installation



Place two dots in the same position and insert the cylinder.

### How to Remove the Cylinder



Turn cylinder by using the Change Key (optional parts)

Place two dots in the same position

## INTERCHANGEABLE CYLINDER

## MD-N1



### Features

- For 6830-30MK, 1830-MK and 1330GL-MK.
- 7,800 key changes available. (Max. 750 key changes/Master Key)

Item Code	Item Name	Key Type	Material	Finish	Weight	Box	Carton
150-001-003	MD-N1-B	Key Different	Stainless Steel (SUS304)/Zinc Alloy (ZDC)	Polished/Yellow Zinc Chromate	50 g	12 pcs	60 pcs
150-001-126	MD-N1-D	Key Alike	Stainless Steel (SUS304)/Zinc Alloy (ZDC)	Polished/Yellow Zinc Chromate	50 g	12 pcs	60 pcs

## MASTER KEY & CHANGE KEY

## MD-MK1, MD-K1



### Features

- MD-MK1 - Master Key for easy key management.
- MD-K1 - Change Key to remove existing cylinder.

Item Code	Item Name	Type	Material	Finish/Colour	Weight	Box
150-001-002	MD-MK1	Master Key	Brass/ABS	Nickel/Black	13 g	1 pc
150-001-001	MD-K1	Change Key	Brass/ABS	Nickel/Black	13 g	1 pc