



7110

CABINET LOCK WITH SHAFT KEY



Use	Installation Surface	Key Changes	Master Key	When Unlocked	Compatible Locks
Drawer / Single swing door	Wood	500,000	Available*	Key is released	-

*Maximum 300 changes per master key

Features

- The shaft key can be inserted at any angle.
- The round keyhole allows for use on both drawers and swing doors.
- Dimple key design makes it difficult to duplicate the keys or pick the lock.
- More effective in preventing break-ins than many other types of keys.

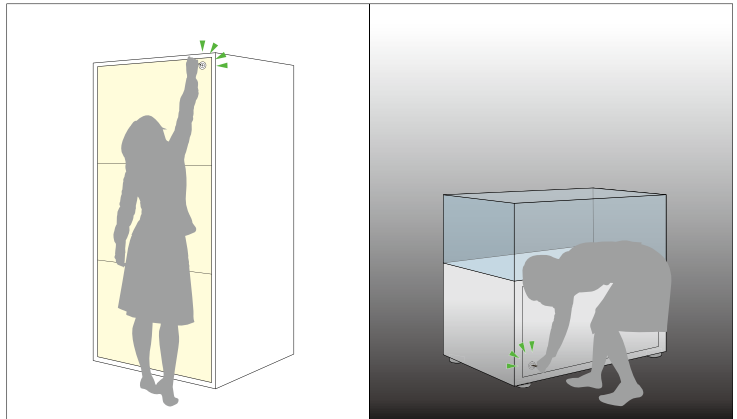
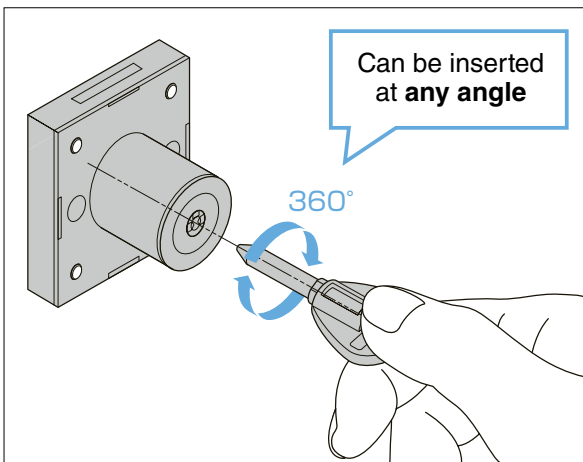
Remarks

Read the remarks on handling the lock before use.

Parts Included

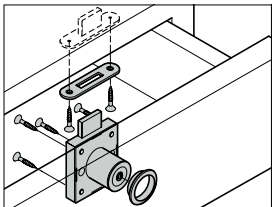
- Key (3pcs)
- Strike
- Ring
- Countersunk head wood screw 3.1 × 25 (SUS)
- Countersunk head wood screw 2.1 × 10 (SUS)

For applications where keyholes are hard to see

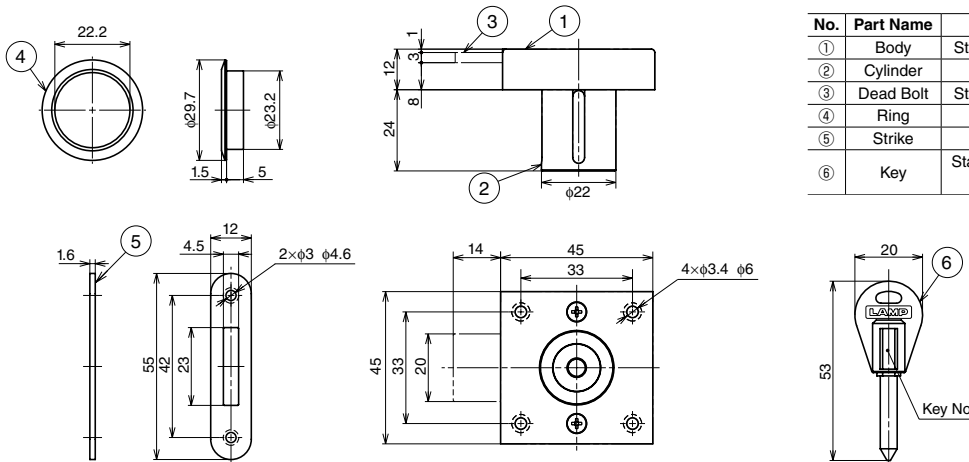
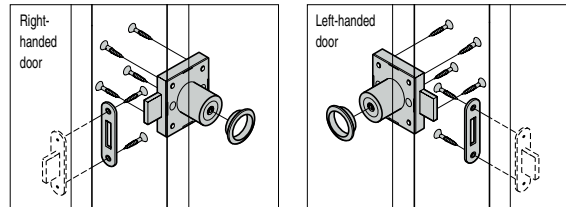


Easy to insert keys even when keyholes are high or low, or in dark places.

Installation on Drawer



Installation on Single Swing Door



No.	Part Name	Material	Finish
①	Body	Stainless Steel (SUS304)	Plain
②	Cylinder	Brass	Nickel
③	Dead Bolt	Stainless Steel (SUS304)	Plain
④	Ring	Brass	Nickel
⑤	Strike	Steel (SPCC)	Nickel
⑥	Key	Stainless Steel (SUS303/) Polyacetal (POM)	Plain

RoHS	CAD	Item Code	Item Name	Key Type	Cylinder Diameter	Door Thickness	Weight	Box	Carton
Yes	Yes	150-044-383	7110-24-DN-B	Key Different	22	22-24	160 g	12 pcs	60 pcs
Yes	Yes	150-001-059	7110-24-DN-D	Key Alike				12 pcs	60 pcs

