

CENTRAL LOCKING SYSTEM FOR FURNITURE



1830-MK

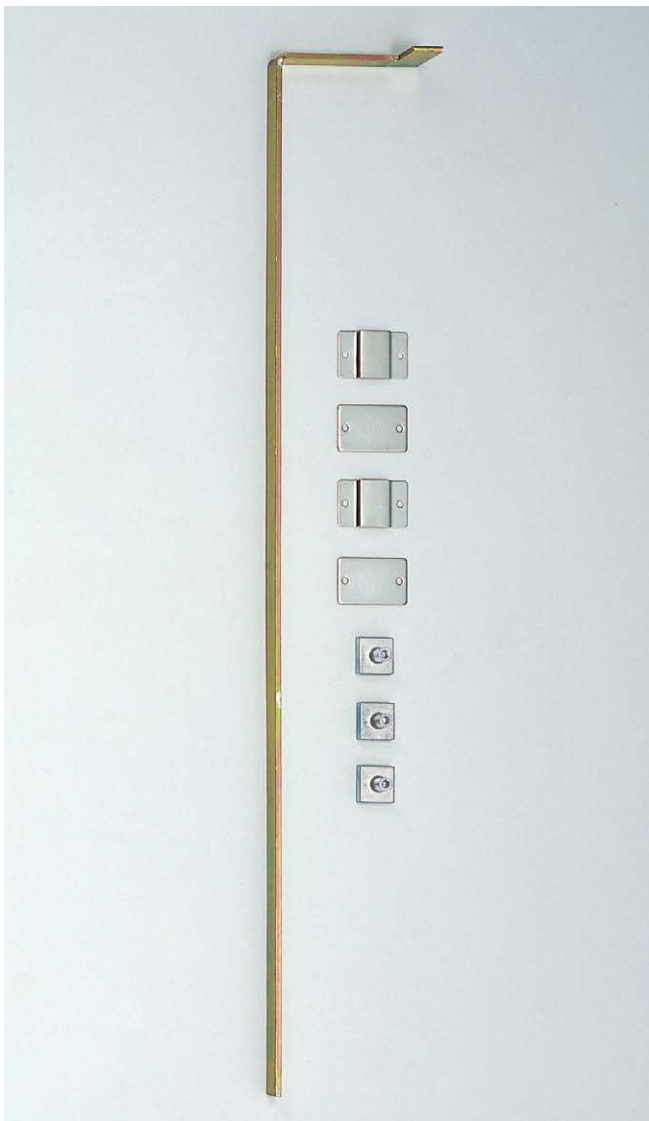
LOCKS



1830-MKGA

1830-MKDN

*Cylinder and key are sold separately.



Parts set ALFL (sold separately)

Features

- Interchangeable cylinder lock with Master Key system.
- Locks all drawers on one side simultaneously.
- 7,800 key changes available. (Max. 750 key changes/Master Key)
- Keys can be shared with 1330GL-MK (P.340) and 6830-30MK (P.312).
- Cylinder lock needs to be installed on the front panel of the top drawer.
- 4 or more lock parts are sold separately.
- The depth of the drawer can be adjusted according to the position of the lock pin.
- Right-handed / left-handed bar available.

Remarks

Cylinder can be changed by using Change Key MD-K1.

Parts Included

- Countersunk head wood screw 2.7 × 16
- Pan head wood screw 2.7 × 13

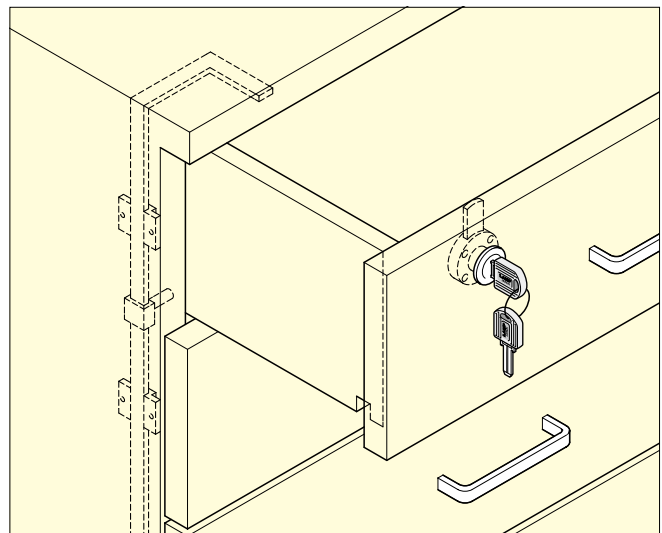
Sold Separately

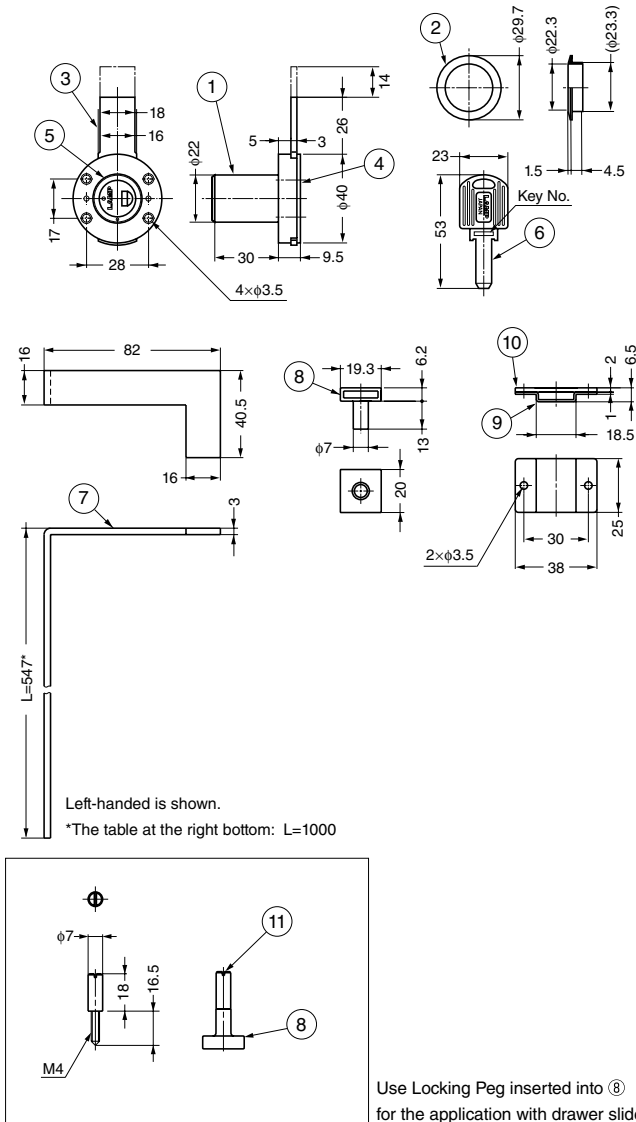
- Cylinder MD-N1 (P.311)
- Master Key MD-MK1 (P.311), change key MD-K1 (P.311)
- Parts set ALFR, ALFL

Optional Parts

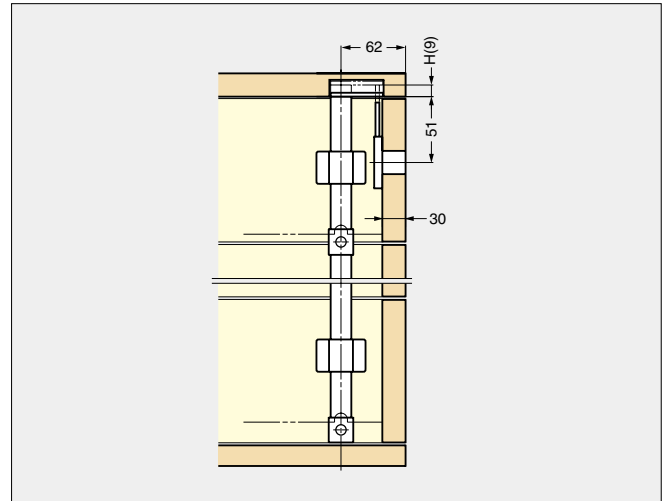
- Parts (8 - 10)
- Locking peg ALS-KP
- Bar ALFBAR1000

CENTRAL LOCKING SYSTEM FOR FURNITURE

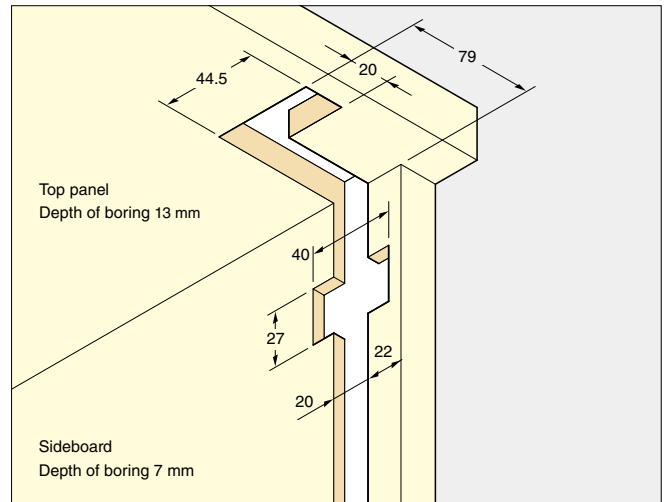




Installation



Cut Out Dimensions



Use Locking Peg inserted into ⑪ for the application with drawer slides.

No.	Part Name	Material	Finish/Colour
①	Housing	Zinc Alloy (ZDC)	GA: Gold, Paint/Clear DN: Satin Nickel
②	Ring	Brass	GA: Gold, Paint/Clear DN: Satin Nickel
③	Dead Bolt	Stainless Steel (SUS304)	Polished
④	Cover	Stainless Steel (SUS304)	Polished
⑤	Cylinder (Sold Separately)	Stainless Steel (SUS304)/Zinc Alloy (ZDC)	Polished/Yellow Zinc Chromate
⑥	Key (Sold Separately)	Brass/ABS	Nickel/Black
⑦	Guide Bar (Sold Separately)	Steel	Yellow Zinc Chromate
⑧	Lock Pin (Sold Separately)	Zinc Alloy (ZDC)	Yellow Zinc Chromate
⑨	Guide (Sold Separately)	Steel	Nickel
⑩	Guide Plate (Sold Separately)	Steel	Nickel
⑪	Locking Peg (Option)	Steel	Nickel

Cylinder Housing (① - ④) *Cylinder ⑤ and Key ⑥ are sold separately.

Item Code	Item Name	Finish	Cylinder Diameter	Stroke of Bar	Door Thickness	Weight	Carton
150-066-006	1830-MKGA	Gold, Paint/Clear	φ22	14	30	143 g	60 pcs
150-066-005	1830-MKDN	Satin Nickel	φ22	14	30	143 g	60 pcs

Parts Set (⑦ - ⑩) (Sold Separately)

Item Code	Item Name	Left/Right	Weight	Carton
150-060-520	ALFR	Right	328 g	50 sets
150-060-521	ALFL	Left	328 g	50 sets

Locking Peg (⑪) (Optional Parts)

Item Code	Item Name	Weight	Box	Carton
150-060-117	ALS-KP	6.5 g	400 pcs	2,000 pcs

For the drawers over 4.

Parts (⑧ - ⑩) (Optional Parts)

Item Code	Item Name	Part Name	No.	Weight
150-060-134	ALS-LP	Lock Pin for Auto-Lock	⑧	11.5 g
150-945-903	ALS-G	Guide for Auto-Lock	⑨	8 g
150-945-902	ALS-GP	Guide Plate for Auto-Lock	⑩	14.5 g

Guide Bar (⑦ L=1000) (Optional Parts)

Item Code	Item Name	Left/Right	Weight	Box	Carton
150-028-521	ALFBAR1000R	Right	407 g	10 pcs	50 pcs
150-028-522	ALFBAR1000L	Left	407 g	10 pcs	50 pcs