



5830

CABINET LOCK

LOCKS

CABINET LOCK / SPACER



5830-30MK

Features

- Interchangeable cylinder lock with Master Key system.
- Easy to replace cylinder by using Change Key 5830-K1 (below).
- Reversible key can be removed when locked and unlocked (180° rotation).
- Max. 3,120 key changes available. (Max. 780 key changes/Master Key)

Remarks

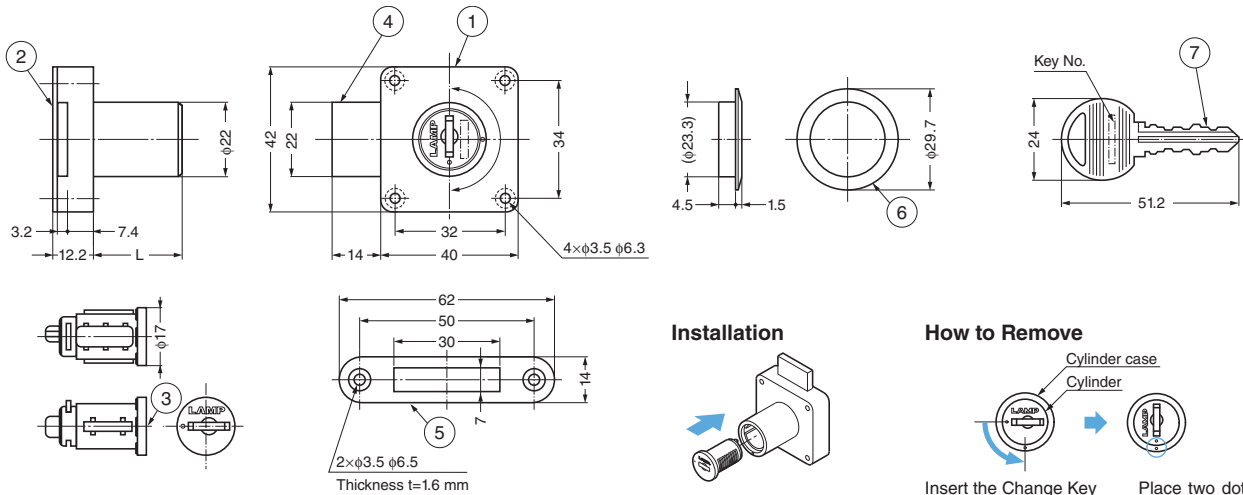
Replaceable cylinder (5830-N1) is made to order.

Parts Included

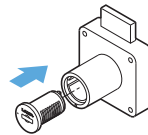
Countersunk head wood screw 3.1 × 13, 3.1 × 22 (SUS)

Optional Parts

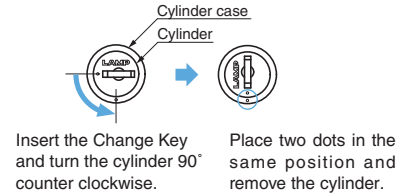
- Master Key 5830-MK1
- Change Key 5830-K1
- Spacer 5830-SP



Installation



How to Remove



Body

Item Code	Old Item Code	Item Name	Key Type	Cylinder Diameter	Door Thickness L	Weight	Box	Carton
150-001-006	—	5830-24MK-B	Key Different	φ22	24	155 g	12 pcs	60 pcs
150-001-382	150-060-060	5830-24MK-D	Key Alike	φ22	24	155 g	12 pcs	60 pcs
150-001-007	—	5830-30MK-B	Key Different	φ22	30	202 g	12 pcs	60 pcs
150-001-381	150-060-025	5830-30MK-D	Key Alike	φ22	30	202 g	12 pcs	60 pcs

Master Key (Optional Parts)

Item Code	Item Name
150-001-009	5830-MK1

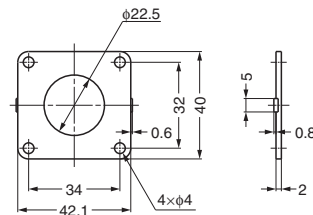
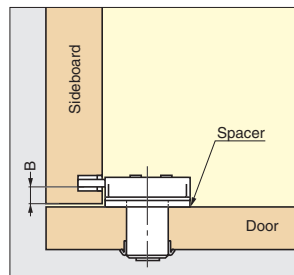
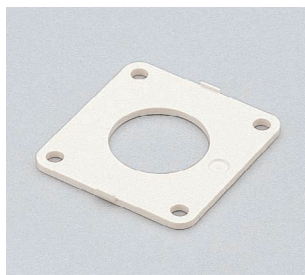
Change Key (Optional Parts)

Item Code	Item Name
150-001-008	5830-K1

No.	Part Name	Material	Finish
①	Body	Zinc Alloy (ZDC)	Satin Nickel
②	Case Cover	Steel	Nickel
③	Cylinder (Inner)	Zinc Alloy (ZDC)	Satin Nickel
④	Dead Bolt	Steel	Nickel
⑤	Strike	Steel	Nickel
⑥	Ring	Brass	Satin Nickel
⑦	Key	Brass	Nickel

SPACER

5830-SP



Remarks

Distance spacer for 5830 cabinet lock.

Item Code	Item Name	Material	Colour	Thickness	Weight	Box	Carton
150-060-569	5830-SP	ABS	White	2	2.7 g	200 pcs	2,000 pcs