

# SECURITY CAM LOCK

# NO990



### Features

- Specially designed key with magnet prevents from lock-picking and duplication of the key.
- Key can be removed when locked (90° rotation).
- With/without drill-protection cover available.
- Max. 40,000 key changes available.
- Lock without ring can be made to order.

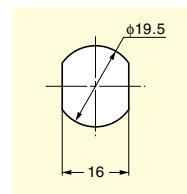
### Application

Vending machine, ATM.

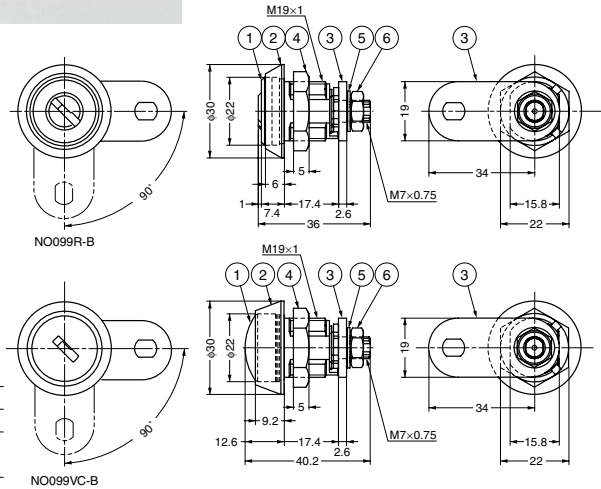
### Remarks

- Not attract strong magnet.
- Master Key is not available.

### Cut Out Dimensions



Without ring (Made to order)



No.	Part Name	Material	Finish
①	Body	Brass	Chrome
②	Ring	NO990R-B : Brass NO990VC-B: Zinc Alloy (ZDC)	Chrome
③	Cam	Steel (SPCC)	Yellow Zinc Chromate
④	Nut M19×1	Zinc Alloy (ZDC)	Clear Zinc Chromate
⑤	Washer for M7	Steel	Yellow Zinc Chromate
⑥	Nut M7×0.75	Steel	Yellow Zinc Chromate
⑦	Key	Brass/Ferrite	Nickel

Item Code	Item Name	Key Type	Drill-Protection Cover	Door Thickness	Weight	Box	Carton
150-013-020	NO990R-B	Key Different	Without	0.8 - 8	103 g	25 pcs	100 pcs
150-013-019	NO990VC-B	Key Different	With	0.8 - 8	109 g	25 pcs	100 pcs

# CAM LOCK WITH HOLE SHUTTER

# 920BS



### Features

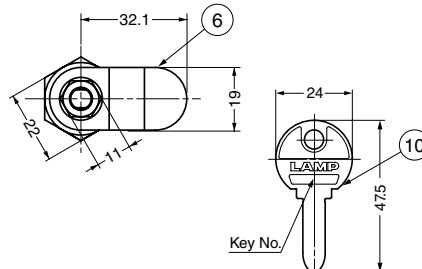
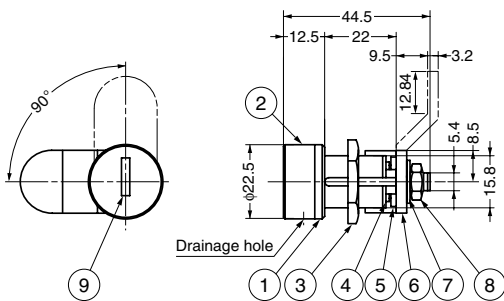
- Cylinder lock with key hole shutter.
- Reversible key can be removed when locked (90° rotation).
- 3,200 key changes available.
- Master Key system available at surcharge.  
(Max. 120 key changes/Master Key.)
- Cam can be changed to straight type at surcharge.

### Application Example

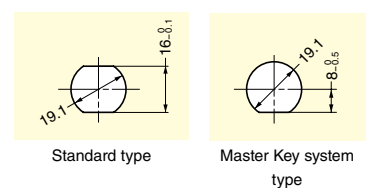
Mailbox

### Remarks

Place drainage hole in downward.



### Cut Out Dimensions



No.	Part Name	Material	Finish
①	Body	Brass	Chrome
②	Cover	Brass	Chrome
③	M19 Hex Nut	Steel (SS)	Yellow Zinc Chromate
④	Ring	Stainless Steel	-
⑤	Revolving Part	Steel (SPCC)	Yellow Zinc Chromate
⑥	Cam	Steel (SPCC)	Yellow Zinc Chromate
⑦	Washer	Steel	Yellow Zinc Chromate
⑧	M7 Hex Nut	Steel (SS)	Yellow Zinc Chromate
⑨	Shutter	Stainless Steel	-
⑩	Key	Brass	Nickel

Item Code	Item Name	Key Type	Door Thickness	Weight	Box	Carton
150-025-144	920BS-B	Key Different	0.8 - 12	97.4 g	12 pcs	60 pcs
150-001-237	920BS-D	Key Alike	0.8 - 12	97.4 g	12 pcs	60 pcs

Please contact us for this item with Master Key system.