

CAM LOCK

NAL

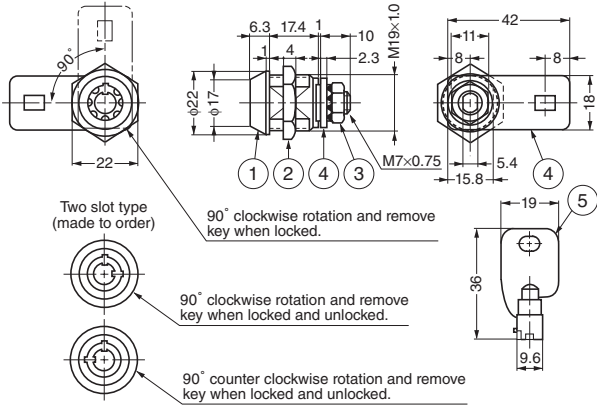


Features

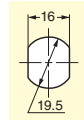
- 90 degree cam rotation.
- Key is removable in locked position only.
- 5,000 key changes available.

Remarks

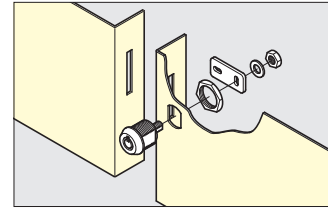
Spring works key to pull back. Push the key tightly and turn to lock and unlocked.



Cut Out Dimensions



Installation



No.	Part Name	Material	Finish
①	Body	Brass	Chrome
②	Hex Nut	Zinc Alloy (ZDC)	Yellow Zinc Chromate
③	Hex Nut	Steel (SWRCH)	Yellow Zinc Chromate
④	Cam	Steel (SPCC)	Yellow Zinc Chromate
⑤	Key	Steel (SPCC)	Nickel

Item Code	Item Name	Key Type	Cylinder Diameter	Door Thickness	Weight	Box
150-061-067	NAL-B	Key Different	φ19 (width: 15.8)	Max. 10	55 g	100 pcs
150-061-068	NAL-D	Key Alike	φ19 (width: 15.8)	Max. 10	55 g	100 pcs

MINI CAM LOCK

NAL-S



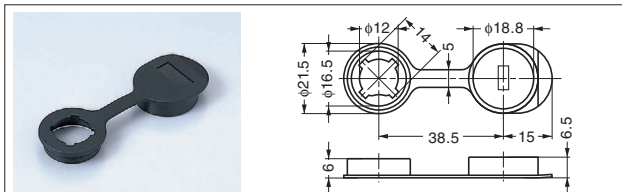
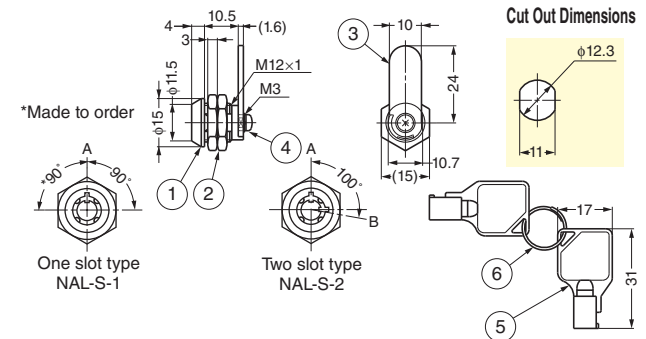
Features

- NAL-S-1: Key is removable in locked position only. (Avoids to forget to lock.)
- NAL-S-2: Key is removable in both locked and unlocked positions.
- Cam is reversible.
- Keyed alike only. Key different available as special order.
- 1 key Alike and 25key changes available.

Optional Parts

Cap (NAL-S CAP)

No.	Part Name	Material	Finish
①	Body	Zinc Alloy	Chrome
②	Hex Nut	Steel	Clear Zinc Chromate
③	Cam	Steel	Chrome
④	Screw for Installing Lock Plate	Steel	Clear Zinc Chromate
⑤	Key	Steel	Chrome
⑥	Key Ring	Stainless Steel (SUS304)	-



Item Code	Item Name	Material	Colour	Weight	Box	Carton
150-039-050	NAL-S CAP	Polyethylene (PE)	Black	1.5 g	500 pcs	2,000 pcs

Item Code	Item Name	Slots	Key Type	Door Thickness	Weight	Box	Carton
150-034-274	NAL-S-1-B	One	Key Different	Max. 2	25 g	100 pcs	500 pcs
150-060-667	NAL-S-1-D	One	Key Alike	Max. 2	25 g	100 pcs	500 pcs
150-034-275	NAL-S-2-B	Two	Key Different	Max. 2	25 g	100 pcs	500 pcs
150-060-666	NAL-S-2-D	Two	Key Alike	Max. 2	25 g	100 pcs	500 pcs

Please confirm the item in case of changing the specification.