

MILLION LOCK CAM LOCK 900



- Suitable for vending machine, ATM and coin locker, etc.
- Reversible key can be removed when locked (90° rotation). In order to ensure that the application is properly locked.
- 1 million key changes available. Master Key system available at surcharge. (Max. 2,520 key changes/Master Key.)
- Other shapes of cam can be made to order.
- Keys can be shared with Million Lock series **1**.

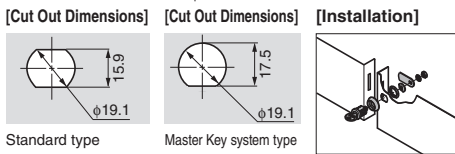
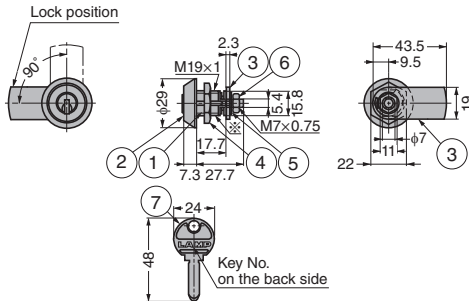
CAM LOCKS

DIAL LOCKS

GLASS DOOR LOCKS

CABINET DOOR LOCKS

OTHER LOCKS



Standard type

Master Key system type

[Remarks]

- Be sure to read the "Cautions" **2**.
- Key number is stamped on the screw part (※ marked on left drawing) of the body.

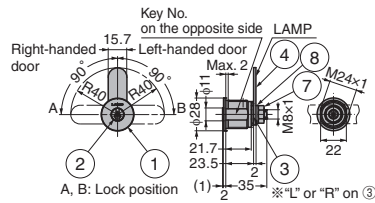
No.	Part Name	Material	Finish
①	Body	Brass	Chrome
②	Ring		
③	Cam	Steel (SPCC)	Coloured Zinc Chromate
④	Hex Nut	Steel (SS)	
⑤	Washer	Steel	Nickel
⑥	Hex Nut	Steel (SS)	Coloured Zinc Chromate
⑦	Key	Brass	Nickel

RHS	CAD	Item Code	Item Name	Key Type	Door Thickness	Weight (g)	Box (pcs)	Carton (pcs)
-	BD	150-060-247	900-B	Key Different	0.8~8	120	12	60
-	BD	150-001-080	900-D	Key Alike			-	1

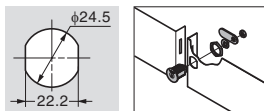
Refer to **1** : P.719, **2** : P.718

STAINLESS STEEL CAM LOCK 3800S

INSTRUCTION SUS



[Cut Out Dimensions] [Installation]



- Nickel silver key with excellent corrosion and abrasion resistance. Durability with thick cam.
- Non-handed.
- Reversible key can be removed when locked (90° rotation). In order to ensure that the application is properly locked.
- 300 key changes available.
- Master Key system (300 key changes) available at surcharge. (1 Master Key only.)
- Cabinet lock 3810S **1** of the same material also available.

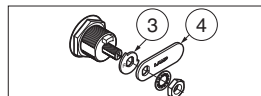
[Remarks]

- Be sure to read the "Cautions" **2**.
- Not waterproof.

No.	Part Name	Material	Finish
①	Cylinder (Outer)	Stainless Steel (SUS303)	Satin
②	Cylinder (Inner)		
③	Cylinder Cam	Stainless Steel (SUS304)	2B Finish
④	Cam		
⑤	Nut (for Installing the Body)	Stainless Steel (SUS303)	Plain
⑥	Washer (for Body)	Stainless Steel (SUS304)	
⑦	Nut (for Installing the Cam)	Stainless Steel	
⑧	Washer	Stainless Steel (SUS304)	
⑨	Key	Nickel Silver	
-	Key Ring	Stainless Steel (SUS304)	

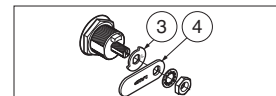
※Cylinder pin is made of brass.

[Installing to Right-handed Door]



After installation, ensure that the "R" mark on cylinder cam and the "LAMP" mark on cam are in normal direction (as seen from the back of lock).

[Installing to Left-handed Door]



After installation, ensure that the "L" mark on cylinder cam and the "LAMP" mark on cam is reversed (as seen from the back of lock).

RHS	CAD	Item Code	Old Item Code	Item Name	Key Type	Door Thickness	Weight (g)	Box (pcs)	Carton (pcs)
BD	BD	150-012-921	-	3800S-B	Key Different	2~10	120	12	60
BD	BD	150-001-368	150-012-920	3800S-D	Key Alike			12	60

Refer to **1** : P.737, **2** : P.718