

GLASS DOOR CAM LOCK 2100GL 2100 Lock Series

TEMPERED GLASS

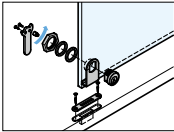


- For glass single swing doors. Ideal for application of audio rack and showcase, etc.
- Available for both right and left swing door.
- Key can be removed when locked.
- 12 key changes available.
- Keys can be shared with 2100 Lock Series **1**.
- 2100 GLK **2** with clawed cam also available.

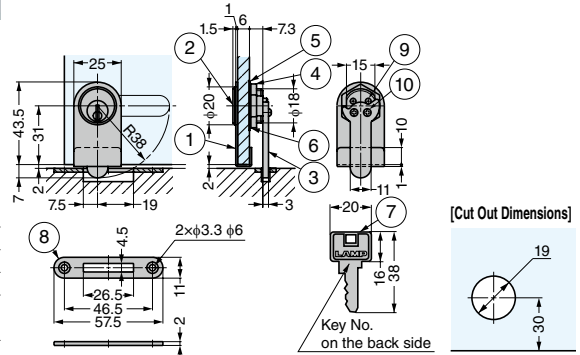
[Remarks]

- Be sure to read the "Cautions" **3**.

[Installation]



No.	Part Name	Material	Finish/Colour
①	Front Plate	Stainless Steel (SUS304)	Polished
②	Body	Brass	Satin Nickel
③	Cam	Steel	Nickel
④	Hex Nut	Brass	
⑤	Plastic Washer	PA	Natural
⑥	Washer	Steel	Chrome
⑦	Key	Brass	Nickel
⑧	Strike	Steel	Chrome
⑨	Screw (Stopper for the Cam)	Brass	Plain
⑩	Screw (for Installing Cam) (Pan Head Screw M2.5×8)	Steel	Nickel



RoHS	CAD	Item Code	Item Name	Key Type	Glass Thickness	Weight (g)	Box (pcs)	Carton (pcs)
-	GD	150-001-057	2100GL-B	Key Different	4~6	75	12	120
-	GD	150-001-058	2100GL-D	Key Alike			12	120

Refer to **1** : P.719, **2** : P.732, **3** : P.718CAM
LOCKSDIAL
LOCKSGLASS
DOOR
LOCKSCABINET
DOOR
LOCKSOTHER
LOCKS

GLASS DOOR CAM LOCK 1100GLM-B

TEMPERED GLASS

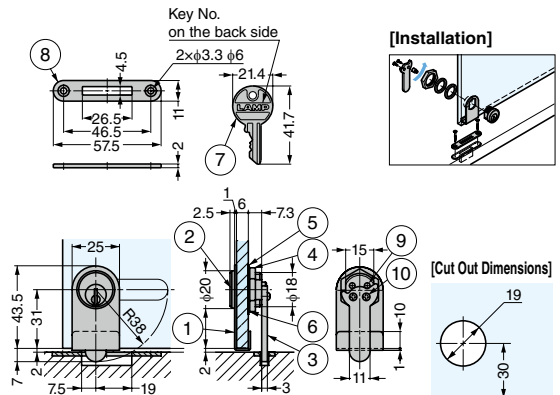


- Key is removable in locked position only.
- Available for both right and left swing door.
- 25 key changes available.

[Remarks]

- Be sure to read the "Cautions" **1**.

No.	Part Name	Material	Finish/Colour
①	Front Plate	Brass	Clear Coated
②	Body	Brass	Clear Coated
③	Cam	Steel	Brass
④	Hex Nut	Brass	Plain
⑤	Plastic Washer	PA	Natural
⑥	Washer	Steel	Chrome
⑦	Key	Brass	Clear Coated
⑧	Counter Plate	Steel	Brass
⑨	Screw (Stopper for the Cam)	Brass	Plain
⑩	Screw (for Installing Cam) (Pan Head Screw M2.6×6)	Steel	Clear Zinc Chromate



RoHS	CAD	Item Code	Item Name	Key Type	Glass Thickness	Finish	Weight (g)	Box (pcs)	Carton (pcs)
-	GD	150-061-276	1100GLM-B	Key Difference	4~6	Clear Coated	65	25	250

Refer to **1** : P.718