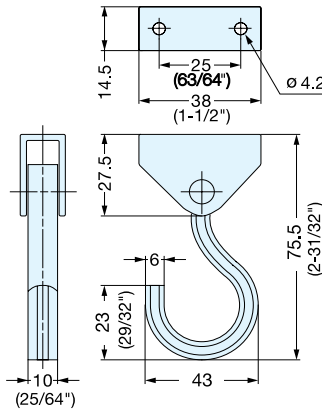


# SWING HOOK



# XL-JSF40TT



• Vertical swivel allows for under mount applications.

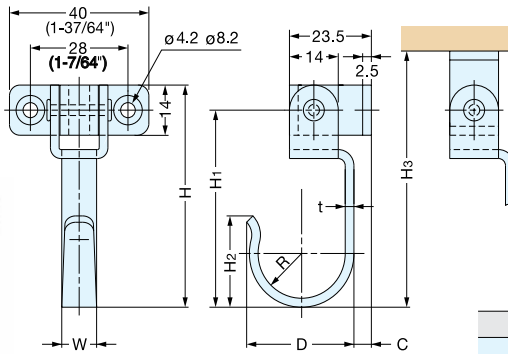
| Item No.   | Load Capacity (kg) | Weight (g) | Box (pcs) | Carton (pcs) |
|------------|--------------------|------------|-----------|--------------|
| XL-JSF40TT | 50 (110 lbs)       | 70         | 20        | 120          |

| Part Name | Material            | Finish                   |
|-----------|---------------------|--------------------------|
| Hook      | 303 Stainless Steel | Mirror/Satin Combination |
| Bracket   | 304 Stainless Steel |                          |

# SWING HOOK



# UC



• Vertical swivel allows for under mount applications.

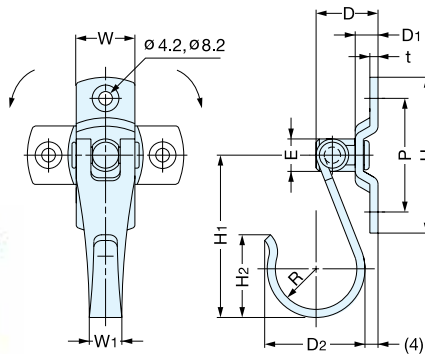
| Material            | Finish |
|---------------------|--------|
| 304 Stainless Steel | Satin  |

| Item No. | W           | D              | H             | H <sub>1</sub> | H <sub>2</sub> | H <sub>3</sub> | C   | R    | t   | Load Capacity (kg) | Weight (g) | Box (pcs) | Carton (pcs) |
|----------|-------------|----------------|---------------|----------------|----------------|----------------|-----|------|-----|--------------------|------------|-----------|--------------|
| UC-048   | 9 (23/64")  | 24.9 (63/64")  | 55 (2-11/64") | 48 (1-57/64")  | 21.4 (27/32")  | 64.5           | 6.5 | 10.0 | 2.0 | 5.6 (12 lbs)       | 37         | 40        | 400          |
| UC-055   | 10 (25/64") | 30.8 (1-7/32") | 62 (2-7/16")  | 55 (2-11/64")  | 25.5 (57/64")  | 71.5           | 5.0 | 12.5 | 2.5 | 6.7 (14 lbs)       | 45         | 25        | 250          |

# SWING HOOK



# UJ



• Rotates 360° and swivels 180°.  
• Can be mounted in various directions.

| Material            | Finish |
|---------------------|--------|
| 304 Stainless Steel | Satin  |

| Item No. | W  | W <sub>1</sub> | D    | D <sub>1</sub> | D <sub>2</sub> | H  | H <sub>1</sub> | H <sub>2</sub> | P  | E   | R    | t   | Load Capacity (kg) | Weight (g) | Box (pcs) | Carton (pcs) |
|----------|----|----------------|------|----------------|----------------|----|----------------|----------------|----|-----|------|-----|--------------------|------------|-----------|--------------|
| UJ-040   | 16 | 9              | 16.5 | 5.5            | 24.9 (63/64")  | 42 | 40 (1-37/64")  | 21.4           | 30 | ø9  | 10.0 | 2.0 | 6.7 (14 lbs)       | 27         | 50        | 500          |
| UJ-050   | 18 | 10             | 19.0 | 7.0            | 30.8 (1-7/32") | 48 | 50 (1-31/32")  | 25.5           | 35 | ø10 | 12.5 | 2.5 | 8.9 (19 lbs)       | 45         | 30        | 300          |