

COUNTER HOOK

TEST METHOD 1

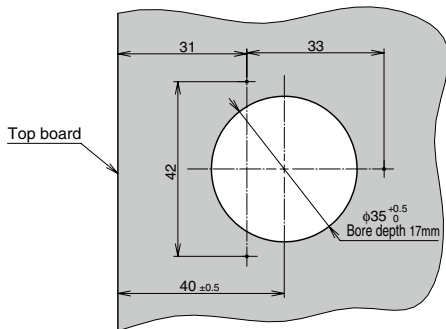
TEST METHOD 4

HK-CH35

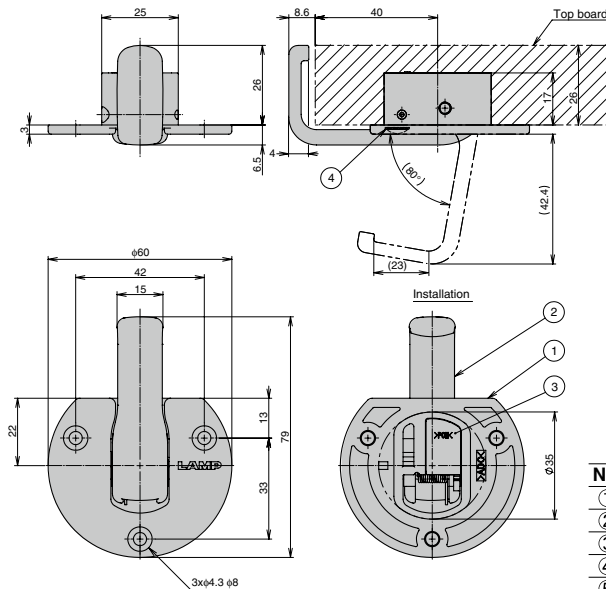


Colour shown on the picture might differ slightly from the actual products.

Cut Out Dimensions



Hook



Hook

CAD	Item Code	Item Name	Colour	Load Capacity N	Load Capacity kgf	Weight (g)	Box (pcs)	Carton (pcs)
2D/3D	110-037-828	HK-CH35-BL	Black	98	10	47.1	10	200
2D/3D	110-037-829	HK-CH35-BR	Brown			47.1	10	200
2D/3D	110-037-830	HK-CH35-SL	Silver			47.1	10	200

Spacer

CAD	Item Code	Item Name	Thickness	Weight (g)	Box (pcs)	Carton (pcs)
2D/3D	110-037-831	HK-CH35-DP3	3	5.1	100	1000

Features

- When not in use, the hook will automatically retract.
- When retracted, the arm will be visible from the sides of the table or board making it easy to tell whether the hook is holding something or not.
- Applicable board thickness: Min. 26 mm. For board thickness below 26 mm, please use an optional spacer to adjust the hook installation position.

Applications

Shop, facility, housing, etc.

Remarks

Install to top board with adequate strength.

Parts Included

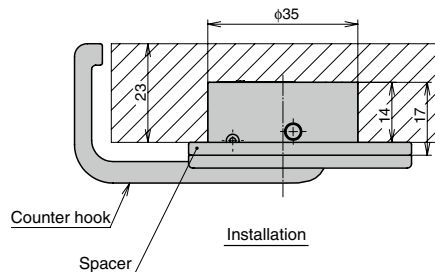
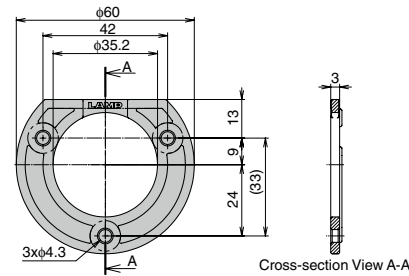
Countersunk head tapping screw 4x20

Sold Separately

Spacer

Board Thickness	Qty of Spacers	Bore Depth
Min. 26 mm	None	17 mm
23 - 26 mm	1 pcs	14 mm
20 - 23 mm	2 pcs	11 mm
17 - 20 mm	3 pcs	8 mm

Spacer



No.	Part Name	Material	Finish / Colour
①	Body	Aluminium Alloy (ADC)	Enamel Finish/Black, Silver, Brown
②	Arm	Aluminium Alloy (ADC)	Enamel Finish/Black, Silver, Brown
③	Cover	POM	-
④	Bumper	PUR	Clear
⑤	Spacer	PA	Black