

STAINLESS STEEL FRICTION TYPE LARGE HOOK WITH SPHERICAL TIP

TEST
METHOD 19

SUS

HK-TS

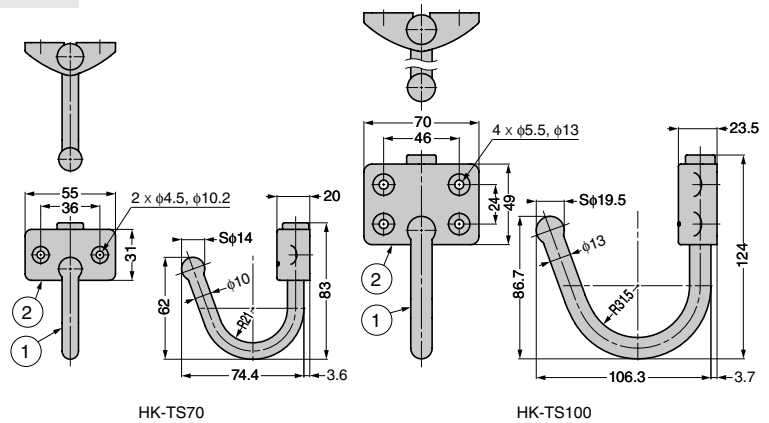
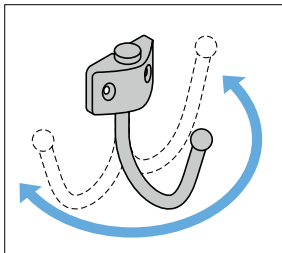


Features

- Hook swivels 180°.
- Friction prevents unintended swivelling caused by vibrations.
- Ball end prevents injury.
- Double-hook type (HK-TT) is also available.

Parts Included

- HK-TS70: Size 4 x 25 cross-recessed truss head tapping screws (stainless steel)
- HK-TS100: Size 5 x 35 cross-recessed truss head tapping screws (stainless steel)



No.	Part Name	Material	Finish
①	Hook	Stainless Steel (SUS304)	Polished
②	Strike	Stainless Steel (SCS13)	

CAD	Item Code	Item Name	Load Capacity N	Load Capacity kgf	Weight (g)
	110-041-226	HK-TS70	100	10.2	230
	110-041-227	HK-TS100	260	26.5	550

STAINLESS STEEL FRICTION TYPE LARGE HOOK WITH SPHERICAL TIP

TEST
METHOD 19

SUS

HK-TT

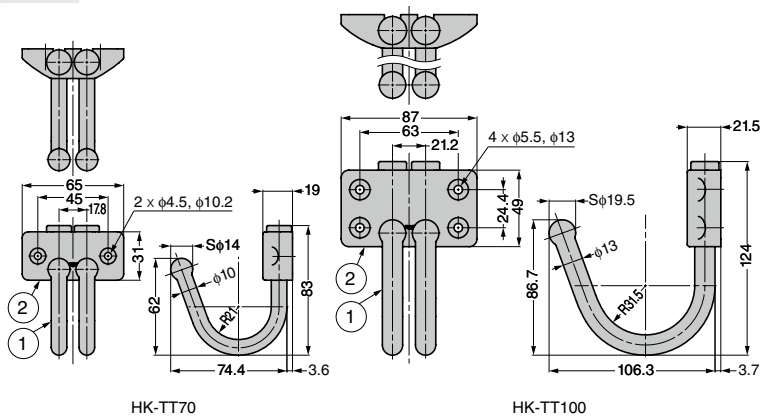
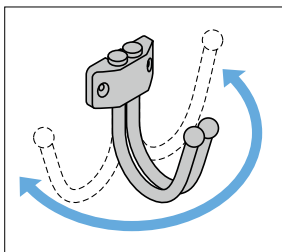


Features

- Hook swivels 180°.
- Friction prevents unintended swivelling caused by vibrations.
- Ball end prevents injury.
- Single-hook type (HK-TS) is also available.

Parts Included

- HK-TT70: Size 4 x 25 cross-recessed truss head tapping screws (stainless steel)
- HK-TT100: Size 5 x 35 cross-recessed truss head tapping screws (stainless steel)



No.	Part Name	Material	Finish
①	Hook	Stainless Steel (SUS304)	Polished
②	Strike	Stainless Steel (SCS13)	

CAD	Item Code	Item Name	Load Capacity N	Load Capacity kgf	Weight (g)
	110-041-228	HK-TT70	100	10.2	260
	110-041-229	HK-TT100	260	26.5	600

* Load capacity values are for one side only.