

## HOOK

TEST  
METHOD 4

SUS

## 4HJU-40M

HOOKS

HOOK

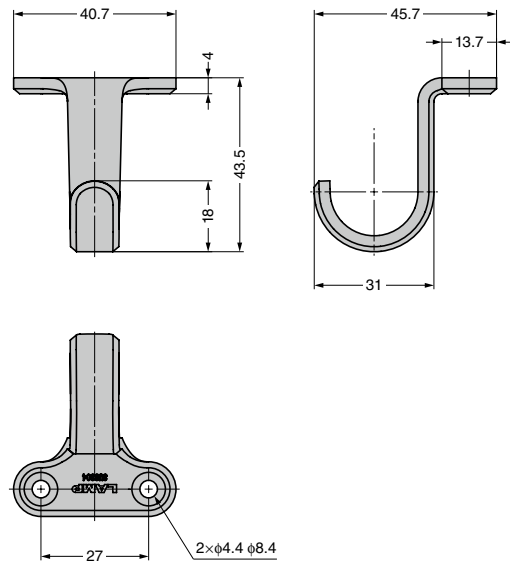


## Feature

- Chamfered edges prevent injury.
- Ceiling hook.

## Parts Included

Countersunk head tapping screw 4x25 (Stainless Steel)



CAD	Item Code	Item Name	Material	Finish / Colour	Load Capacity N	Load Capacity kgf	Weight (g)	Box (pcs)	Carton (pcs)
	110-041-004	4HJU-40M	Stainless Steel (SUS304)	Mirror	150	15.3	42.5	20	200

## HOOK

TEST  
METHOD 4

SUS

## 5HJU-60M

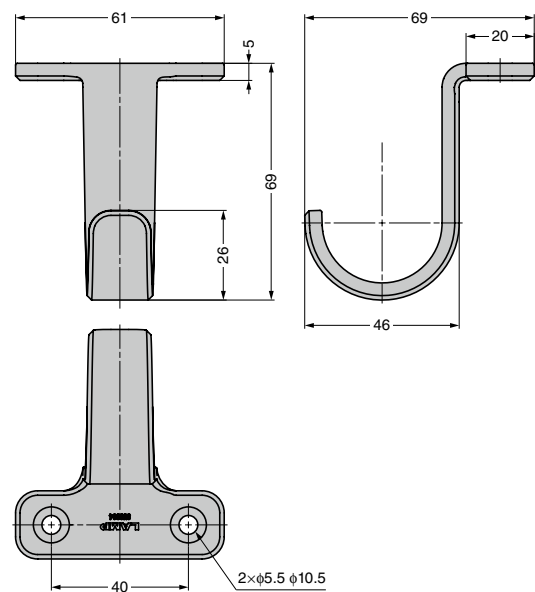


## Feature

- Chamfered edges prevent injury.
- Ceiling hook.

## Parts Included

Countersunk head tapping screw 4x25 (Stainless Steel)



CAD	Item Code	Item Name	Material	Finish / Colour	Load Capacity N	Load Capacity kgf	Weight (g)	Box (pcs)	Carton (pcs)
	110-041-005	5HJU-60M	Stainless Steel (SUS304)	Mirror	200	20.4	130	10	100