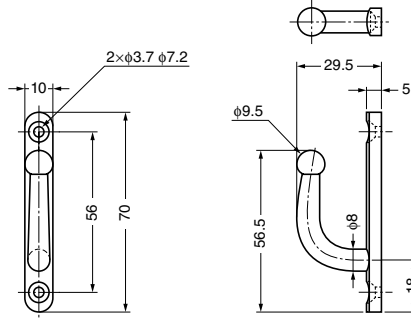


HOOK



KB-F-70



Features

- Hook has ball end, making it safer to use and preventing detachment.

Parts Included

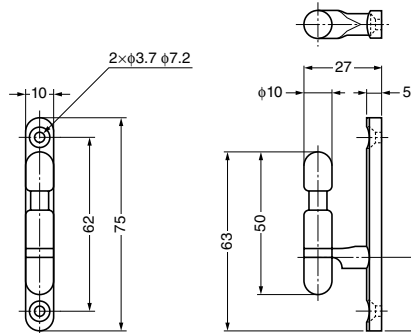
Raised countersunk head tapping screw 3.5x20 (SUS)

Item Code	Item Name	Material	Finish	Weight	Box	Carton
110-020-207	KB-F-70	Plate: Stainless Steel (SUS303) Hook: Stainless Steel (SUS304)	Mirror	48 g	5 pcs	100 pcs

HOOK



KB-F-75



Features

- Hook has ball end, making it safer to use and preventing detachment.

Parts Included

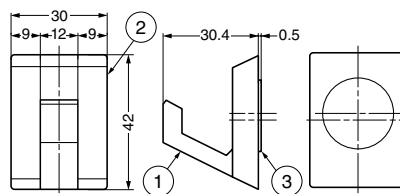
Raised countersunk head tapping screw 3.5x20 (SUS)

Item Code	Item Name	Material	Finish	Weight	Box	Carton
110-020-208	KB-F-75	Plate, Hook: Stainless Steel (SUS303) Arm: Stainless Steel (SUS304)	Mirror	55 g	5 pcs	100 pcs

MAGNETIC HOOK



MJ-30



Features

- Sleekly designed magnet with a straight linear appearance.
- Magnet is covered with silicone rubber, preventing the wall from being scratched while attached.

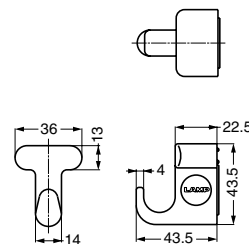
No.	Part Name	Material	Finish
①	Hook	Aluminium Alloy	Anodized
②	Body	ABS	White
③	Magnet	Neodymium	-

Item Code	Item Name	Material	Colour	Load Capacity	Weight	Box	Carton	
110-020-421	MJ-30	Aluminum Alloy, ABS	Silver, White	9.8 N	1 kgf	30 g	20 pcs	400 pcs

MAGNETIC HOOK



MJ-45



Features

- T-shaped magnetic hook made from two magnets, holds position firmly.
- Available in 3 different colors. Recommended for use on desks, lockers, refrigerators, cars and other types of items with similar surfaces.

Item Code	Item Name	Material	Colour	Load Capacity	Weight	Box	Carton	
110-051-070	MJ-45I	ABS/Steel	Ivory	19.6 N	2 kgf	64 g	20 pcs	240 pcs
110-051-071	MJ-45RA	ABS/Steel	Orange	19.6 N	2 kgf	64 g	20 pcs	240 pcs
110-051-073	MJ-45BR	ABS/Steel	Brown	19.6 N	2 kgf	64 g	20 pcs	240 pcs