

## Zwei L STAINLESS STEEL HOOK



ZL-2104

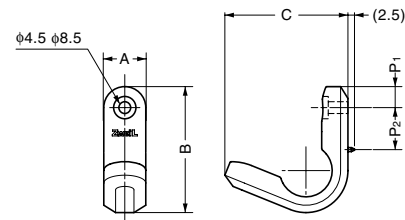


### Features

- Made of highly corrosion resistant SUS316
- Ultrapremium Zwei L finish. Zwei L finish: Using top class polishing technology, these products combine the elegance of Satin with the deep glow of a Mirror.
- Comes with a plug, allowing for installation into hard surfaces like concrete

### Parts Included

- Pin
- Countersunk head wood screw 4.1 × 32 (SUS)
- Plug



Item Code	Item Name	Material	Finish	A	B	C	P <sub>1</sub>	P <sub>2</sub>	Load Capacity	Weight	Box	
110-022-199	ZL-2104-10	Stainless Steel (SUS316)	Zwei L Finish	10	29	29	5	7	160 N	16.3 kgf	63 g	1 pc
110-022-200	ZL-2104-16	Stainless Steel (SUS316)	Zwei L Finish	16	47	47	8	10	475 N	48.4 kgf	114 g	1 pc

## Zwei L STAINLESS STEEL HOOK



ZL-2105

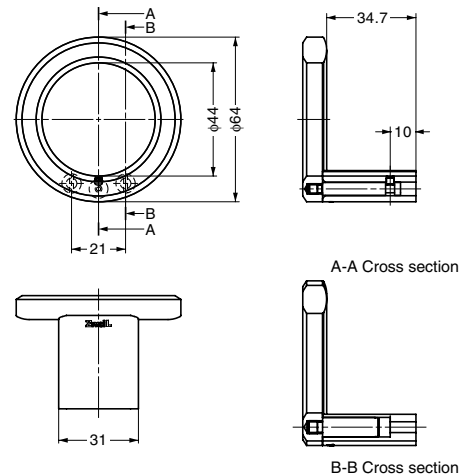


### Features

- Made of highly corrosion resistant SUS316
- Ultrapremium Zwei L finish. Zwei L finish: Using top class polishing technology, these products combine the elegance of Satin with the deep glow of a Mirror.
- Knobs with similar designs: ZL-1909 and ZL-1910. Towel ring with similar design: ZL-3205.
- Comes with an anchor plug, allowing for installation into hard surfaces like concrete or tile.

### Parts Included

- Pan head tapping screw 4x50 (SUS)
- Anchor plug (for wood screw 4.1 φ6 mm hole)
- Hex key



Item Code	Item Name	Material	Load Capacity	Finish	Weight	Box
110-022-198	ZL-2105	Stainless Steel (SUS316)	150N	Zwei L Finish	271 g	1 pc