

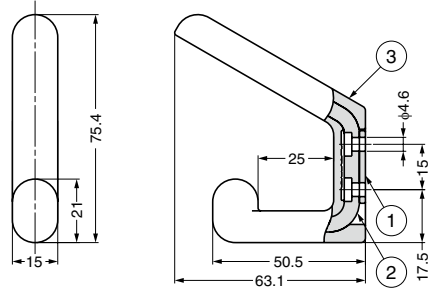
RUBBER HOOK (VIVID COLOUR) PXB-GR05-2

**TEST
METHOD 4**


- Simple and safe design.
- Base made of SUS304 provides high-durability.
- Available in a wide range of colours.

[Parts Included]

- Pan head tapping screw 4×32



No.	Part Name	Material	Finish
①	Base Plate	Stainless Steel (SUS304)	Plain
②	Base	Stainless Steel (SUS304)	Plain
③	Cover	Silicone Rubber (Q)	-

RohS	CAD	Item Code	Item Name	Colour	Load Capacity N	Load Capacity kgf	Weight (g)	Box (pcs)	Carton (pcs)
✓	SD	110-033-287	PXB-GR05-211-RD	Red	100	10.2	66	10	100
✓	SD	110-033-288	PXB-GR05-211-YE	Yellow				10	100
✓	SD	110-033-289	PXB-GR05-211-GN	Green				10	100
✓	SD	110-033-290	PXB-GR05-211-BU	Blue				10	100
✓	SD	110-033-291	PXB-GR05-211-WT	White				10	100

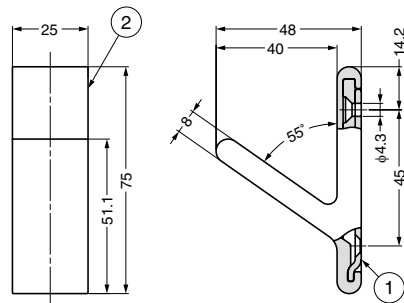
RUBBER HOOK (NORDIC COLOUR) PXB-GN

**TEST
METHOD 4**


- Simple and safe design.
- Base made of SUS304 provides high-durability.
- Designed to fit in all kinds of interior.

[Parts Included]

- Countersunk head tapping screw 4×30



No.	Part Name	Material	Finish
①	Base	Stainless Steel (SUS304)	Plain
②	Cover	Silicone Rubber (Q)	Plain

RohS	CAD	Item Code	Item Name	Colour	Load Capacity N	Load Capacity kgf	Weight (g)	Box (pcs)	Carton (pcs)
✓	SD	110-033-279	PXB-GN05-111-DG	Dark Grey	80	8.1	85	10	100
✓	SD	110-033-278	PXB-GN05-111-BR	Brown				10	100
✓	SD	110-033-277	PXB-GN05-111-BE	Beige				10	100