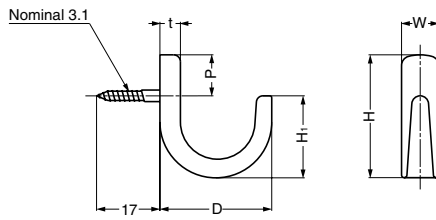


HOOK

TEST METHOD 4 STAINLESS 304 STEEL

C



Item Code	Item Name	Material	Finish	D	W	H	H <sub>1</sub>	P	t	Load Capacity	Weight	Box	Carton
110-026-010	CS-22	Stainless Steel (SUS304)	Mirror	22	9	27	15	9	4	49 N	5 kgf	10 pcs	600 pcs
110-026-011	CL-30	Stainless Steel (SUS304)	Mirror	30	10	33	22	11	5	78.4 N	8 kgf	20 pcs	400 pcs

HOOK

TEST METHOD 4 STAINLESS 316 STEEL

EU

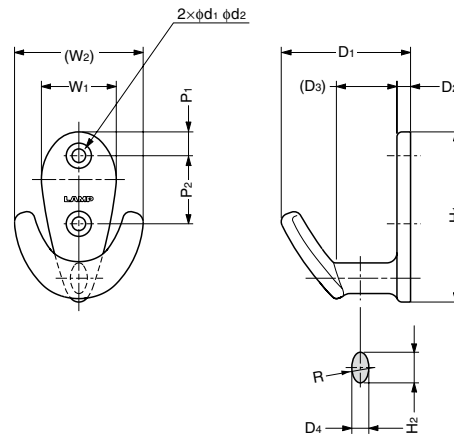


Features

- Can hold 3 items at the same time, using the neck of the hook with the 2 hook ends.
- Double tipped shape well suited for hanging items like hats and capes.

Parts Included

- EU50: Raised countersunk head wood screw 3.5x20 (SUS) (2 pcs)
- EU72: Raised countersunk head wood screw 4.1x20 (SUS) (2 pcs)



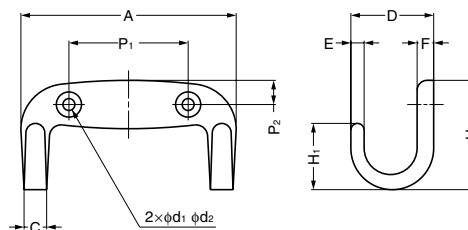
Item Code	Item Name	Material	Finish	H <sub>1</sub>	H <sub>2</sub>	W <sub>1</sub>	W <sub>2</sub>	D <sub>1</sub>	D <sub>2</sub>	D <sub>3</sub>	D <sub>4</sub>	P <sub>1</sub>	P <sub>2</sub>	d <sub>1</sub>	d <sub>2</sub>	Load Capacity	Weight	Box	Carton	
110-020-270	EU-50	Stainless Steel (SCS14)	Mirror	50	9	22	38	38	4	17.8	5	7	20	4	7.4	196 N	20 kgf	42 g	20 pcs	120 pcs
110-020-271	EU-72	Stainless Steel (SCS14)	Mirror	72	14	32	56	52	6	23	8	10	34	4.6	8.6	294 N	30 kgf	118 g	10 pcs	60 pcs

\*SCS14 is equivalent of SUS316.

HOOK

TEST METHOD 4 STAINLESS 304 STEEL

EW



Parts Included

- EW-65E: Raised countersunk head wood screw 3.1x16 (SUS)
- EW-80E: Raised countersunk head wood screw 3.8x20 (SUS)

Item Code	Item Name	Material	Finish	A	P <sub>1</sub>	C	D	E	F	P <sub>2</sub>	H	H <sub>1</sub>	d <sub>1</sub>	d <sub>2</sub>	Load Capacity	Weight	Box	Carton	
110-026-002	EW-65E	Stainless Steel (SCS13)	Mirror	65	36	6.5	25	4	5	7.3	33	20	3.6	7.6	196 N	20 kgf	52 g	10 pcs	100 pcs
110-026-003	EW-80E	Stainless Steel (SCS13)	Mirror	80	44	8	32	5	6	9	42	25	4.2	8.8	196 N	20 kgf	93 g	10 pcs	100 pcs

\*SCS13 is equivalent of SUS304.