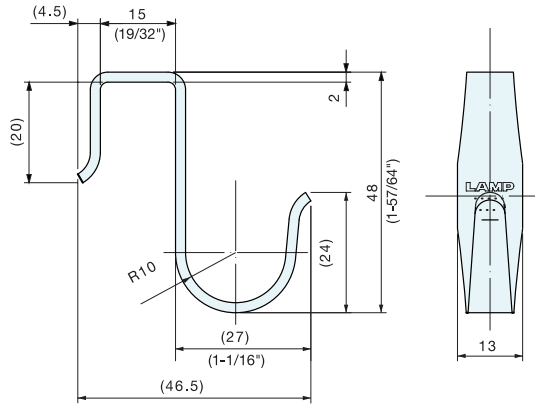


HOOK



RN-50



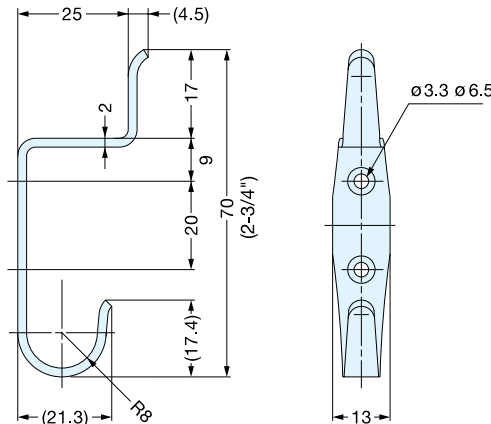
• Designed for use on thin partitions.

Item No.	Load Capacity (kg)	Weight (g)	Box (pcs)	Carton (pcs)	Material	Finish
RN-50	9.4 (20 lbs)	17	40	400	304 Stainless Steel	Satin

DOUBLE HOOK



RI-074



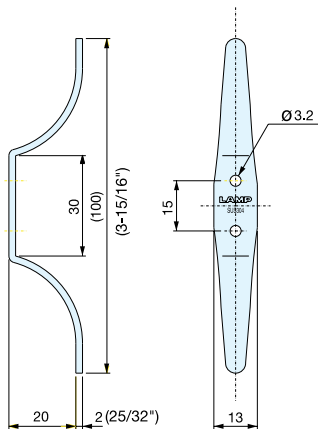
• Unique two-in-one hook.

Item No.	Load Capacity (kg)	Weight (g)	Box (pcs)	Carton (pcs)	Material	Finish
RI-074	5 (11 lbs)	16	40	400	304 Stainless Steel	Satin

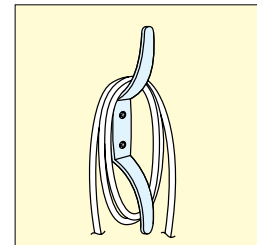
DOUBLE HOOK



RB-102



• Can be used as a light duty tie up cleat.



Item No.	Weight (g)	Box (pcs)	Carton (pcs)	Material	Finish
RB-102	16	40	400	304 Stainless Steel	Satin