

RESIN HOOK

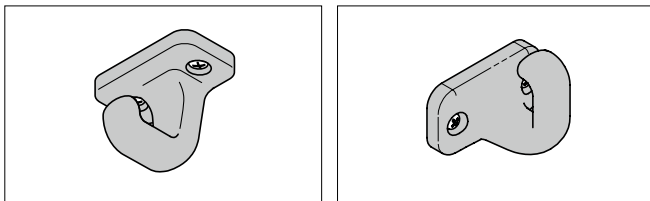
TEST METHOD 4

HK-CM40



*The actual colour may differ from the photo. Check with the actual product.

Application Example



Features

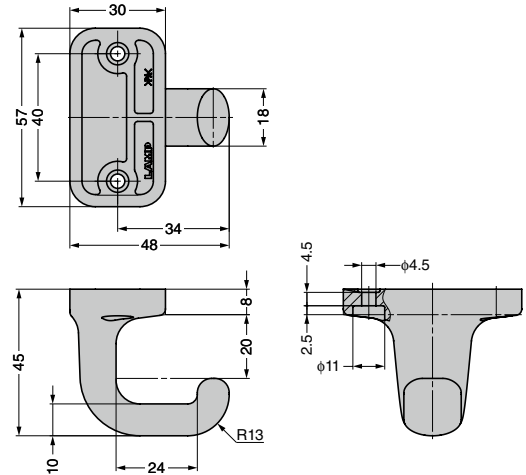
- A resin hook available in a wide variety of colours.
- Can be mounted on either ceilings or walls.

Application

Shops, nurseries and other facilities

Parts Included

Size 4 x 20 cross-recessed pan head tapping screws



CAD	Item Code	Item Name	Colour	Load Capacity				Weight (g)	Box (pcs)	Carton (pcs)
				Plane Horizontal Installation (N)	Plane Horizontal Installation (kgf)	Ceiling Mount (N)	Ceiling Mount (kgf)			
2D/3D	110-036-818	HK-CM40-DG	Dark Grey	78	8	78	8	24	12	120
2D/3D	110-036-819	HK-CM40-BR	Brown						12	120
2D/3D	110-036-820	HK-CM40-WT	White						12	120
2D/3D	110-036-821	HK-CM40-BBU	Bright Blue						12	120
2D/3D	110-036-822	HK-CM40-BRD	Bright Red						12	120

STAINLESS STEEL HOOK

TEST METHOD 19

SUS316

HK-LB

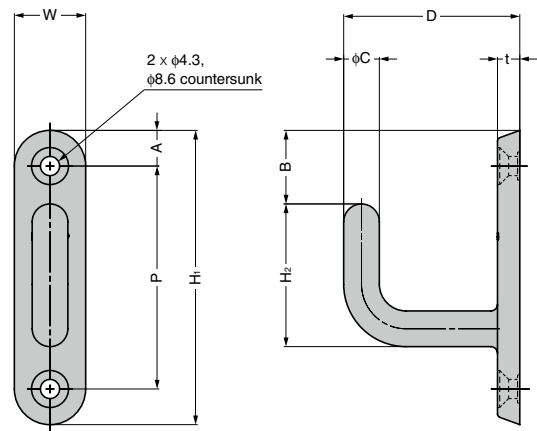


Features

- A stainless steel hook with a thick plate for a high-class look.
- Rounded hook tip ensures safe use.

Parts Included

Size 4 x 32 cross-recessed round flat head tapping screws (stainless steel)



CAD	Item Code	Item Name	Material	Finish	W	H1	H2	P	A	B	C	D	t	Load Capacity N	Load Capacity kgf	Weight (g)
2D/3D	110-041-267	HK-LB50	Stainless Steel (SCS14)	Polished	16	65	32	50	8	16.5	8	39.5	5	150	15.3	46
2D/3D	110-041-268	HK-LB65			18	85	44.5	65	9	20	9	49	6.5			81

*SCS14 is a cast steel material similar to SUS316.