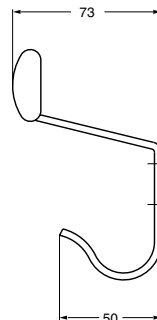
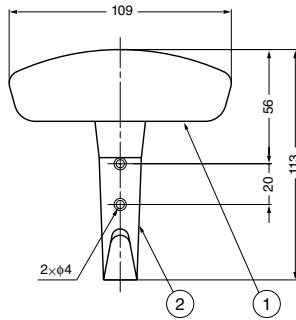


COAT HOOK



SW-B-180

Features

- Made from natural wood but also resistant to water, heat and oil damage. The material is sturdy and wear resistant due special resin processing done on the service.
- Retains the natural beauty of the wood grain and can also be wiped with a dry clothe to add glossiness. In case it gets dirty, polish with wax and it will retain its beauty.

Parts Included

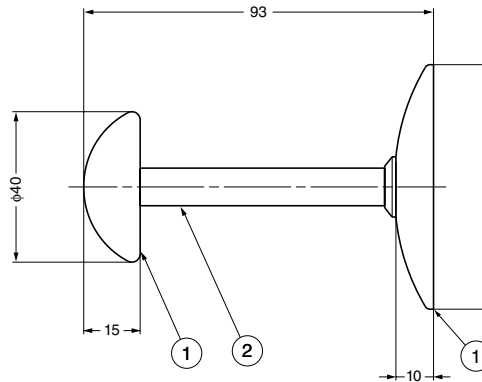
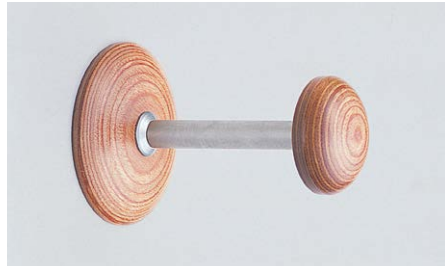
Countersunk round head wood screw 3.5×16 (SUS)

No.	Material	Finish
①	Natural Wood	Plain
②	Stainless Steel (SUS304)	Satin

Item Code	Item Name	Load Capacity	Weight	Box	Carton	
110-020-098	SW-B-180	Top Hook: 49 N, Hook: 98 N	Top Hook: 5 kgf, Hook: 10 kgf	115 g	6 pcs	60 pcs

HOOKS
COAT HOOK

COAT HOOK



SW-B-135

Features

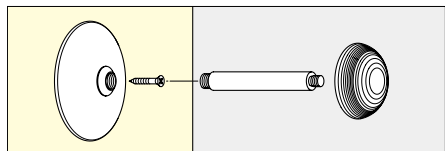
- Made from natural wood but also resistant to water, heat and oil damage. The material is sturdy and wear resistant due special resin processing done on the service.
- Retains the natural beauty of the wood grain and can also be wiped with a dry clothe to add glossiness. In case it gets dirty, polish with wax and it will retain its beauty.

Parts Included

Countersunk head wood screw 3.2×20

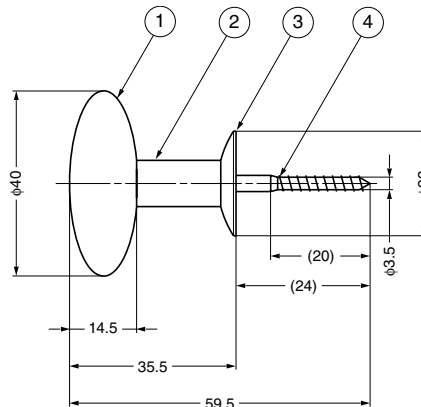
No.	Material	Finish
①	Natural Wood	Plain
②	Brass	Satin Nickel

Installation



Item Code	Item Name	Load Capacity	Weight	Box	Carton	
110-020-017	SW-B-135	68.6 N	7 kgf	100 g	15 pcs	150 pcs

COAT HOOK



SW-G-40

Features

- Made from natural wood but also resistant to water, heat and oil damage. The material is sturdy and wear resistant due special resin processing done on the service.
- Retains the natural beauty of the wood grain and can also be wiped with a dry clothe to add glossiness. In case it gets dirty, polish with wax and it will retain its beauty.

No.	Material	Finish
①	Natural Wood	Plain
②	Stainless Steel (SUS303)	Satin
③	Stainless Steel (SUS304)	Plain
④	Steel	Yellow Zinc Chromate

Item Code	Item Name	Load Capacity	Weight	Box	Carton	
110-020-104	SW-G-40	98 N	10 kgf	31 g	25 pcs	250 pcs