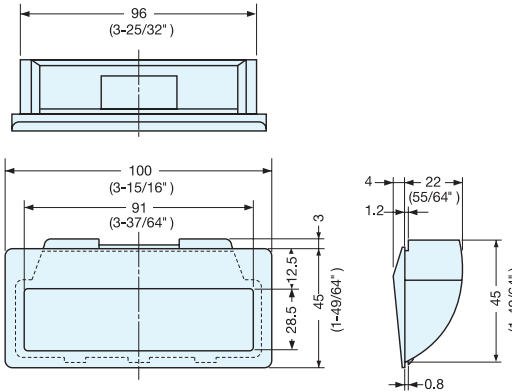


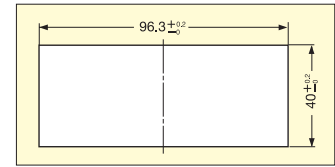
RECESSED PULL



AT-100



• Snap-in type recessed pull for sheet metal thickness 0.8 mm.



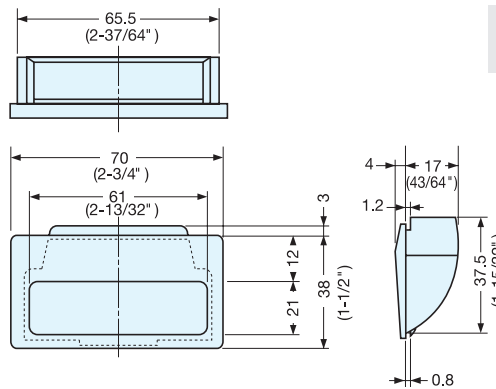
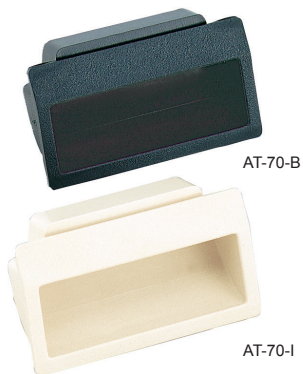
Cut Out Dimensions (Panel thickness: 0.8 mm)

Item No.	Weight (g)	Box (pcs)	Carton (pcs)	Material	Color
AT-100-I	23	50	250	ABS	Ivory (I)
AT-100-BR					Brown (BR)
AT-100-B					Black (B)

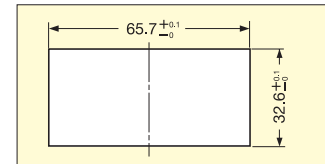
RECESSED PULL



AT-70



• Snap-in type recessed pull for sheet metal thickness 0.8 mm.



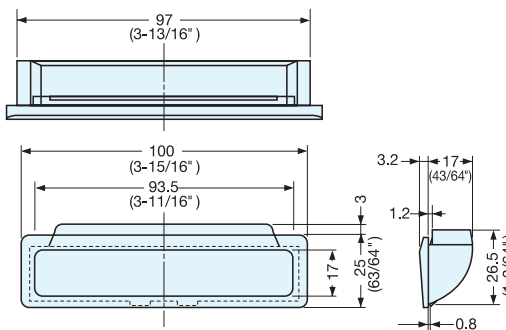
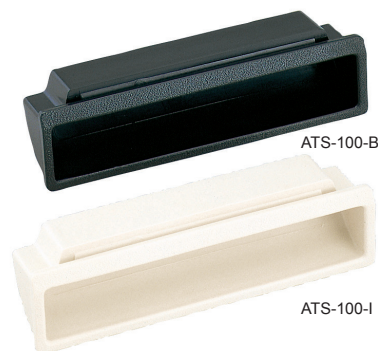
Cut Out Dimensions (Panel thickness: 0.8 mm)

Item No.	Weight (g)	Box (pcs)	Carton (pcs)	Material	Color
AT-70-I	12	100	550	ABS	Ivory (I)
AT-70-BR					Brown (BR)
AT-70-B					Black (B)

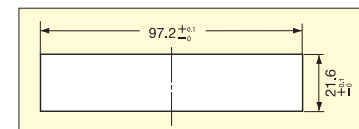
RECESSED PULL



ATS-100



• Snap-in type recessed pull for sheet metal thickness 0.8 mm.



Cut Out Dimensions (Panel thickness: 0.8 mm)

Item No.	Weight (g)	Box (pcs)	Carton (pcs)	Material	Color
ATS-100-I	12.5	100	550	ABS	Ivory (I)
ATS-100-BR					Brown (BR)
ATS-100-B					Black (B)