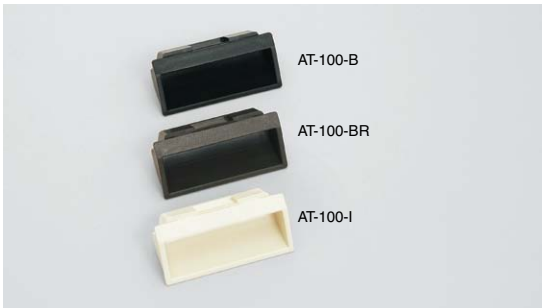
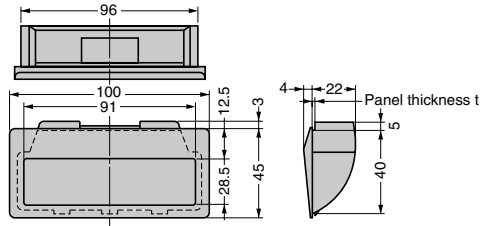


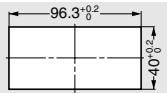
RECESSED PULL AT-100 Quick Installation



● Easy installation by snap-in.



[Cut Out Dimensions]

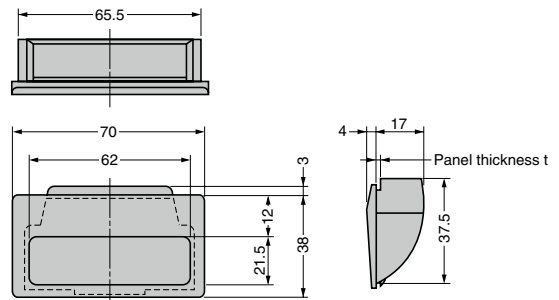


RoHS	CAD	Item Code	Item Name	Material	Colour	Panel Thickness t	Weight (g)	Box (pcs)	Carton (pcs)
✓	3D	100-017-625	AT-100-I	ABS	Ivory	0.8	23	250	-
✓	3D	100-017-626	AT-100-BR		Brown			250	-
✓	3D	100-019-414	AT-100-B		Black			250	-
✓	3D	100-013-211	AT-100-10I		Ivory	1.0	22.6	250	-
✓	3D	100-013-212	AT-100-10BR		Brown			250	-
✓	3D	100-013-213	AT-100-10B		Black			250	-
✓	3D	100-013-214	AT-100-12I		Ivory	1.2	22.4	250	-
✓	3D	100-013-215	AT-100-12BR		Brown			250	-
✓	3D	100-013-216	AT-100-12B		Black			250	-
✓	3D	100-013-217	AT-100-16I		Ivory	1.6	22.3	500	-
✓	3D	100-013-218	AT-100-16BR		Brown			250	-
✓	3D	100-013-219	AT-100-16B		Black			250	-

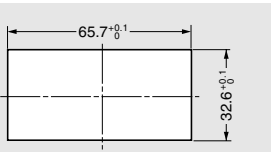
RECESSED PULL AT-70 Quick Installation



● Easy installation by snap-in.



[Cut Out Dimensions]



RoHS	CAD	Item Code	Item Name	Material	Colour	Panel Thickness t	Weight (g)	Box (pcs)	Carton (pcs)
✓	3D	100-015-001	AT-70-I	ABS	Ivory	0.8	12	550	-
✓	3D	100-017-627	AT-70-BR		Brown			550	-
✓	3D	100-015-000	AT-70-B		Black			550	-
✓	3D	100-013-220	AT-70-12I		Ivory	1.2	12.8	1100	-
✓	3D	100-013-221	AT-70-12BR		Brown			1100	-
✓	3D	100-013-222	AT-70-12B		Black			1100	-
✓	3D	100-013-223	AT-70-16I		Ivory	1.6	12.8	1100	-
✓	3D	100-013-224	AT-70-16BR		Brown			1100	-
✓	3D	100-013-225	AT-70-16B		Black			1100	-