

RECESSED PULL



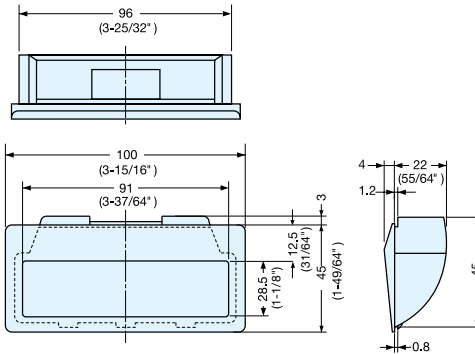
AT-100



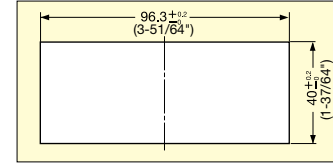
AT-100-B



AT-100-I



- Snap-in type recessed pull for sheet metal thickness 0.8mm.



Item No.	Weight (g)	Box (pcs)	Carton (pcs)
AT-100-I	23	50	250
AT-100-BR			
AT-100-B			

Material	Color
ABS	Ivory (I)/ Brown (BR)/ Black (B)

RECESSED PULL



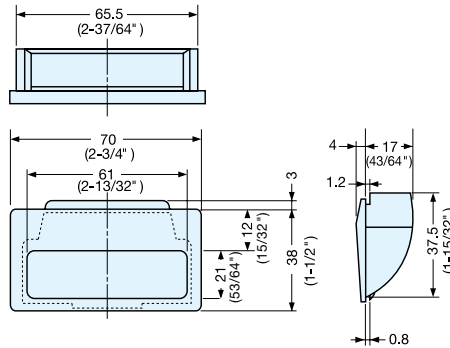
AT-70



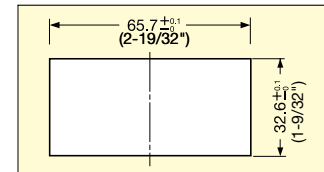
AT-70-B



AT-70-I



- Snap-in type recessed pull for sheet metal thickness 0.8mm.



Item No.	Weight (g)	Box (pcs)	Carton (pcs)
AT-70-I	12	100	550
AT-70-BR			
AT-70-B			

Material	Color
ABS	Ivory (I)/ Brown (BR)/ Black (B)

RECESSED PULL



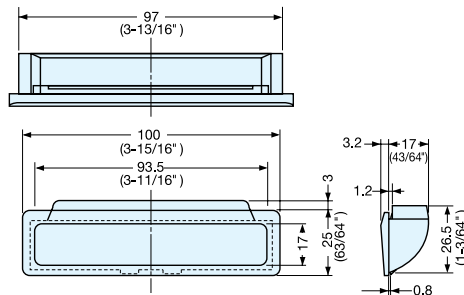
ATS-100



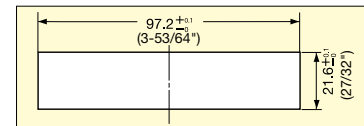
ATS-100-B



ATS-100-I



- Snap-in type recessed pull for sheet metal thickness 0.8mm.



Item No.	Weight (g)	Box (pcs)	Carton (pcs)
ATS-100-I	12.5	100	550
ATS-100-BR			
ATS-100-B			

Material	Color
ABS	Ivory (I)/ Brown (BR)/ Black (B)