

MULTI-PURPOSE LID (DOUBLE DOOR)

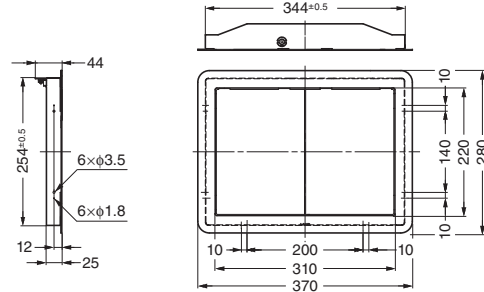
STAINLESS
304
STEEL

AZ-DD310-HL

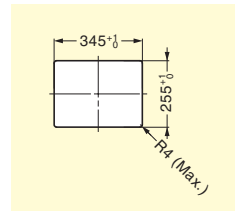


Features

- Synchronized doors allow easy opening.
- Spring loaded for self-closing.
- Corrosion resistant.



Cut Out Dimensions



Item Code	Item Name	Material	Finish	Weight	Box	Carton
210-180-600	AZ-DD310-HL	Stainless Steel (SUS304)	Satin	2000 g	1 pc	10 pcs

MULTI-PURPOSE LID (W/HANDLE)

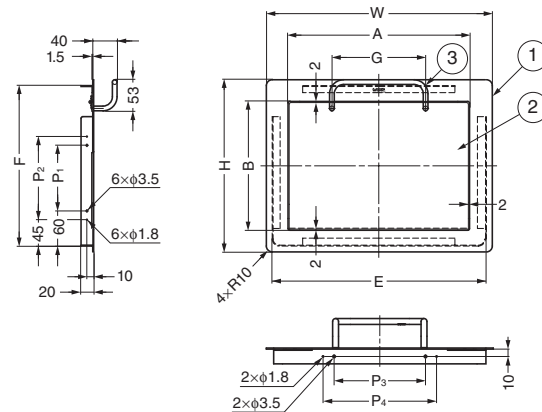
STAINLESS
304
STEEL

AZ-HD

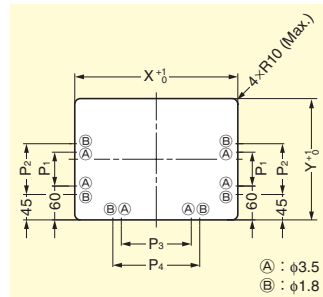


Features

- Easy opening with handle.
- Corrosion resistant.



Cut Out Dimensions



No.	Part Name	Material	Finish
①	Front Plate	Stainless	Satin
②	Door	Steel	Satin
③	Handle	(SUS304)	Satin

RoHS	CAD	Item Code	Item Name	Material	Finish	A	B	W	H	E	F	G	P ₁	P ₂	P ₃	P ₄	X	Y	Weight	Box	Carton
-	2D/3D	210-180-601	AZ-HD230-HL	Stainless Steel (SUS304)	Satin	234	160	308	234	288	214	120	60	90	124	154	289	215	540 g	1 pc	10 pcs
-	2D/3D	210-180-602	AZ-HD310-HL	Stainless Steel (SUS304)	Satin	310	220	384	294	364	274	160	112	142	200	230	365	275	2200 g	5 pcs	10 pcs