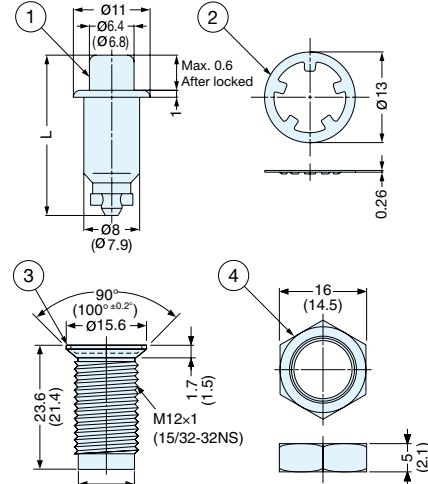


PUSH LOCK FASTENER (MINI/FLUSH TYPE)

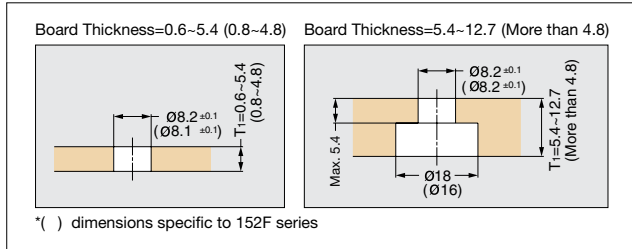
152F, 252F



- 2 piece fastener allows for fast and easy access with complete removal of panel.
 - Attach socket into outer panel/plug into removable panel.
 - Insert plug into socket and push to lock/unlock.
- Flush locked design prevents snagging.
- Fastens plastic or sheet metal panels.



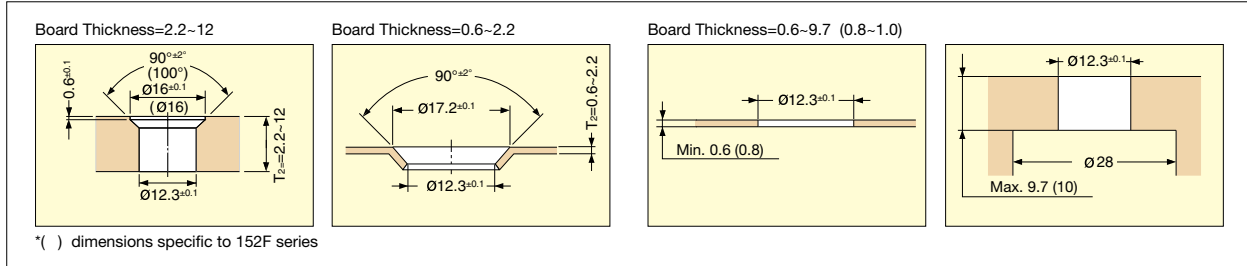
Preparation (Plug)



* () dimensions specific to 152F series

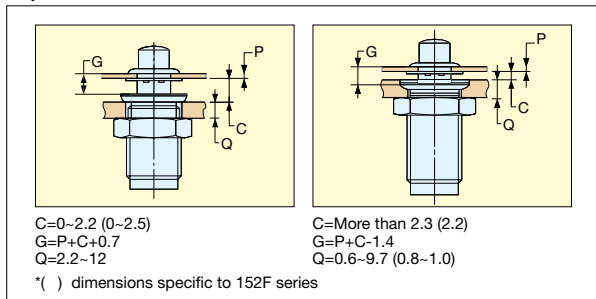
* () dimensions specific to 152F series

Preparation (Socket)

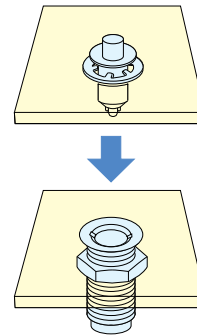


* () dimensions specific to 152F series

Grip Dimensions



* () dimensions specific to 152F series



152F

No.	Part Name	Material	Finish
①	Plug	Zinc Alloy	Chrome
②	Ring	Steel	-
③	Socket	Zinc Alloy	Chromate
④	Nut	Steel	

252F

No.	Part Name	Material	Finish
①	Plug	Polyacetal	Black
②	Ring	Steel	
③	Socket	Polyacetal	
④	Nut		

Item No.	Grip Dimension G	Plug Dimension L	Retaining Force (kg)	Weight (g)
152F-01-1	1.2~2.0	18.5	15 (33 lbs)	6
152F-02-1	2.0~2.8	19.0		
152F-03-1	2.8~3.6	20.0		
152F-04-1	3.6~4.4	20.5		
152F-05-1	4.4~5.2	21.5		
152F-06-1	5.2~6.0	22.5		

Item No.	Grip Dimension G	Plug Dimension L	Retaining Force (kg)	Weight (g)
252F-01-3	1.2~2.0	18.5	15 (33 lbs)	6
252F-02-3	2.0~2.8	19.0		
252F-03-3	2.8~3.6	20.0		
252F-04-3	3.6~4.4	20.5		
252F-05-3	4.4~5.2	21.5		
252F-06-3	5.2~6.0	22.5		