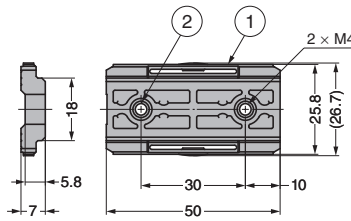


## MINI GUIDE BLOCK (PRELOAD TYPE)

## MR-30CNB



**Specification**  
Temperature: 0°C-40°C

No.	Material	Finish/Colour
①	Special Polyethylene	High Sliding Grade/Grey
②	Stainless Steel (SUS304)	Plain

CAD	Item Code	Item Name	Weight (g)	Compatible Rail	Box (pcs)	Carton (pcs)
ECO	190-037-639	MR-30CNB	7	MRS30	50	1,000

### Features

- Preload type which minimises rattling.
- Made from special polyethylene resin with excellent sliding properties, eliminating the need for grease or oil.
- The special polyethylene resin has a high chemical resistance, providing for reliable usage with a wide range of chemicals.
- UL94 HB grade flame resistance.
- The MR-30CNB is designed only for use with the MRS30 Mini Guide Rail.

### Remarks

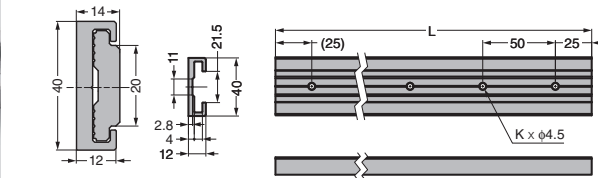
This block is not designed to secure moving objects. Never use the Mini Guide Rail in a vertical or slanted position, as this is dangerous and may cause moving objects to slide or fall. Operating force to the guide block changes depending on the temperature.

## MINI GUIDE RAIL

## MRS40



### Combined Specifications



Sample combination: MR-40CS  
\*Same specifications apply to MR-40CNB preload type

### Features

- Made from a lightweight, durable aluminium alloy.
- Anodised for excellent corrosion resistance.
- Recyclable.

### Remarks

The inside of the installation holes and the edges on both sides are not anodized.

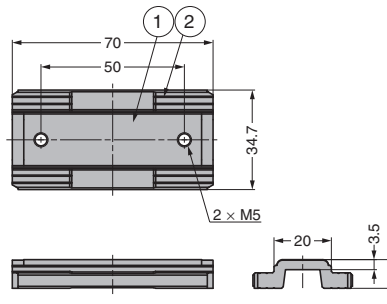
### Recommended Screw

Size M4 hex socket button bolts or size M4 hex socket low head bolts, size M4 cross-recessed binding screws

CAD	Item Code	Item Name	Rail Length (L)	Number of Holes (K)	Material	Finish	Weight (g)	Compatible Carriage	Box (pcs)
ECO	190-037-686	MRS40-400	400	8	Aluminium Alloy	Silver Anodising	236 per rail	MR-40CS, MR-40CNB	50
ECO	190-037-687	MRS40-800	800	16			472 per rail		25
ECO	190-037-688	MRS40-2000	2000	40			1180 per rail		10

## MINI GUIDE BLOCK

## MR-40CS



### Features

- Made from special polyethylene resin with excellent sliding properties, eliminating the need for grease or oil.
- The special polyethylene resin has a high chemical resistance, providing for reliable usage with a wide range of chemicals.
- UL94 HB grade flame resistance.
- The MR-40CS is designed only for use with the MRS40 Mini Guide Rail.

### Specification

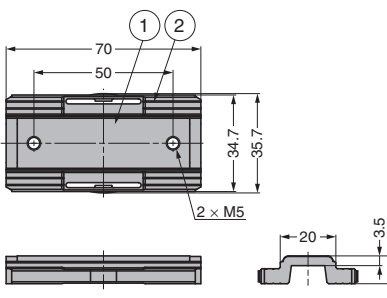
Temperature: 0°C-40°C

CAD	Item Code	Item Name	Weight (g)	Compatible Rail	Box (pcs)	Carton (pcs)
ECO	190-041-092	MR-40CS	41	MRS40	50	1,000

No.	Material	Finish/Colour
①	Special Polyethylene	High Sliding Grade/Grey
②	Stainless Steel (SUS304)	Gloss Barrel Polished

## MINI GUIDE BLOCK (PRELOAD TYPE)

## MR-40CNB



### Features

- Preload type which minimises rattling.
- Made from special polyethylene resin with excellent sliding properties, eliminating the need for grease or oil.
- The special polyethylene resin has a high chemical resistance, providing for reliable usage with a wide range of chemicals.
- UL94 HB grade flame resistance.
- The MR-40CNB is designed only for use with the MRS40 Mini Guide Rail.

### Remarks

This block is not designed to secure moving objects. Never use the Mini Guide Rail in a vertical or slanted position, as this is dangerous and may cause moving objects to slide or fall. Operating force to the guide block changes depending on the temperature.

### Specification

Temperature: 0°C-40°C

No.	Material	Finish/Colour
①	Special Polyethylene	High Sliding Grade/Grey
②	Stainless Steel (SUS304)	Gloss Barrel Polished

CAD	Item Code	Item Name	Weight (g)	Compatible Rail	Box (pcs)	Carton (pcs)
ECO	190-041-093	MR-40CNB	40	MRS40	50	1,000