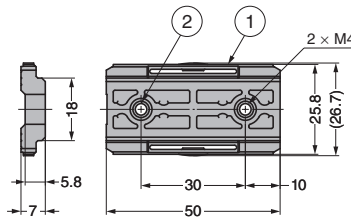


MINI GUIDE BLOCK (PRELOAD TYPE)

MR-30CNB



Specification
Temperature: 0°C-40°C

No.	Material	Finish/Colour
①	Special Polyethylene	High Sliding Grade/Grey
②	Stainless Steel (SUS304)	Plain

CAD	Item Code	Item Name	Weight (g)	Compatible Rail	Box (pcs)	Carton (pcs)
ECO	190-037-639	MR-30CNB	7	MRS30	50	1,000

Features

- Preload type which minimises rattling.
- Made from special polyethylene resin with excellent sliding properties, eliminating the need for grease or oil.
- The special polyethylene resin has a high chemical resistance, providing for reliable usage with a wide range of chemicals.
- UL94 HB grade flame resistance.
- The MR-30CNB is designed only for use with the MRS30 Mini Guide Rail.

Remarks

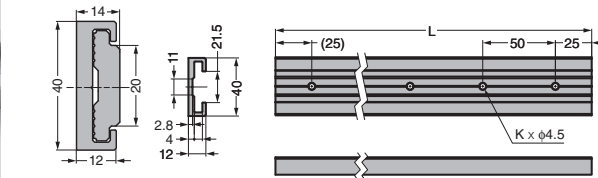
This block is not designed to secure moving objects. Never use the Mini Guide Rail in a vertical or slanted position, as this is dangerous and may cause moving objects to slide or fall. Operating force to the guide block changes depending on the temperature.

MINI GUIDE RAIL

MRS40



Combined Specifications



Sample combination: MR-40CS
*Same specifications apply to MR-40CNB preload type

Features

- Made from a lightweight, durable aluminium alloy.
- Anodised for excellent corrosion resistance.
- Recyclable.

Remarks

The inside of the installation holes and the edges on both sides are not anodized.

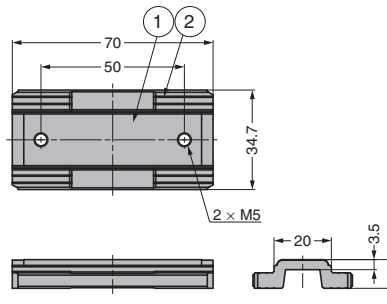
Recommended Screw

Size M4 hex socket button bolts or size M4 hex socket low head bolts, size M4 cross-recessed binding screws

CAD	Item Code	Item Name	Rail Length (L)	Number of Holes (K)	Material	Finish	Weight (g)	Compatible Carriage	Box (pcs)
ECO	190-037-686	MRS40-400	400	8	Aluminium Alloy	Silver Anodising	236 per rail	MR-40CS, MR-40CNB	50
ECO	190-037-687	MRS40-800	800	16			472 per rail		25
ECO	190-037-688	MRS40-2000	2000	40			1180 per rail		10

MINI GUIDE BLOCK

MR-40CS



Features

- Made from special polyethylene resin with excellent sliding properties, eliminating the need for grease or oil.
- The special polyethylene resin has a high chemical resistance, providing for reliable usage with a wide range of chemicals.
- UL94 HB grade flame resistance.
- The MR-40CS is designed only for use with the MRS40 Mini Guide Rail.

Specification

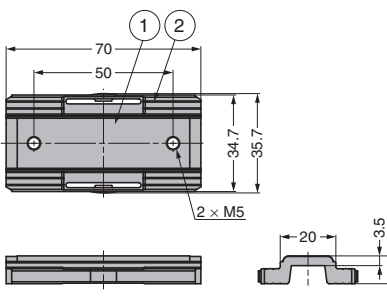
Temperature: 0°C-40°C

CAD	Item Code	Item Name	Weight (g)	Compatible Rail	Box (pcs)	Carton (pcs)
ECO	190-041-092	MR-40CS	41	MRS40	25	250

No.	Material	Finish/Colour
①	Special Polyethylene	High Sliding Grade/Grey
②	Stainless Steel (SUS304)	Gloss Barrel Polished

MINI GUIDE BLOCK (PRELOAD TYPE)

MR-40CNB



Features

- Preload type which minimises rattling.
- Made from special polyethylene resin with excellent sliding properties, eliminating the need for grease or oil.
- The special polyethylene resin has a high chemical resistance, providing for reliable usage with a wide range of chemicals.
- UL94 HB grade flame resistance.
- The MR-40CNB is designed only for use with the MRS40 Mini Guide Rail.

Remarks

This block is not designed to secure moving objects. Never use the Mini Guide Rail in a vertical or slanted position, as this is dangerous and may cause moving objects to slide or fall. Operating force to the guide block changes depending on the temperature.

Specification

Temperature: 0°C-40°C

No.	Material	Finish/Colour
①	Special Polyethylene	High Sliding Grade/Grey
②	Stainless Steel (SUS304)	Gloss Barrel Polished

CAD	Item Code	Item Name	Weight (g)	Compatible Rail	Box (pcs)	Carton (pcs)
ECO	190-041-093	MR-40CNB	40	MRS40	25	250