

FULL EXTENSION SLIDE



SNS27D



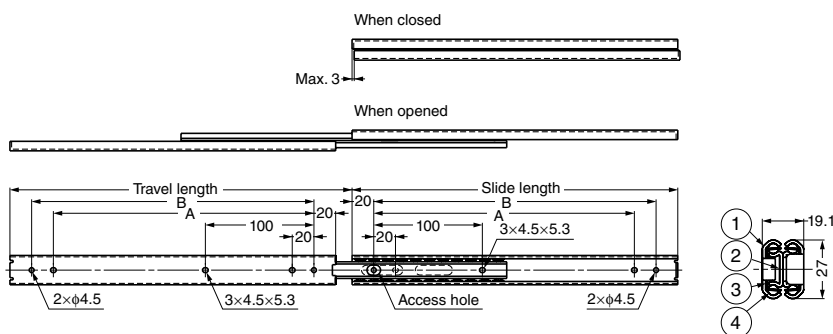
Features

- Full extension (3 members).
- Non-handed.

Recommended Screws

M4 pan head tapping screw

DRAWER SLIDES



No.	Part Name	Material	Finish
①	Outer Rail	Stainless Steel (SUS304)	Plain
②	Inner Rail	Stainless Steel (SUS304)	Plain
③	Retainer	Stainless Steel (SUS304)	Plain
④	Balls	Stainless Steel (SUS440)	-

Sold by piece.

Item Code	Item Name	Slide Length	Travel Length	A	B	Load Capacity N	Load Capacity kgf	Weight	Box
190-110-184	SNS27D-20	200	216.8	140	160	373 N/pair	38 kgf/pair	0.67 kg/pair	20 pcs
190-110-185	SNS27D-25	250	266	190	210	363 N/pair	37 kgf/pair	0.83 kg/pair	20 pcs
190-110-186	SNS27D-30	300	315.2	240	260	353 N/pair	36 kgf/pair	1 kg/pair	20 pcs
190-110-187	SNS27D-35	350	364.4	290	310	333 N/pair	34 kgf/pair	1.16 kg/pair	20 pcs
190-110-188	SNS27D-40	400	413.6	340	360	314 N/pair	32 kgf/pair	1.32 kg/pair	20 pcs
190-110-189	SNS27D-45	450	462.8	390	410	294 N/pair	30 kgf/pair	1.48 kg/pair	20 pcs
190-110-190	SNS27D-50	500	512	440	460	275 N/pair	28 kgf/pair	1.642 kg/pair	20 pcs

3/4 EXTENSION SLIDE



SNS35S



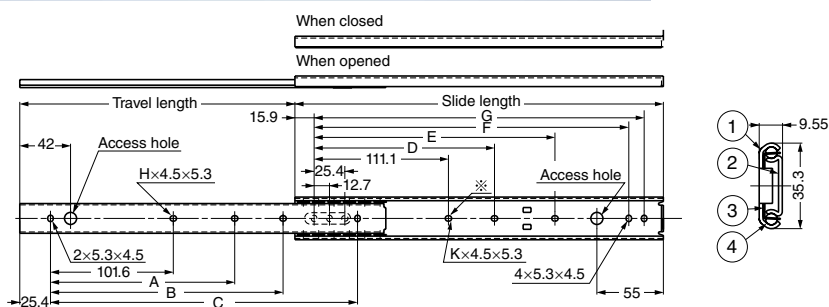
Features

- 3/4 extension (2 members).
- Non-handed.

Recommended Screws

M4 pan head tapping screw

FULL EXTENSION SLIDE / 3/4 EXTENSION SLIDE



※ The hole cannot be used as a fitting hole for the following items.
 • SNS35S-45
 • SNS35S-50
 • SNS35S-55
 • SNS35S-60
 • SNS35S-65
 • SNS35S-70

No.	Part Name	Material	Finish
①	Outer Rail	Stainless Steel (SUS304)	Plain
②	Inner Rail	Stainless Steel (SUS304)	Plain
③	Retainer	Stainless Steel (SUS304)	Plain
④	Balls	Stainless Steel (SUS440)	-

Sold by piece.

Item Code	Item Name	Slide Length	Travel Length	A	B	C	D	E	F	G	H	K	Load Capacity N	Load Capacity kgf	Weight	Box
190-110-191	SNS35S-30	304.8	228.6	-	152.4	254	-	149.2	260.3	273	2	3	481 N/pair	49 kgf/pair	0.62 kg/pair	40 pcs
190-110-192	SNS35S-35	355.6	279.4	-	203.2	304.8	-	200	311.1	323.8	2	3	461 N/pair	47 kgf/pair	0.72 kg/pair	40 pcs
190-110-193	SNS35S-40	406.4	304.8	-	254	355.6	-	250.8	361.9	374.6	2	3	422 N/pair	43 kgf/pair	0.82 kg/pair	40 pcs
190-110-194	SNS35S-45	457.2	330.2	203.2	304.8	406.4	212.7	301.6	412.7	425.4	3	4	402 N/pair	41 kgf/pair	0.92 kg/pair	40 pcs
190-110-195	SNS35S-50	508	381	228.6	355.6	457.2	238.1	352.4	463.5	476.2	3	4	363 N/pair	37 kgf/pair	1.02 kg/pair	40 pcs
190-110-196	SNS35S-55	558.8	406.4	254	406.4	508	263.5	403.2	514.3	527	3	4	333 N/pair	34 kgf/pair	1.12 kg/pair	40 pcs
190-110-197	SNS35S-60	609.6	431.8	279.4	457.2	558.8	288.9	454	565.1	577.8	3	4	294 N/pair	30 kgf/pair	1.22 kg/pair	40 pcs
190-110-198	SNS35S-65	660.4	482.6	304.8	508	609.6	314.3	504.8	615.9	628.6	3	4	265 N/pair	27 kgf/pair	1.32 kg/pair	40 pcs
190-110-199	SNS35S-70	711.2	508	330.2	558.8	660.4	339.7	555.6	666.7	679.4	3	4	245 N/pair	25 kgf/pair	1.42 kg/pair	40 pcs