

ALL STAINLESS STEEL MINI SLIDE (FULL EXTENSION)

LOAD CAPACITY 98 - 118 N/pair

L=R SUS

SCR3-15S



B type shown.

Features

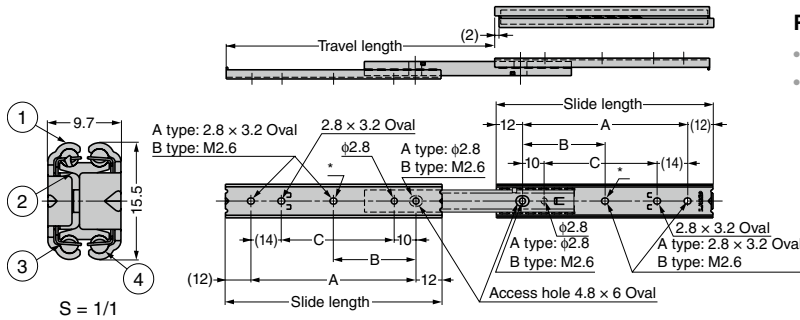
- Full extension (3 members).
- Installed with ball creep prevention mechanism which also provides stable and consistent operating force.
- Only 15.5 mm in height, designed to reduce distortion or bending when extended, which makes it suitable for a variety of different applications.
- Uses only registered NSF H1 Food Grade Lubricant grease.

Remarks

- Types with slide length 80 mm have no holes marked with *
- In order to protect the rails and retainers from strong shocks, please install a stopper separately.

Recommended Screws

- M2.6 low head screw (for A type)
- M2.6 screw (for B type) Screw length = Panel thickness + Max. 1.7 mm



No.	Part Name	Material
①	Outer Member	
②	Inner Member	Stainless Steel (SUS304)
③	Retainer	
④	Balls	Stainless Steel (SUS440)

Sold individually

CAD	Item Code	Item Name	Holes	Slide Length	Travel Length	A	B	C	Vertical Installation		Weight (g/pc)	Box (pcs)	Carton (pcs)
									Load Capacity N/pair	Load Capacity kgf/pair			
	190-034-800	SCR3-15S-80A	A Type	80	97	56	-	32	98	10	36	-	-
	190-034-801	SCR3-15S-100A	(Through	100	125	76	38	52	108	11	45	-	-
	190-034-802	SCR3-15S-150A	Hole)	150	177	126	63	102	118	12	70	-	-
	190-034-803	SCR3-15S-80B	B Type	80	97	56	-	32	98	10	36	-	-
	190-034-804	SCR3-15S-100B	(Screw	100	125	76	38	52	108	11	45	-	-
	190-034-805	SCR3-15S-150B	Hole)	150	177	126	63	102	118	12	70	-	-

DRAWER SLIDES

ALL STAINLESS STEEL MINI SLIDE (FULL EXTENSION)