

### 3/4 EXTENSION SLIDE

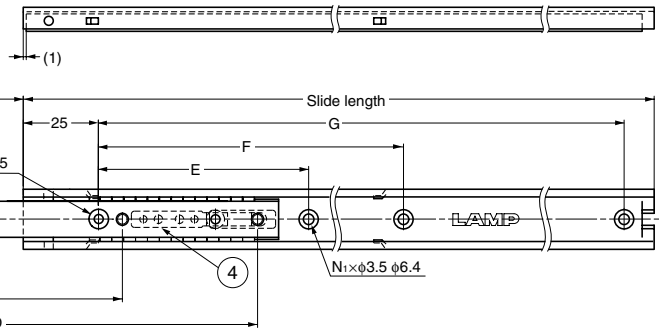
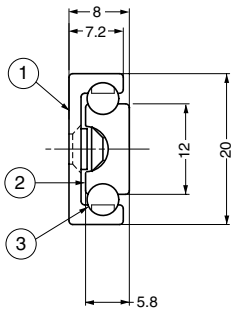
HOLD OPENED L=R

AR2-K



**Features**

- 3/4 extension (2 members).
- Non-handed.
- The drawer can be held in the fully opened position.
- Recommended Screw: M3



No.	Part Name	Material	Finish
①	Outer Rail	Aluminium Alloy	Anodized Silver
②	Inner Rail	Aluminium Alloy	Anodized Silver
③	Balls	Steel	-
④	Detent Catch	Stainless Steel (SUS304)	-

Sold by piece.

Item Code	Item Name	Slide Length	Travel Length	A	B	C	D	E	F	G	N <sub>1</sub>	N <sub>2</sub>	Load Capacity N	Load Capacity kgf	Weight	Box
190-112-251	AR2-K200	200	110	25	60	160	-	150	-	-	2	3	125 N/pair	12.7 kgf/pair	64 g	500 pcs
190-112-252	AR2-K300	300	170	45	100	230	-	130	250	-	3	3	110 N/pair	11.2 kgf/pair	97 g	250 pcs
190-112-253	AR2-K400	400	230	45	150	270	330	130	280	350	4	4	95 N/pair	9.7 kgf/pair	130 g	200 pcs
190-112-254	AR2-K500	500	290	45	190	340	430	130	280	450	4	4	85 N/pair	8.7 kgf/pair	162 g	200 pcs

### FULL EXTENSION SLIDE

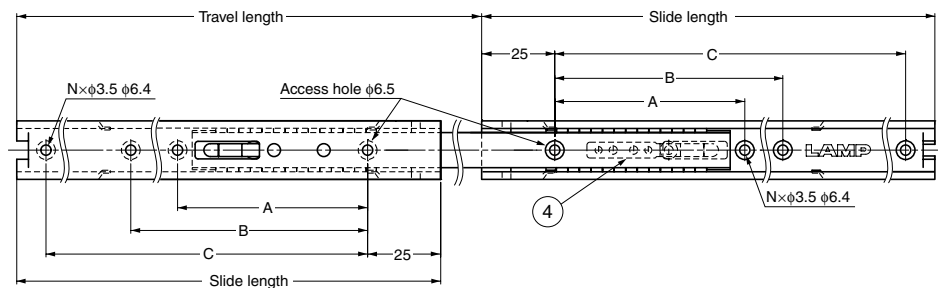
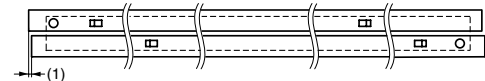
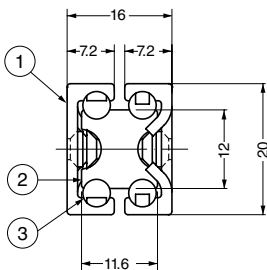
HOLD OPENED L=R

AR3-K



**Features**

- Full extension (3 members).
- Non-handed.
- The drawer can be held in the fully opened position.
- Recommended Screw: M3



No.	Part Name	Material	Finish
①	Outer Rail	Aluminium Alloy	Anodized Silver
②	Inner Rail	Aluminium Alloy	Anodized Silver
③	Balls	Steel	-
④	Detent Catch	Stainless Steel (SUS304)	-

Sold by piece.

Item Code	Item Name	Slide Length	Travel Length	A	B	C	N	Load Capacity N	Load Capacity kgf	Weight	Box
190-112-255	AR3-K200	200	214	150	-	-	2	105 N/pair	10.7 kgf/pair	130 g	250 pcs
190-112-256	AR3-K300	300	314	130	250	-	3	100 N/pair	10.2 kgf/pair	198 g	125 pcs
190-112-257	AR3-K400	400	414	130	280	350	4	90 N/pair	9.2 kgf/pair	263 g	100 pcs
190-112-258	AR3-K500	500	514	130	280	450	4	85 N/pair	8.7 kgf/pair	304 g	100 pcs