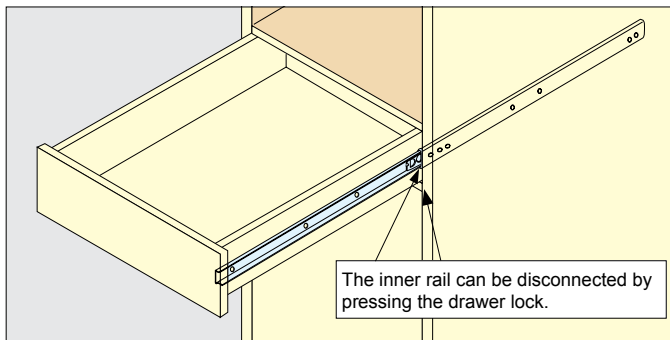
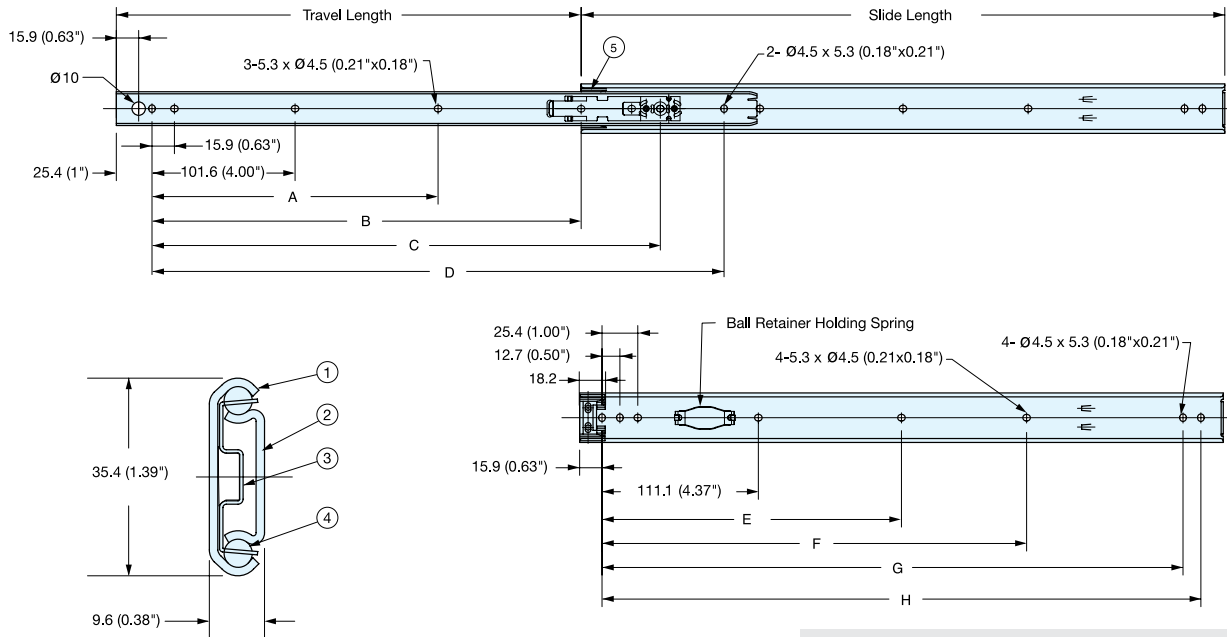


# ESR-8 STAINLESS STEEL DRAWER SLIDE TWO MEMBER 3/4 EXTENSION FRONT DISCONNECT POSITIVE LOCK



- 3/4 extension.
  - Positive lock.
  - Front disconnect.
  - Non-handed.
- \* Mount with M4 or #8 Binding, Pan, or Truss head screws.

25.4 mm=1"

No.	Part	Material
①	Outer Rail	304 Stainless Steel
②	Inner Rail	
③	Retainer	
④	Balls	
⑤	Guide Block	Polyacetal

Item No.	Slide Length	Travel Length	A	B	C	D	E	F	G	H	# of Holes		Load Rating (kg/pair)	Weight (g)	Box (pcs)
											Inner Rail	Outer Rail			
ESR-8-12	304.8 (12")	228.6 ( 9" )	-	152.4	259.5	-	-	149.2	260.3	273	4	7	49 (107 lbs)	310	20
ESR-8-14	355.6 (14")	279.4 ( 11" )	-	203.2	310.3	-	-	200	311.1	323.8	4	7	47 (103 lbs)	370	
ESR-8-16	406.4 (16")	304.8 ( 12" )	-	203.2	335.7	355.6	-	250.8	361.9	374.6	4	7	43 (94 lbs )	420	
ESR-8-18	457.2 (18")	330.2 ( 13" )	203.2	-	366.1	406.4	212.7	301.6	412.7	425.4	5	8	41 (90 lbs )	470	
ESR-8-20	508 (20")	381 ( 15" )	228.6	-	411.9	457.2	238.1	352.4	463.5	476.2	5	8	37 (81 lbs )	500	
ESR-8-22	558.8 (22")	406.4 ( 16" )	254	-	437.3	508	263.5	403.2	514.3	527	5	8	34 (74 lbs )	550	
ESR-8-24	609.6 (24")	432.8 (17-1/32")	279.4	-	463.7	558.8	288.9	454	565.1	577.8	5	8	30 (66 lbs )	600	
ESR-8-26	660.4 (26")	482.6 ( 19" )	304.8	-	513.5	609.6	314.3	504.8	615.9	628.6	5	8	27 (59 lbs )	670	
ESR-8-28	711.2 (28")	508 ( 20" )	330.2	-	558.8	660.4	339.7	555.6	666.7	679.4	5	8	25 (55 lbs )	680	

## MOUNTING INSTRUCTIONS

1. Separate the drawer and cabinet member by pressing the drawer lock and firmly pulling through the friction resistance.
2. Mount the outer rails to the cabinet by positioning the front end (where the plastic member is located) to the front edge of the cabinet. If the drawer is to be mounted flush with the cabinet, please allow space for the thickness of the drawer face when installing outer rails.
3. Mount the inner rails to the drawer by positioning the front end (where the access hole is located) of the slide behind the face of the drawer.