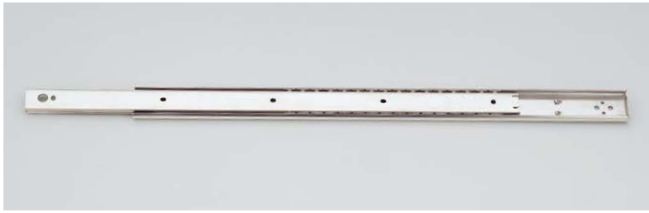


3/4 EXTENSION SLIDE



ESR1

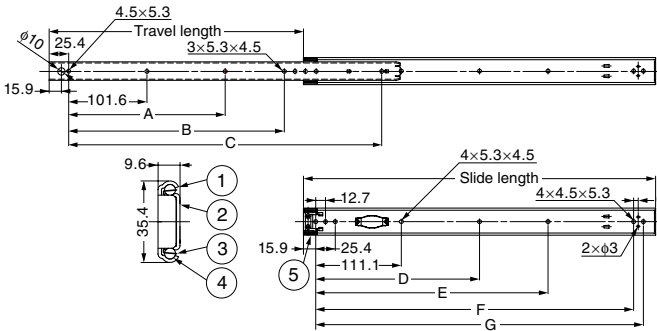


Features

- 3/4 extension slide (2 members).
- The drawer can be stopped at any position by the resistance of the ball retainer. The drawer can be detached by pulling outward.

Recommended Screws

M4 binding screw or M4 truss screw



No.	Part Name	Material	Finish/Color
①	Outer Rail	Stainless Steel (SUS304)	Plain
②	Inner Rail	Stainless Steel (SUS304)	Plain
③	Retainer	Stainless Steel (SUS304)	Plain
④	Balls	Stainless Steel (SUS304)	-
⑤	Guide	Polyacetal (POM)	White

Sold by piece.

Item Code	Item Name	Slide Length	Travel Length	A	B	C	D	E	F	G	Load Capacity	Weight	Box	
190-111-301	ESR1-12	304.8	228.6	-	152.4	254	-	149.2	260.3	273	481 N/pair	49 kgf/pair	0.32 kg/pc	30 pcs
190-111-302	ESR1-14	355.6	279.4	-	203.2	304.8	-	200	311.1	323.8	461 N/pair	47 kgf/pair	0.37 kg/pc	30 pcs
190-111-303	ESR1-16	406.4	304.8	-	254	355.6	-	250.8	361.9	374.6	422 N/pair	43 kgf/pair	0.43 kg/pc	30 pcs
190-111-304	ESR1-18	457.2	330.2	203.2	304.8	406.4	212.7	301.6	412.7	425.4	402 N/pair	41 kgf/pair	0.48 kg/pc	30 pcs
190-111-305	ESR1-20	508	381	228.6	355.6	457.2	238.1	352.4	463.5	476.2	363 N/pair	37 kgf/pair	0.54 kg/pc	30 pcs
190-111-306	ESR1-22	558.8	406.4	254	406.4	508	263.5	403.2	514.3	527	333 N/pair	34 kgf/pair	0.60 kg/pc	30 pcs
190-111-307	ESR1-24	609.6	432.8	279.4	457.2	558.8	288.9	454	565.1	577.8	294 N/pair	30 kgf/pair	0.66 kg/pc	30 pcs
190-111-308	ESR1-26	660.4	482.6	304.8	508	609.6	314.3	504.8	615.9	628.6	265 N/pair	27 kgf/pair	0.71 kg/pc	30 pcs
190-111-309	ESR1-28	711.2	508	330.2	558.8	660.4	339.7	555.6	666.7	679.4	245 N/pair	25 kgf/pair	0.76 kg/pc	30 pcs

DRAWER SLIDES

3/4 EXTENSION SLIDE

3/4 EXTENSION SLIDE



ESR2



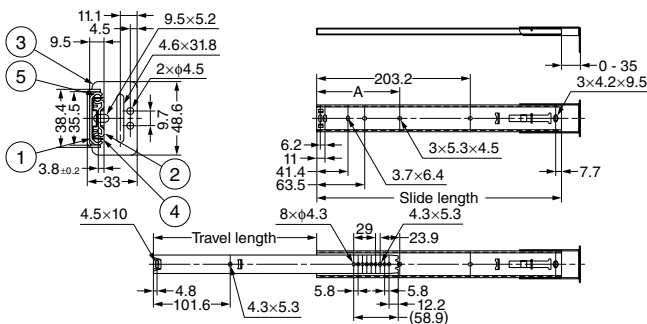
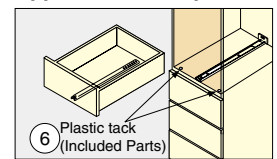
Features

- Under-mount type. Ideal for limited spaces.
- 3/4 extension slide (2 members).
- The drawer can be stopped at any position by the resistance of the ball retainer. The drawer can be detached by pulling outward.

Parts Included

Two plastic tacks.

Application Example



No.	Part Name	Material	Finish
①	Outer Rail	Stainless Steel (SUS304)	Plain
②	Inner Rail	Stainless Steel (SUS304)	Plain
③	Bracket	Stainless Steel (SUS304)	Plain
④	Retainer	Stainless Steel (SUS304)	Plain
⑤	Balls	Stainless Steel (SUS304)	-
⑥	Plastic Tack	Plastic	-

Sold by piece.

Item Code	Item Name	Slide Length	Travel Length	A	Load Capacity N	Load Capacity kgf	Weight	Box
190-111-310	ESR2-12	323.8	215.9	109.9	78 N/piece	8 kgf/piece	0.4 kg/pc	20 pcs
190-111-311	ESR2-14	374.6	266.7	160.7	74 N/piece	7.5 kgf/piece	0.43 kg/pc	20 pcs
190-111-312	ESR2-16	425.4	304.8	-	69 N/piece	7 kgf/piece	0.48 kg/pc	20 pcs
190-111-313	ESR2-18	476.2	317.5	262.3	69 N/piece	7 kgf/piece	0.53 kg/pc	20 pcs
190-111-314	ESR2-20	527	368.3	313.1	64 N/piece	6.5 kgf/piece	0.57 kg/pc	20 pcs
190-111-315	ESR2-22	577.8	419.1	363.9	59 N/piece	6 kgf/piece	0.62 kg/pc	20 pcs
190-111-316	ESR2-24	628.6	444.5	414.7	54 N/piece	5.5 kgf/piece	0.66 kg/pc	20 pcs
190-111-317	ESR2-26	679.4	495.3	465.5	49 N/piece	5 kgf/piece	0.71 kg/pc	20 pcs

