

FOLDING DOOR SYSTEM

FD30-F



WARDROBE & CABINET DOOR HARDWARE

FOLDING DOOR SYSTEM

	a	b	c	d
Item Code	250-017-905	250-017-908	250-018-312	250-018-316
Item Name	FD30FKP	FD30UKP	FD30URP-1P	FD30UMP-1P
Application	Standard Folding (One Pivot Fixed)	Standard Folding with Roller (One Pivot Fixed)	Slidable (For Partition Use)	Slidable (For Cabinet Use)
Door Width	Max. 450 mm			
Door Height	Max. 2400 mm			
Door Thickness	Min. 30 mm			
Door Weight	Max. 15 kg/Door			

Parts Set (Per Door)		Necessary Parts	
		Please refer to "Qty a - d" for parts included in each set.	
Item Code	Item Name	Description	
a	250-017-905	FD30FKP	For Pivoted Folding Door
b	250-017-908	FD30UKP	For Pivoted Folding w/ Roller
c	250-018-312	FD30URP-1P	For Slidable Folding (For Partition Use)
d	250-018-316	FD30UMP-1P	For Slidable Folding (For Cabinet Use)

Parts Included

No.	Qty				Part Name	Dimensions	Description
	a	b	c	d			
1	1	-	-	-	Upper Pivot		Item Code : 250-017-162 Item Name : FD30-FTP • Material : Steel / Polyamide • Finish : Chromate / White
2	1	-	-	-	Guide Roller		Item Code : 250-017-140 Item Name : FD30-FGRU • Material : Steel / Polyamide • Finish : Chromate / White, Black
3	-	2	2	-	Upper Roller (Recessed Mount)		Item Code : 250-026-120 Item Name : FD30-WRH • Material : Zinc Alloy Polyacetal • Finish : Chromate / Light Brown
4	-	-	-	2	Upper Roller (Side Mount)		Item Code : 250-017-142 Item Name : FD30-WRU • Material : Steel / Polyacetal • Finish : Chromate / Brown
5	-	1	-	-	Stopper Block		Item Code : 250-017-139 Item Name : FD30-HSB • Material : Polyacetal • Finish : Dark Brown
6	1	1	-	-	Bottom Pin		Item Code : 250-017-163 Item Name : FD30-FBP • Material : Steel / Polyacetal • Finish : Chromate / White
7	-	-	2	2	Guide Pin		Item Code : 250-017-164 Item Name : FD30-FGR • Material : Steel / Polyacetal • Finish : Chromate / White
8	1	1	1	1	Pin Insert Jig		Item Code : 250-017-169 Item Name : FD30-FSJ
9	1	1	-	-	Spanner Wrench		Item Code : 250-017-168 Item Name : FD30-FSP
10	-	-	-	-	Top Bracket		Item Code : 250-017-165 Item Name : FD30-FSK • Material : Steel • Finish : Chromate

No.	Qty				Part Name	Dimensions	Description
	a	b	c	d			
11	1	-	-	-	Pivot Bracket (Upper)		Item Code : 250-017-141 Item Name : FD30-FSKU • Material : Steel • Finish : Chromate
12	1	1	-	-	Pivot Bracket (Bottom)		Item Code : 250-017-170 Item Name : FD30-FPU • Material : Steel • Finish : Chromate
13	-	1	-	-	Fixing Plate		Item Code : 250-017-144 Item Name : FD30-FKK • Material : Steel • Finish : Chromate
14	-	-	2	2	Upper Stopper		Item Code : 250-017-143 Item Name : FD30-FTST-DB • Material : Steel / Polyacetal • Finish : Chromate / Brown
15	-	-	-	2	Bottom Stopper		Item Code : 250-019-297 Item Name : FD30-FTST-GR • Material : Steel / Polyacetal • Finish : Chromate / Grey
16	-	-	2	2	Centre Hinge (Surface Mount, Angle Adjustable)		Item Code : 250-017-166 Item Name : FD30-FBKS • Material : Steel / Polyacetal • Finish : Chromate / Brown
17	3	3	-	-	Centre Hinge (Recessed Mount, Angle Adjustable, W/Detent Stop)		Item Code : 250-017-146 Item Name : FD30-CHM • Material : Steel • Finish : Chromate / Black
18	-	-	-	3	Centre Hinge (Door Edge, Angle Adjustable, W/Detent Stop)		Item Code : 250-019-899 Item Name : FD30-CHM-WT • Material : Steel • Finish : Chromate / White
19	-	-	-	3	Centre Hinge (Surface Mount, Angle Adjustable)		Item Code : 250-017-147 Item Name : FD30-CHH • Material : Steel • Finish : Steel / Black
20	-	-	-	3	Centre Hinge (Recessed Mount, Angle Adjustable, W/Detent Stop)		Item Code : 250-019-900 Item Name : FD30-CHH-WT • Material : Steel • Finish : White
21	-	-	-	3	Centre Hinge (Door Edge, Angle Adjustable, W/Detent Stop)		Item Code : 250-017-167 Item Name : FD30-CHK • Material : Zinc Alloy • Finish : Dark Brown
22	-	-	-	3	Centre Hinge (Surface Mount, Angle Adjustable)		Item Code : 250-019-901 Item Name : FD30-CHK-WT • Material : Zinc Alloy • Finish : White

Upper Track		Necessary Parts			
No.	Installation	Length	Item Code	Dimensions	Description
23	Surface Mount	910 mm	250-017-962		<ul style="list-style-type: none"> Material Aluminium Finish Anodized Silver
			FD30-TRM910SIL		
			250-017-131		
			FD30-TRM1820SIL		
24	Surface Mount	1820 mm	250-017-966		<ul style="list-style-type: none"> Material Aluminium Finish Anodized Silver
			FD30-TRM2730SIL		
25	Surface Mount	2730 mm	250-017-970		<ul style="list-style-type: none"> Material Aluminium Finish Anodized Silver
			FD30-TRM3640SIL		
27	Recessed Mount	910 mm	250-017-964		<ul style="list-style-type: none"> Material Aluminium Finish Anodized Silver
			FD30-TRH910SIL		
			250-017-133		
			FD30-TRH1820SIL		
28	Recessed Mount	1820 mm	250-017-968		<ul style="list-style-type: none"> Material Aluminium Finish Anodized Silver
			FD30-TRH2730SIL		
29	Recessed Mount	2730 mm	250-017-972		<ul style="list-style-type: none"> Material Aluminium Finish Anodized Silver
			FD30-TRH3640SIL		
30	Recessed Mount	3640 mm	250-017-964		<ul style="list-style-type: none"> Material Aluminium Finish Anodized Silver
			FD30-TRH3640SIL		

Bottom Guide Track		Necessary Parts for <input type="checkbox"/> c <input type="checkbox"/> d			
No.	Installation	Length	Item Code	Dimensions	Description
31	Floor Surface Mount	910 mm	250-018-080		<ul style="list-style-type: none"> Material Aluminium Finish Anodized Silver
			FD30-FBRM910SIL		
			250-017-160		
			FD30-FBRM1820SIL		
32	Floor Surface Mount	1820 mm	250-018-082		<ul style="list-style-type: none"> Material Aluminium Finish Anodized Silver
			FD30-FBRM2730SIL		
33	Floor Surface Mount	2730 mm	250-018-084		<ul style="list-style-type: none"> Material Aluminium Finish Anodized Silver
			FD30-FBRM3640SIL		
35	Floor Recessed Mount	910 mm	250-018-074		<ul style="list-style-type: none"> Material Aluminium Finish Anodized Silver
			FD30-FBRH910SIL		
			250-017-158		
			FD30-FBRH1820SIL		
36	Floor Recessed Mount	1820 mm	250-018-076		<ul style="list-style-type: none"> Material Aluminium Finish Anodized Silver
			FD30-FBRH2730SIL		
37	Floor Recessed Mount	2730 mm	205-018-078		<ul style="list-style-type: none"> Material Aluminium Finish Anodized Silver
			FD30-FBRH3640SIL		
38	Floor Recessed Mount	3640 mm	250-018-074		<ul style="list-style-type: none"> Material Aluminium Finish Anodized Silver
			FD30-FBRH3640SIL		

Cover Cap		Necessary Parts for <input type="checkbox"/> b <input type="checkbox"/> c			
No.	Item Code	Item Name	Installation	Description	
39	250-018-785	Cover Cap for Upper Roller		End Cap (For Roller <input type="checkbox"/> 3)	<ul style="list-style-type: none"> Material Polypropylene Finish White
	FD30-WRH-CP-WT				<ul style="list-style-type: none"> Material Polypropylene Finish Light Brown
250-017-138	<ul style="list-style-type: none"> Material Polypropylene Finish Dark Brown 				
FD30-WRH-CP-LBR				<ul style="list-style-type: none"> Material Polypropylene Finish Dark Brown 	
41	250-018-786	Cover Cap for Upper Roller		End Cap (For Roller <input type="checkbox"/> 3)	<ul style="list-style-type: none"> Material Polypropylene Finish Dark Brown
	FD30-WRH-CP-DB				<ul style="list-style-type: none"> Material Polypropylene Finish Dark Brown

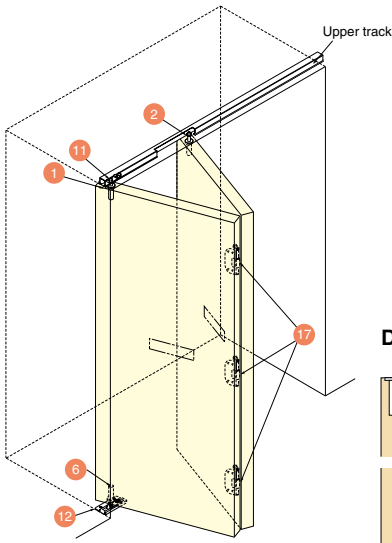
Centre Hinge		Necessary Parts			
No.	Item Code	Installation	Angle Adjustment	Detent	
17	250-017-146		Surface Mount		37° Angle
	FD30-CHM				
18	250-019-899		Surface Mount		37° Angle
	FD30-CHM-WT				
19	250-017-147		Recessed Mount		50° Angle
	FD30-CHH				
20	250-019-900		Recessed Mount		50° Angle
	FD30-CHH-WT				
21	250-017-167		Door Edge Recessed Mount		47° Angle
	FD30-CHK				
22	250-019-901		Door Edge Recessed Mount		47° Angle
	FD30-CHK-WT				

Optional Parts					
No.	Item Code	Installation	Description		
42	250-017-171		Guide Pin (Magnetic)	<ul style="list-style-type: none"> Material Polycarbonate Neodymium Finish Dark Brown 	
	FD30-FMF				
43	250-017-173		Guide Pin (Pin)	<ul style="list-style-type: none"> Material Polyamide / Steel Finish White / Chromate 	
	FD30-FTF				
44	250-017-172		Latch Unit (To be Used When Ordering <input type="checkbox"/> c, <input type="checkbox"/> d)	<ul style="list-style-type: none"> Material Polyacetal Finish Dark Brown 	
	FD30-FHL				

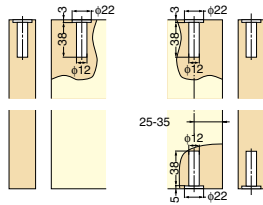
WARDROBE & CABINET DOOR HARDWARE

FOLDING DOOR SYSTEM

a Pivoted Folding Door - Surface Mount Hinge



Door Preparation



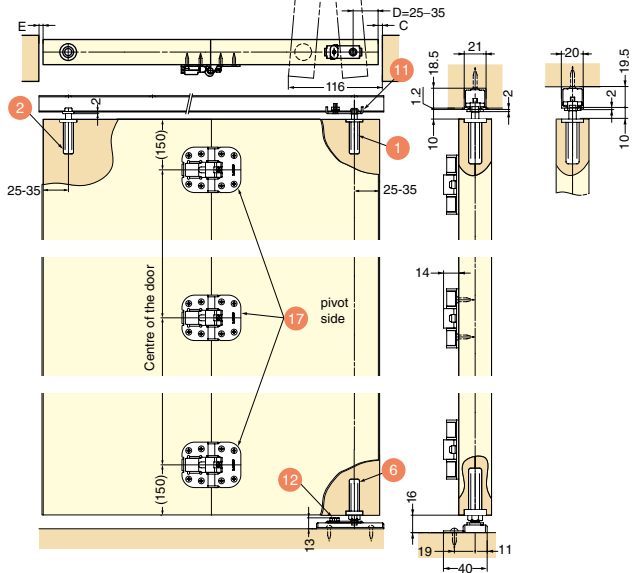
Gap Required - Door and Frame

Door Thickness	Gap C Min.	Gap E Min. in Case D=30			
		Width 300	Width 350	Width 400	Width 450
30	4.0	3.5	3.0	2.7	2.4
35	5.2	4.3	3.7	3.3	3.0
40	6.5	5.2	4.5	4.0	3.6

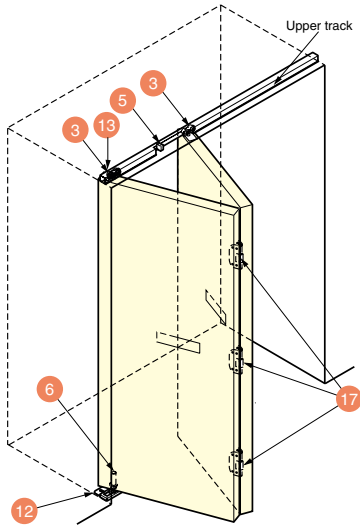
Features

Centre Hinge has angle adjustment, detent stop feature and is mounted on surface at back side of door for easy installation.

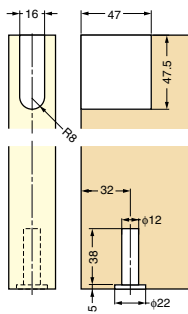
Installation Example (In case of 40 mm thick, 450 mm wide door)



b Pivoted Folding Door (With Roller) - Surface Mount Hinge



Door Preparation



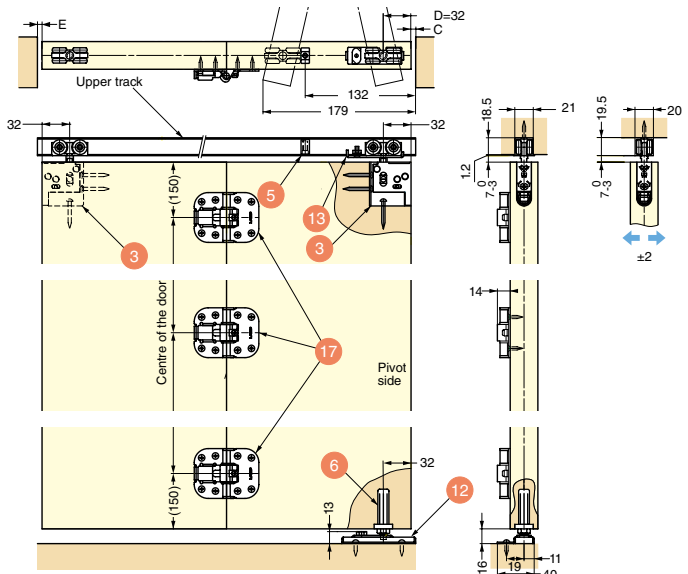
Gap Required - Door and Frame

Door Thickness	Gap C Min.	Gap E Min. in Case D=30			
		Width 300	Width 350	Width 400	Width 450
30	4.0	3.5	3.0	2.7	2.4
35	5.2	4.3	3.7	3.3	3.0
40	6.5	5.2	4.5	4.0	3.6

Features

Centre Hinge has angle adjustment, detent stop feature and is mounted on surface at back side of door for easy installation.

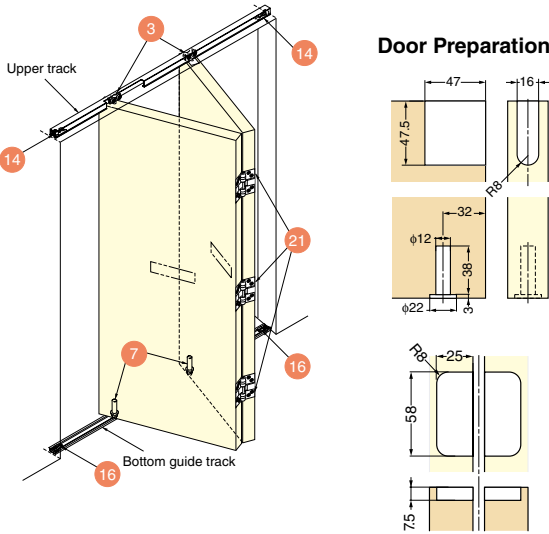
Installation Example (In case of 40 mm thick, 450 mm wide door)



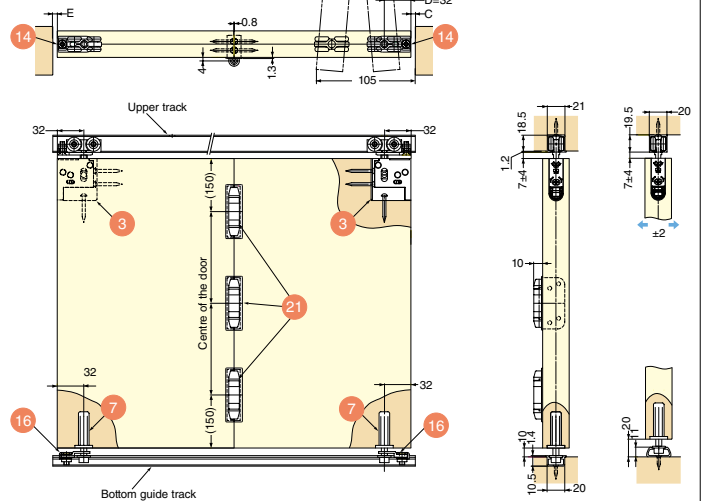
c Slidable Folding Door – Door Edge Recessed Mount Hinge

Features

- Centre Hinge has angle adjustment, detent stop feature and is mounted in recess at door edge which is invisible from both side.
- Detent centre hinge allows the folding door to slide freely for easy access and to maximize the space.



**Installation Example
(In case of 40 mm thick,
450 mm wide door)**



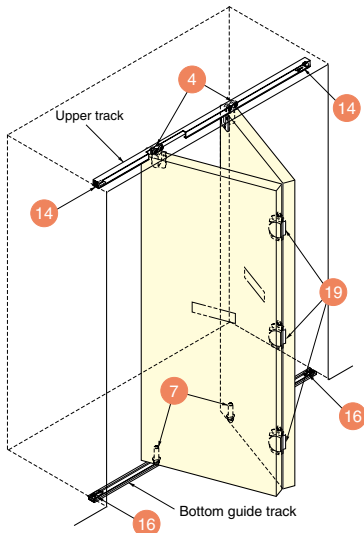
Gap Required - Door and Frame

Door Thickness	Gap C Min.	Gap E Min. in Case D=30			
		Width 300	Width 350	Width 400	Width 450
30	4.0	3.5	3.0	2.7	2.4
35	5.2	4.3	3.7	3.3	3.0
40	6.5	5.2	4.5	4.0	3.6

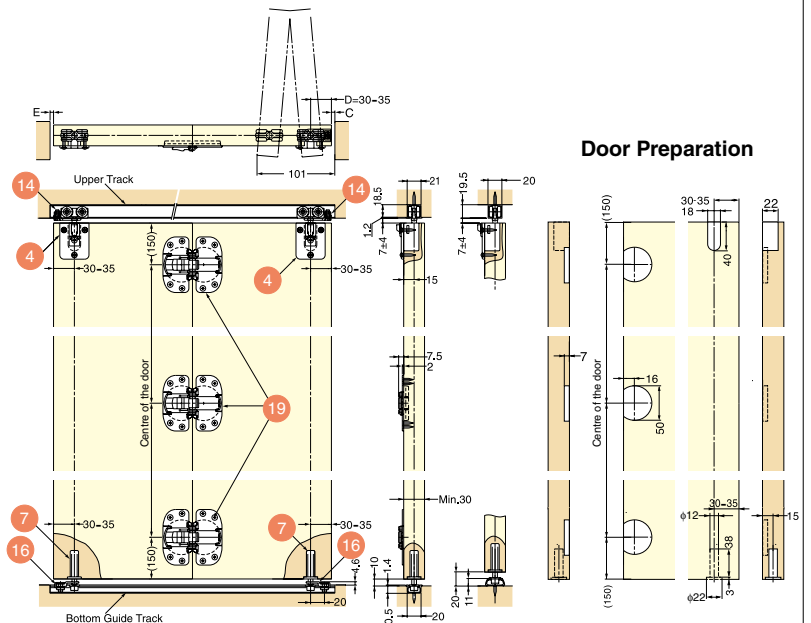
d Slidable Folding Door – Back Side Recessed Mount Hinge

Features

- Centre Hinge has angle adjustment, detent stop feature and is mounted in recess at back side of door.
- Detent centre hinge allows the folding door to slide freely for easy access and to maximize the space.



**Installation Example
(In case of 40 mm thick, 450 mm wide door)**



Gap Required - Door and Frame

Door Thickness	Gap C Min.	Gap E Min. in Case D=30			
		Width 300	Width 350	Width 400	Width 450
30	3.6	2.4	2.1	1.9	1.7
35	5.8	3.0	2.6	2.3	2.1
40	8.5	3.5	3.1	2.7	2.5