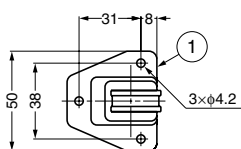


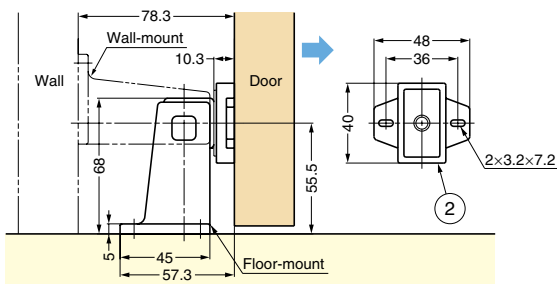
DOOR STOPPER



KI, KBR



No.	Part Name	Material	Colour
①	Body	Polyamide (PA)	Ivory, Brown
②	Strike	Polyamide (PA)	Ivory, Brown



Features

- Holds door open with a powerful magnet.
- Floor mounted or wall mounted.
- No need to crouch down and latch the door stopper to hold door open.
- Easy installation: large body allows for firm holding even without perfect alignment.

Parts Included

- Countersunk head wood screw 3.8x20 (Body)
- Countersunk head wood screw 3.1x13 (Mounting plate)

Sold Separately

Anchor bolt KA (below)

Anchor bolt KA (Sold Separately)

Item Code	Item Name	Weight	Box	Carton
270-050-101	KA	114 g	25 pcs	100 pcs

Item Code	Item Name	Colour	Magnetic Force	Weight	Box	Carton
270-172-006	KI	Ivory	118 N	12 kgf	100 g	10 pcs
270-172-005	KBR	Brown	118 N	12 kgf	100 g	10 pcs

STEP-ON DOOR HOLDER



DJ-175

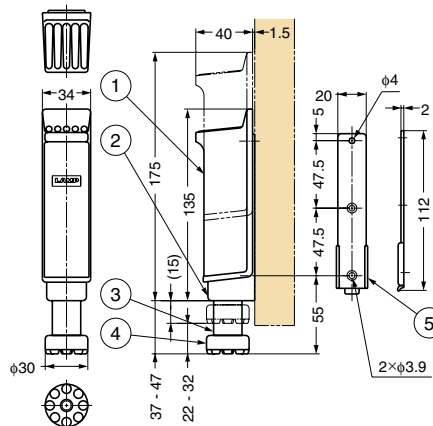


Features

- Holds door at any position.
- Easy to operate: Simply step on the top to set or release the door holding mechanism.
- Cover prevents ingress of dust into adjustable shaft.
- Uses a spring to hold door firmly.
- Individual components are installed separately making installation easy.
- Installation screw is not visible post-installation.

Parts Included

- Binding head tapping screw 3.5x16 (1 pc)
- Countersunk head tapping screw 3.5x16 (2 pcs)



No.	Part Name	Material	Finish/Colour
①	Step	Polyamide (PA)	Brown
②	Body	Polycetal (POM)	Ivory
③	Shaft	Polycetal (POM)	Ivory
④	Glide	Rubber	Brown
⑤	Mounting Plate	Steel	Yellow Zinc Chromate

Item Code	Item Name	Weight	Box	Carton
270-050-098	DJ-175	215 g	10 pcs	50 pcs