

DOOR STOPPER

HT-G70



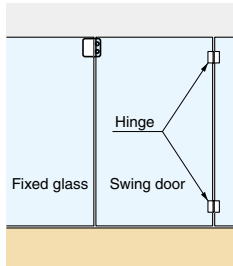
Features

- For use on single swing glass doors.
- No need for glass processing. Simply press the packing (PVC material) onto the glass to fix it in place.
- Can be used in areas with frequent contact to water including shower booths.

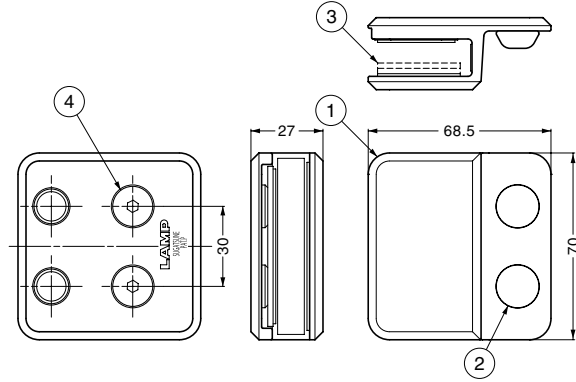
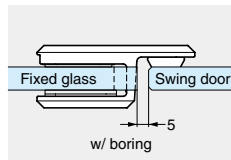
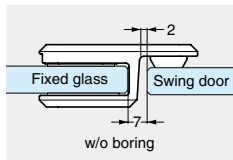
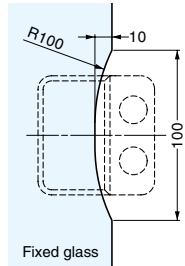
Remarks

- Do not use in upper glass transom.
- Soft-closing hinges/self-closing (function within final 25 degrees) hinges are recommended to use with to prevent from excessive impact.

Installation



Cut Out Dimensions



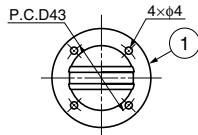
No.	Part Name	Material	Finish/Colour
①	Body	Stainless Steel (SCS13)	Mirror
②	Pad	Silicone (Si)	Natural
③	Gasket	Vinyl Chloride Resin (PVC)	Clear
④	Screw	Stainless Steel (SUS303)	Plain

Item Code	Item Name	Glass Thickness	Weight	Carton
270-021-701	HT-G70	8, 10, 12	374 g	40 pcs

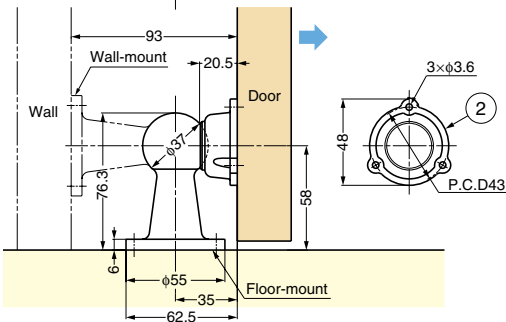
DOOR STOPPER



MI, MBR



No.	Part Name	Material	Colour
①	Body	Polycarbonate (PC)	Ivory, Brown
②	Strike	ABS	Ivory, Brown



Features

- Holds door open with a powerful magnet.
- Floor mounted or wall mounted.
- No need to crouch down and latch the door stopper to hold door open.
- Body is ball shaped, allowing for a firm hold even if alignment is slightly off.

Parts Included

- Rounded head wood screw 3.5×22 (Body)
- Rounded head wood screw 3.1×16 (Mounting plate)

Sold Separately

Anchor bolt MA (below)

Anchor bolt MA (Sold Separately)

Item Code	Item Name	Weight	Box	Carton
270-050-100	MA	114 g	25 pcs	100 pcs

Item Code	Item Name	Colour	Magnetic Force	Weight	Box	Carton
270-172-008	MI	Ivory	137 N	14 kgf	165 g	10 pcs
270-172-007	MBR	Brown	137 N	14 kgf	165 g	10 pcs

