

FOOT STAY YFN-300W Two-angle Lock

TEST METHOD 15 TEST METHOD 16 L=R



Opening Direction	Description	Lock Release Part	Tension Force	Compression Load
 Swing Door	Two-angle Lock	Body (Lifting with Foot)	1470 N/pc (150 kgf/pc)	588 N/pc (60 kgf/pc)

- Locks the door at two angles: 85° and 110° (fully opened).
- Simply lift the stay with foot toe to release the lock.
- Non-handed: Can be installed on left or right side.
- Designed for bottom mount. (Vertical use not allowed)
- Improved version of the foot stay YF-300W (The product size and dimensions for installation have not changed.)

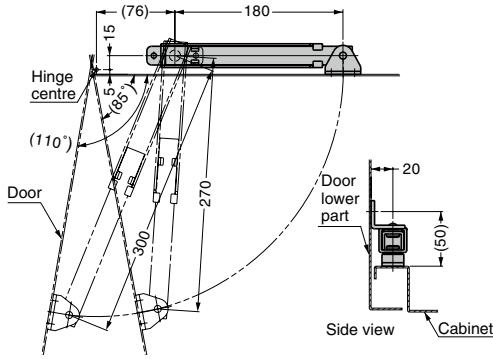
[Applications]

- Switch board, communication equipment, control panel, various display boards, etc.

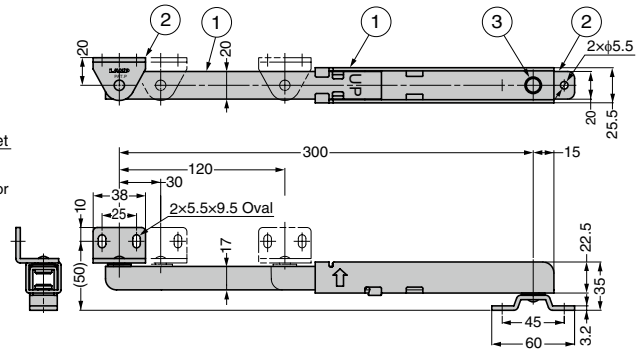
[Remarks]

- Release the lock while supporting the door.
- Do not step on the stay.
- Open or close the door slowly. Quick opening operation may not lock the door.
- Opening angle and installation position change depending on the position of hinge.

[Installation]



● Drawing above shows the state where the stay is installed to the door bottom, seeing the door from above.

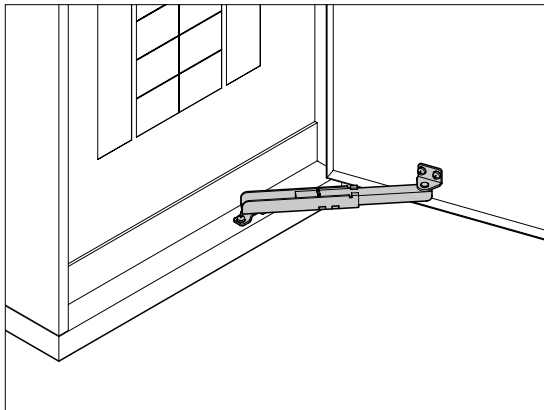


No.	Part Name	Material	Finish
①	Body	Steel (SPCC)	Coloured Zinc Chromate (Trivalent)
②	Bracket		
③	Shaft	Stainless Steel (SUS304)	-

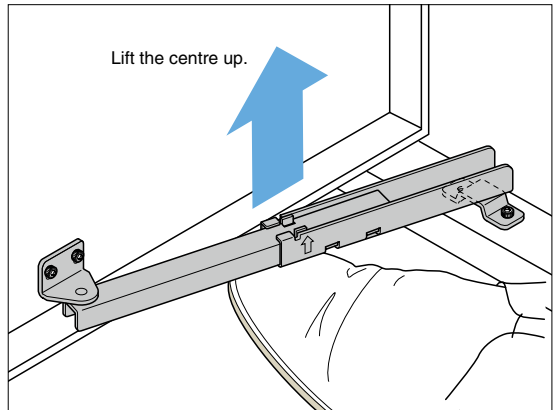
RdHS	CAD	Item Code	Item Name	Tension Force N/pc	Tension Force kgf/pc	Compression Load N/pc	Compression Load kgf/pc	Weight (g)	Box (pcs)	Carton (pcs)
G	-	180-036-852	YFN-300W	1470	150	588	60	435	5	30

※ The item name and item code have changed.

[Application Example]



[Lock Release]



LIFT ASSIST STAYS

SOFT CLOSING STAYS

TORQUE STAYS

HEAVY DUTY LOCKING STAYS

FOOT STAYS

LID STAYS

OTHER STAYS

TOP-OPENING

DOWNWARD-OPENING

UPWARD-OPENING

BOTTOM-OPENING

SWING DOOR

LIFT-UP

LIFT-DOWN

UP & OVER

BI-FOLDING

OVER THE TOP