

DOOR DAMPER LDD-V100



INSTRUCTION

VIDEO



Soft close
"Smooth and soft closing"

Concealed type

Passed 100,000 open/close private cycle test

LDD-V100-NI-L shown.



Counter plate cover (Nickel/Dark brown)



reddot award 2019
winner

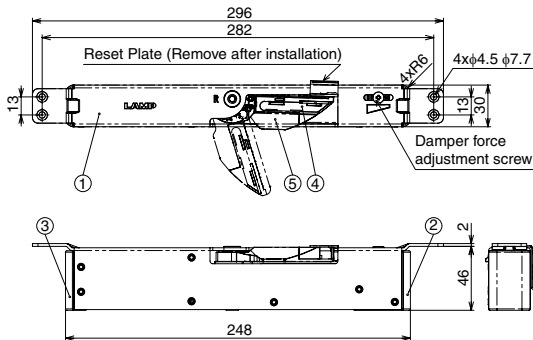


DESIGN AWARD
2019

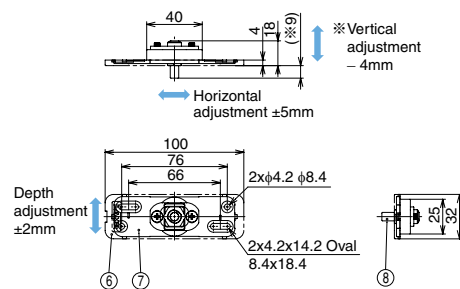
Video Link



[Body]



[Counter Plate]



- Unique door damper applicable to door weight up to 100 kg.
- Suitable for door weight 40~100 kg.
- Damper body is completely hidden when the door is closed.
- Damper and door pull-in functions work just before the door fully closes, preventing the door from slamming shut.
- Door can be opened more easily as compared with door closer.
- Damper force is adjustable.
- Counter plate is 3-way adjustable.
- iF Design Award winner 2019.
- Reddot Product Design winner 2019.
- Can be used with the following hinges.
 - HES3D-E190 **1**
 - HES3D-160 **2**

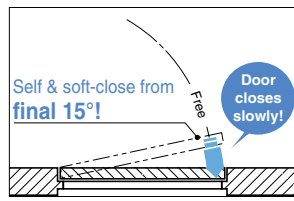
[Applications]

- Heavy duty interior door (shop, housing)

[Parts Included]

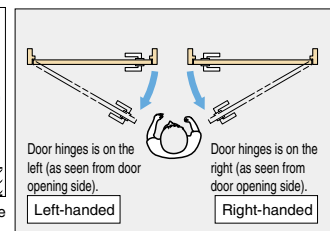
- Tapping screw 3.5×20
- Attachment Jig
- Cutout template

[Door Movement]



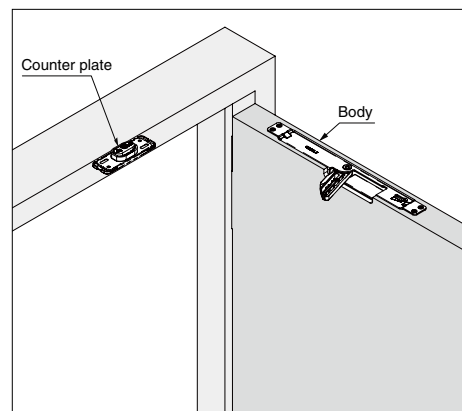
Right-handed type shown. Left-handed type is symmetrical.

[Door Hinge Side]



※Below drawing shows right-handed type. Left-handed type is symmetrica

● Installation



No.	Part Name	Material	Finish / Colour
①	Case	Steel (SPCC)	Nickel
②	Damper Base	POM	Grey
③	Spring Base	POM	Grey
④	Arm Cover	POM	Grey
⑤	Arm	Zinc Alloy (ZDC)	Nickel
⑥	Counter Plate Cover	ABS	Dark Brown/Nickel
⑦	Counter Plate Base	Zinc Alloy (ZDC)	-
⑧	Counter Plate Shaft	Steel (SUM)	Nickel

RHS	CAD	Item Code	Item Name	Type	Counter Plate Cover	Door Width	Door Thickness	Door Weight (kg)	Weight (g)	Box (pcs)	Carton (pcs)
		270-034-821	LDD-V100-DBR-R	Right-handed	Dark Brown	Max. 900	40~60	40~100	920	1	10
		270-034-822	LDD-V100-DBR-L	Left-handed					920	1	10
		270-034-823	LDD-V100-NI-R	Right-handed	Nickel				920	1	10
		270-034-824	LDD-V100-NI-L	Left-handed					920	1	10

Refer to **1** : P.92, **2** : P.93

MAGNETIC CATCHES

KNUCKLE CATCHES & TENSION CATCHES

TOUCH LATCHES

LEVER LATCHES

SLIDE / BARREL BOLTS

DRAW LATCHES

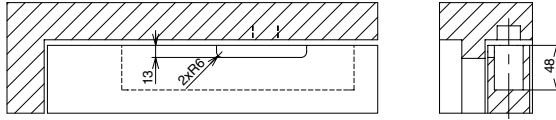
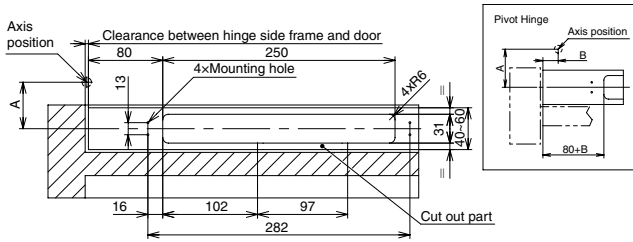
PUSH LOCK FASTENERS & KNOB FASTENERS

ALUMINIUM FRAME CORNER CONNECTORS

DOOR DAMPERS

[Cut Out Dimensions for Door]

LDD-V100-R (right-handed) shown. LDD-V100-L (left-handed) is symmetrical.

**Dimension from frame to bore position of counter plate (mm)**

Door Hinge	Clearance Between Hinge Side Frame and Door (mm)					
	1	2	3	4	5	
HES3D-160, E190	217	218	219	220	221	
Butt Hinge	A=20~35	220	221	222	223	224
Pivot Hinge	A=20~35	220+B	221+B	222+B	223+B	224+B
	A=35~50	223+B	224+B	225+B	226+B	227+B

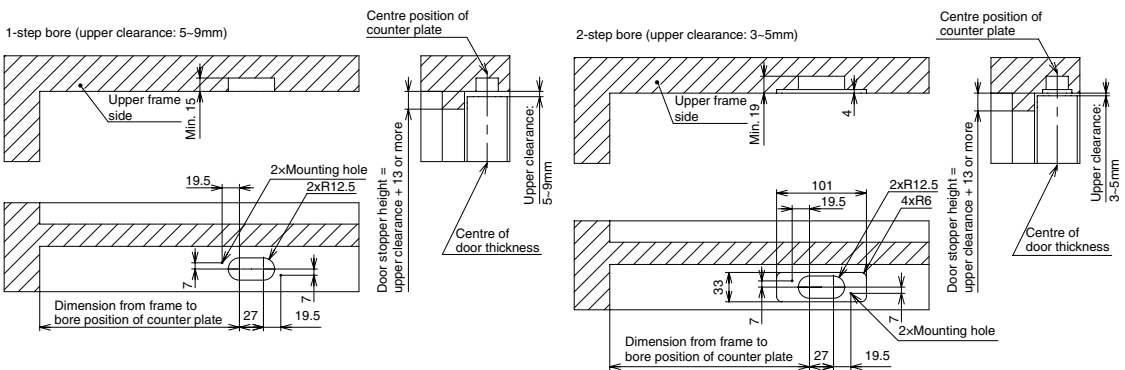
※If clearance between hinge side frame and door is beyond the range in the table above, calculate as per the table below.

Door Hinge	Dimension from Frame to Bore Position of Counter Plate (mm)
HES3D-160, E190	216 + Clearance Between Hinge Side Frame and Door
Butt Hinge	A=20~35 219 + Clearance Between Hinge Side Frame and Door
	A=35~50 222 + Clearance Between Hinge Side Frame and Door
Pivot Hinge	A=20~35 219 + B + Clearance Between Hinge Side Frame and Door
	A=35~50 222 + B + Clearance Between Hinge Side Frame and Door

※ Refer to **1** for 3-way adjustable concealed hinge HES3D.

[Cut Out Dimensions for Frame]

LDD-V100-R (right-handed) shown. LDD-V100-L (left-handed) is symmetrical.

**⚠ Safety Cautions**

◆ **Do not drop or give strong impact to this product.**

- This product can not resist strong wind. Do not use it under strong wind, or the damper effect will decrease.
- If you close the door with excessive force, the damper effect may decrease.
- The door may not close enough depending on the case lock used.
- This product is designed for interior use. Do not use it outdoors.
- Do not use it at places subject to moisture and water.
- At the entrance of highly airtight room, the door closing speed and damper force may change, and the door may not close enough.
- The closing speed varies depending on the use environment (temperature, wind and hinges used on the door, etc.). Operating temperature: 0°C ~ 40°C
- Do not apply a load in the vertical direction or excessive force to pull-in arm. Otherwise, it may be damaged.
- Please install and adjust this product after adjusting the door hinges.
- Please use the door hinges within the adaptive door weight range of this product.
- Please install this product horizontally. Otherwise, it may not operate properly.
- After vertical adjustment of counter plate, tighten the fixing nut firmly.
- This product is supplied with installation instruction. Be sure to read before installation or use.
- Regularly check for looseness or dropout of screws during use.

Refer to **1** : P.90