

LAMP® Sliding Door Latch, Model HC-70 PAT. Model HC-70H (with Indicator) PAT. Installation Manual

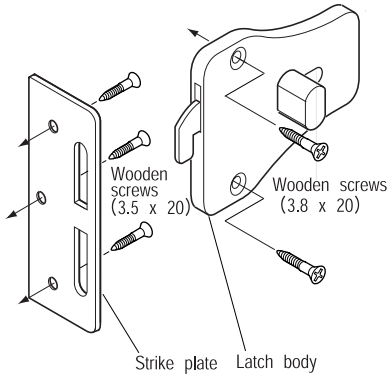
Please read this manual carefully for correct installation of this product. After installation is complete, please be sure to pass this manual to the user who should keep it for later consultation.

CAUTION
Please adhere strictly to the dimensions provided for installation. If incorrect dimensions are used, the product may not perform as originally designed.

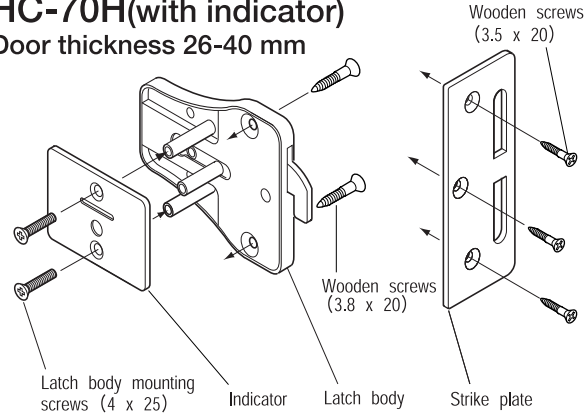
Required Parts

Please check to be sure the package contains all required parts. This product can be used for either the right or left side.

HC-70

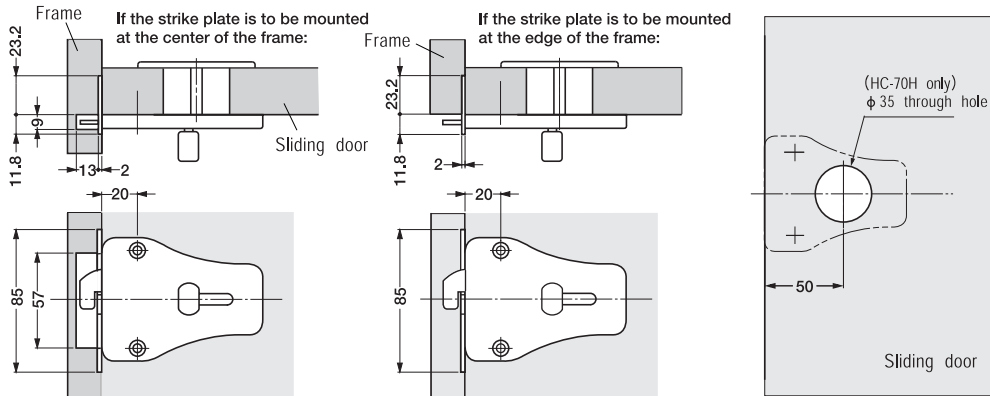


HC-70H(with indicator) Door thickness 26-40 mm



Diagrams Notch for Work

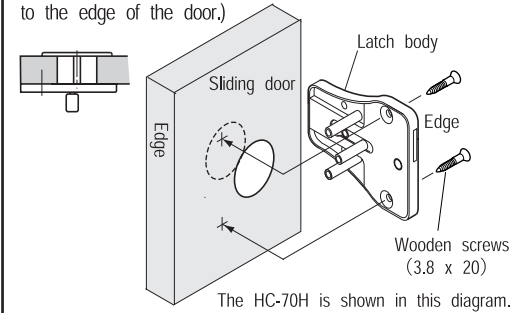
Refer to the diagrams below to perform notch work so that the centerlines of the latch body and strike plate are aligned. (The $\phi 35$ through hole is not required for the HC-70.)



Installation Procedure

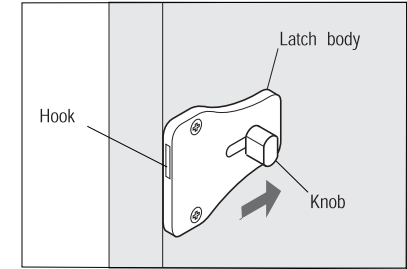
(1) Mounting the Latch Body

Use the wooden screws (3.8 x 20) to mount the latch body to the sliding door. (Be sure the edge of the latch body is aligned to the edge of the door.)



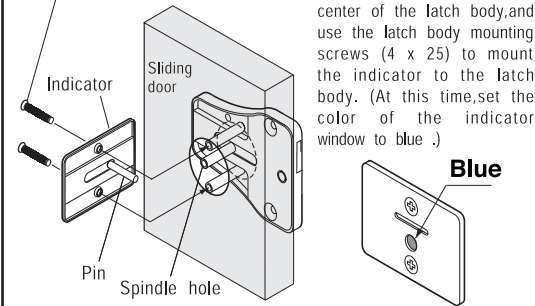
(2) Retracting the Hook

If the hook is protruding out of the latch body, slide the knob to retract it inside.



(3) Mounting the indicator (HC-70H only)

Latch body mounting screws (4 x 25)

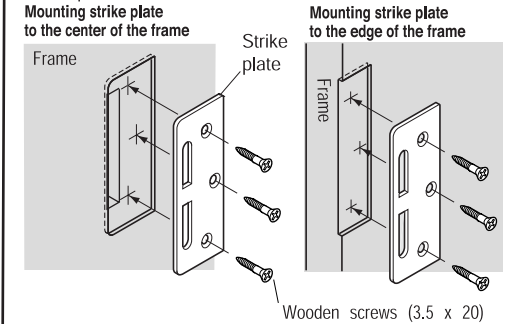


Insert the pin of the indicator into the spindle hole at the center of the latch body, and use the latch body mounting screws (4 x 25) to mount the indicator to the latch body. (At this time, set the color of the indicator window to blue.)

Blue

(4) Mounting the Strike Plate

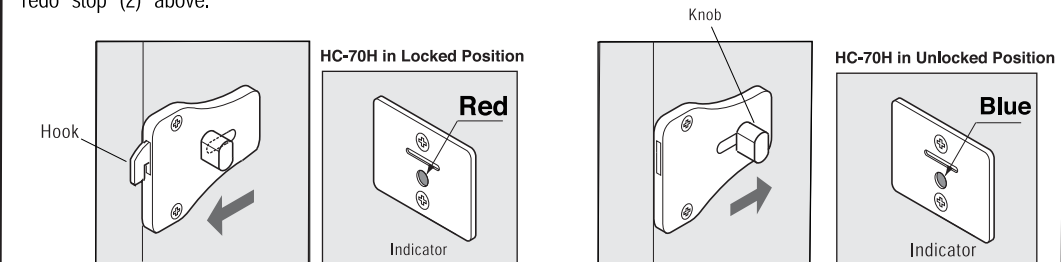
Use the wooden screws (3.5 x 20) to mount the strike plate to the frame.



Checking Operation

Slide the knob in the direction of the arrow. Operation is normal if the hook comes out smoothly while door is locked.

With the HC-70H (with indicator), check to be sure color of indicator window changes from red to blue. Door is locked when the indicator is red, and unlocked when it is blue. If these colors are reversed, please redo step (2) above.



Japan Head Office
SUGATSUNE KOGYO CO., LTD.
1-8-11 HIGASHIKANDA, CHIYODA-KU, TOKYO
101-8633, JAPAN
TEL: +81 3 3866-2260 FAX: +81 3 3866-4447
<http://www.sugatsune.com/> E-mail: export@sugatsune.co.jp

For North American Customers
SUGATSUNE AMERICA INC.
221 EAST SELANDIA LANE, CARSON, CA 90746, U.S.A.
TEL: (310) 329-6373 FAX: (310) 329-0819
E-mail: sales@sugatsune.com/
TOLL FREE: (800) 562-5267 (U.S.A. & Canada only)