

SLIDING DOOR LATCH HC-30R Double-sided Thumb Type



- Ideal for harsh and high corrosion environments.
- Can be latched from both side and prevents unexpected open/close.
- Easy installation, flat and compact design for various application.
- Type combining thumb and indicator and type with large lever on thumb in the same series also available.

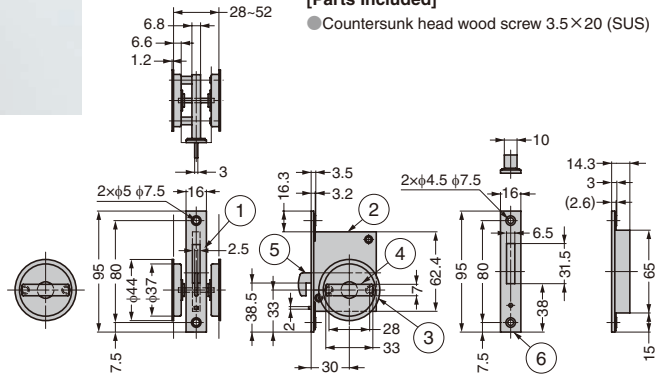
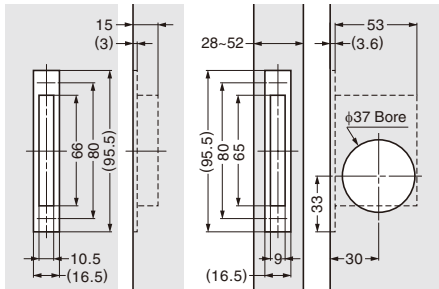
[Remarks]

- The dimensions in the "Cut Out Dimensions" are for reference. Please check with actual item.

[Parts Included]

- Countersunk head wood screw 3.5×20 (SUS)

[Cut Out Dimensions]



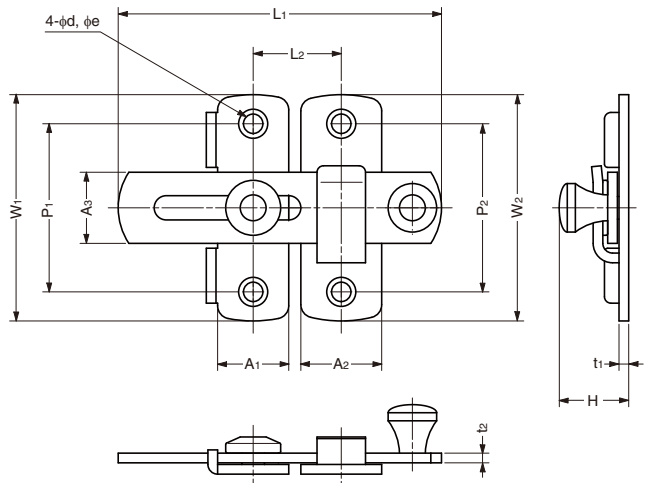
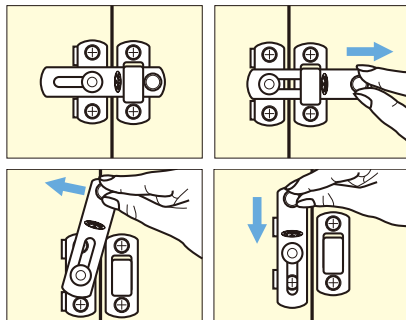
No.	Part Name	Material	Finish
①	Front Plate	Stainless Steel (SUS304)	Satin
②	Body	Steel (SECC)	(Zinc Chromate)
③	Body	Stainless Steel (SUS304)	Polished
④	Thumb	Zinc Alloy (ZDC)	Chrome
⑤	Dead Bolt	Stainless Steel (SUS304)	Barrel Polished
⑥	Counter Plate	Stainless Steel (SUS304)	Satin

RHS	CAD	Item Code	Item Name	Door Thickness	Weight (g)	Box (pcs)	Carton (pcs)
-	3D	140-022-282	HC-30R	28-52	290	5	50

BAR LATCH SSL



- Unique slide-in bar keeps latch locked.
- Slide out and lift the bar to release.



Material	Finish
Stainless Steel (SUS304)	Electro Polished

RHS	CAD	Item Code	Old Item Code	Item Name	L ₁	L ₂	W ₁	W ₂	A ₁	A ₂	A ₃	P ₁	P ₂	H	t ₁	t ₂	d	e	Weight (g)	Box (pcs)	Carton (pcs)
G	3D	140-059-179	140-014-008	SSL-50	50	20±4	35	35	13	15	13	26	26	14.5	2	5	4.2	6.2	32	10	150
G	3D	140-059-180	140-014-009	SSL-70	70	28±6	50	50	18	20	18	37	37	19	2	2.5	5.2	8	68	10	150
G	3D	140-059-176	140-014-010	SSL-100	100	45±15	70	70	22	25	22	52	52	21.5	3	3	5.8	9	142	5	80

※ Item code has been revised.