

SUGATSUNE

Inspire • Invent

# SLIDING DOOR HARDWARE



Image	Features	Height	Width	Thickness	Door Mounting Options		Track Mounting Options			PAGE # + Technical information available
Weight Capacity					Surface	Recessed	Ceiling	Short Bracket	Continuous Bracket	

**SOFT CLOSE SLIDING DOOR SYSTEMS (200 lbs)**

**SDR-RA80-RM**

	Standard Closing	-	Minimum 25-9/16" (650mm)	Minimum 1-1/8" (28mm)	-	✓	✓	-	✓	4-5
		<b>Max. 200 lbs (90kg)</b>								
	Two-Way Soft Close	-	Minimum 33-7/16" (850mm)	Minimum 1-1/8" (28mm)						
		<b>Max. 200 lbs (90kg)</b>								

**SDR-RA80-SM**

	Standard Closing	-	Minimum 25-9/16" (650mm)	Minimum 1-1/16" (27mm)	✓	-	✓	-	✓	6-7
		<b>Max. 200 lbs (90kg)</b>								
	Two-Way Soft Close	-	Minimum 33-7/16" (850mm)	Minimum 1-1/16" (27mm)						
		<b>Max. 200 lbs (90kg)</b>								

**SLIDING DOOR SYSTEMS (176 lbs ~ 660 lbs)**

**SDR-A125**

	Heavy Duty	-	Minimum 19-11/16" (500mm)	Minimum 1-3/8" (35mm)	✓	✓	✓	✓	-	8-9
		<b>Max. 275lbs (125kg)</b>								

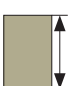
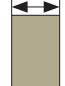
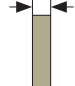
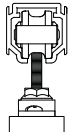
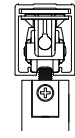

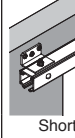
**SDR-RA300**

	Super Heavy Duty	-	Minimum 23-5/8" (600mm)	Minimum 1-3/8" (35mm)	✓	✓	✓	✓	-	10-11
		<b>Max. 600 lbs (300kg)</b>								

**FOLDING DOOR SYSTEM (88 lbs)**


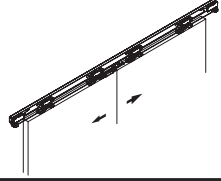
**SDR-A84D**

	No floor guide needed	-	Minimum 21-1/32" (550 mm)	1-3/8"~2" (35mm~50mm)		This bi-folding system allows for up to 25 different door combinations.	12-13
		<b>88 lbs(40kg) per door</b>					


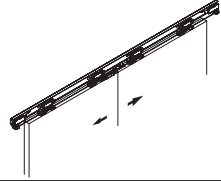
Image	Features	Height	Width	Thickness	Door Mounting Options		Track Mounting Options		PAGE # + Technical information available
									
		Weight Capacity							

## SYNCHRONIZED DOOR SYSTEM (180 ~ 275 lbs)

### SDR-RA80SYN


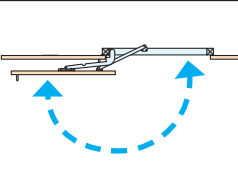
	Soft Close	-	Minimum 28-1/8" (715mm)	Minimum 1-1/16" (27mm)		This system allows two doors to part in a synchronized action.	14-15
		Max. 180lbs (80kg)					

### SDR-A125SYN


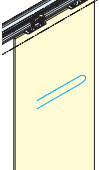
	Easy ceiling installation	-	19-11/16" - 47-1/4" (500mm ~ 1200mm)	1-3/8" (35mm)		This system allows two doors to part in a synchronized action.	16-17
		Max. 275lbs (125kg)					

## SPECIALTY DOOR SYSTEMS (66 lbs ~ 176 lbs )


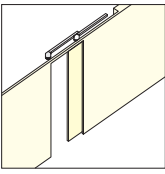
### FAD

	Lateral door system	Max. 117-5/16" (2980 mm)	31-1/2" ~ 33-15/32" (800 ~ 850mm)	61/64" ~ 1-1/2" (24~38mm)		This system is designed to have the door swing out laterally in a small radius, ideal for tight space situations.	18-19
		Max. 77lbs (35kg)					

### LM-80

	Self-Closing	-	27-9/16" ~ 47-1/4" (700 ~ 1200mm)	1/2" (13mm) or 1-1/8" ~ 1-9/16" (28~40mm)		This system is equipped with a damper for smooth and soft closing, eliminating the slamming of the door.	20
		66~176 lbs per door (30~80 kg)					

### MFU

	Flush sliding door system	Max. 98-7/16" (2500 mm)	31~1/2" ~ 39-3/8" (800 ~ 1000mm)	1-1/8" ~ 1-1/16" (28~30mm)		This system is designed to close flush against surrounding walls, providing a flawless appearance.	21
		Max. 66 lbs (30kg)					

## SLIDING DOOR ACCESSORIES

DOOR HANDLES	RECESSED PULLS	DOOR LATCHES	HATCH PULLS	FINGER PULLS	* This is a brief overview. For full details see our online or physical catalog.	22-31
--------------	----------------	--------------	-------------	--------------	--	-------

# RECESSED MOUNT SLIDING DOOR HARDWARE (Door Weight 200 lbs) SDR-RA80-RM



Type	SDR-RA80-RM	
	Recessed Mount Sliding Door	
Roller	Top Recessed	
Track Mounting	Ceiling	Wall w/Continuous Bracket
Door Weight	Max. 200lbs (90 kg)	
Door Thickness	Min. 1-1/8" (28 mm)	
Door Width	Two-Way Soft Close Min. 33-7/16" (850 mm) Standard Close Min. 25-9/16" (650 mm)	

- 200lbs (90kg)
- Ceiling and Barn Door Mount
- Recessed Mounted door brackets
- Double rollers with ball bearings
- Quiet precision movement
- Soft Close Feature
- Low profile minimum gap of 1/8" (3mm)
- Vertical Adjustment  $\pm 1/16"$  (1mm)

#### How to order

1. Select track and track length
  - 1A. Select any optional parts for track
2. Choose a hardware set (dual soft closing or standard)

## Ordering Information

### 1. Track Options

Track Type	Length	Item No.	Description
Standard Aluminum Track	78-3/4" (2000 mm)	SDR-RA80-2000	
	118-1/8" (3000 mm)	SDR-RA80-3000	
False Ceiling Aluminum Track	78-3/4" (2000 mm)	SDR-RA80-TC-2000	

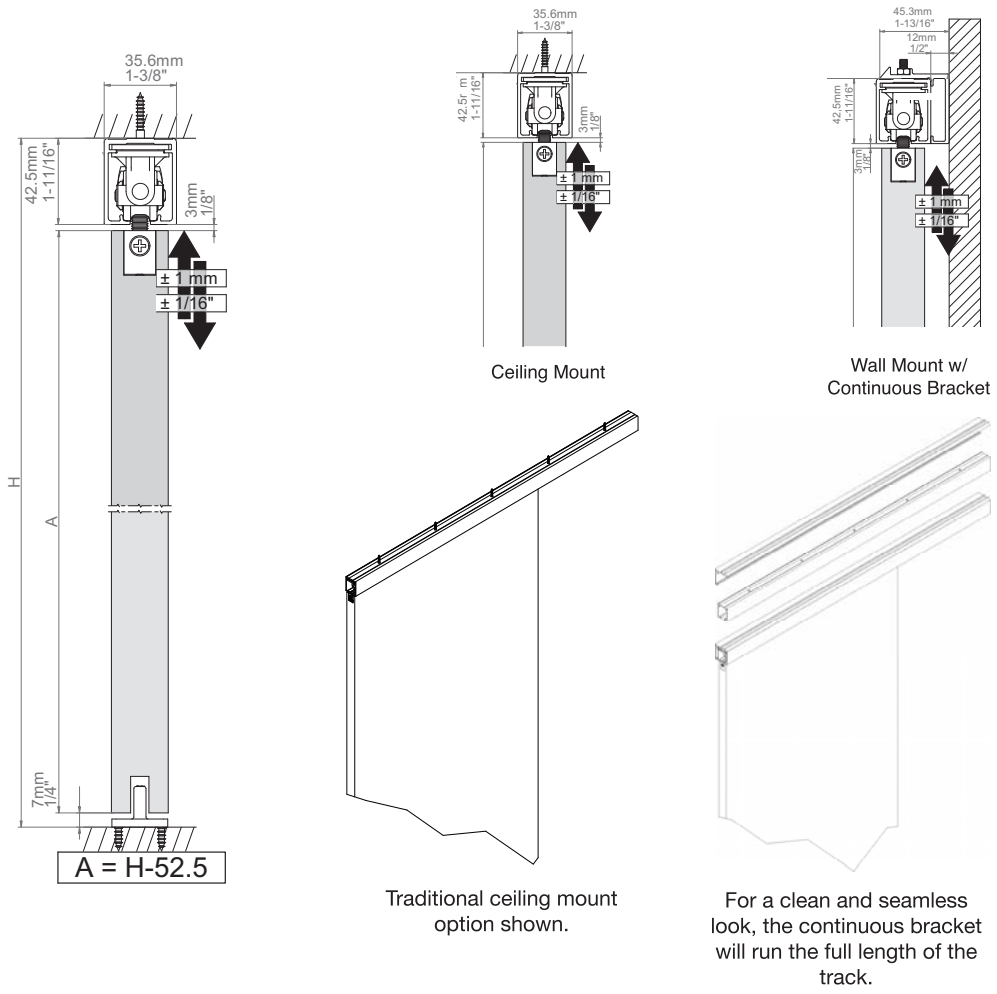
### 1A Optional Parts for Track

<p>SDR-RA80WL-2000 SDR-RA80WL-3000 Wall Mount Bracket</p>	<p>SDR-RA80-8083 End Cover for Track</p>	<p>SDR-RA80-8085 End Cover for Track &amp; Wall Mount Bracket</p>
---	--	---

### 2. Hardware Set

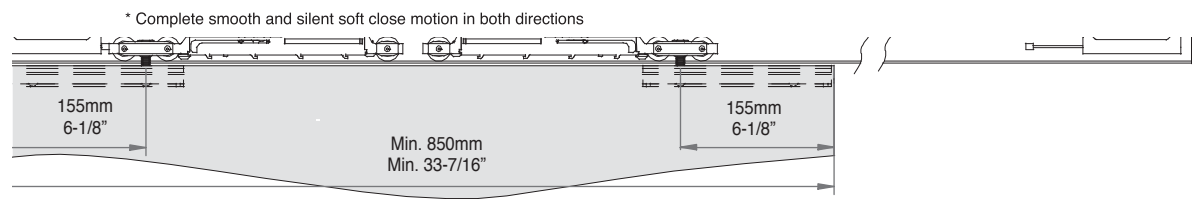
Closing Feature	Item No.	Set Details
Two-Way Soft Close	SDR-RA80-RM-DSC	<p>(1) SDR-RA80-8084 Recessed Bracket</p> <p>(2) SDR-RA80-8006 Soft Close Rollers</p>
Standard Closing	SDR-RA80-RM-RR	<p>(1) SDR-RA80-8084 Recessed Bracket</p> <p>(2) SDR-RA80-8080 Standard Rollers</p>

TRACK MOUNTING OPTIONS

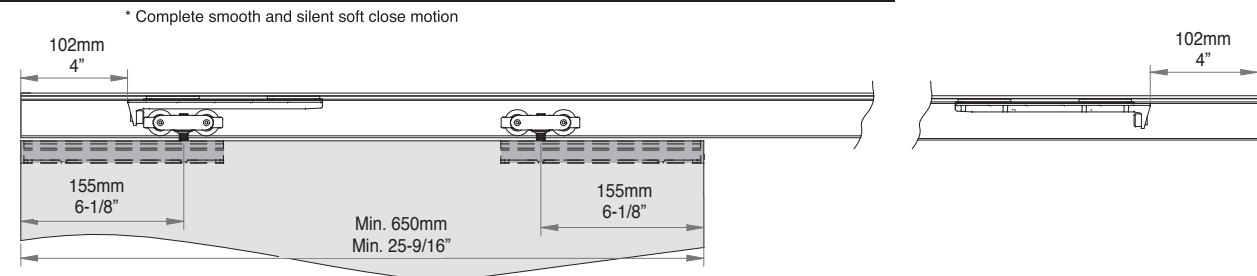


Track Details

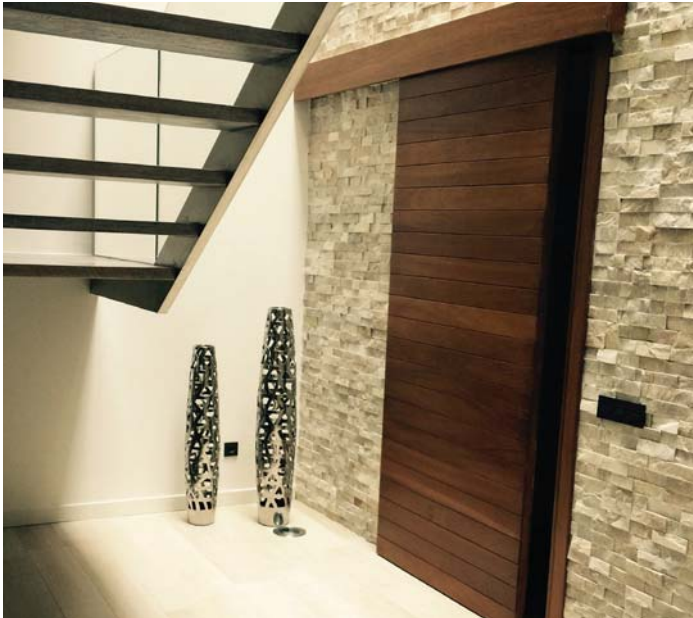
Two-Way Soft Close



Standard Closing



# SURFACE MOUNT SLIDING DOOR HARDWARE (Door Weight 200 lbs) SDR-RA80-SM



Type	SDR-RA80-SM	
	Surface Mount Sliding Door	
Roller	Top Surfaced	
Track Mounting	Ceiling	Wall w/Continuous Bracket
Door Weight	Max. 200lbs (90 kg)	
Door Thickness	Min. 1-1/8" (28 mm)	
Door Width	Two-Way Soft Close Min. 33-7/16" (850 mm) Standard Close Min. 25-9/16" (650 mm)	


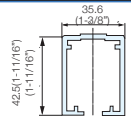

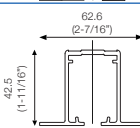
- 200lbs (90kg)
- Ceiling and Barn Door Mount
- Surface Mounted door brackets
- Double rollers with ball bearings
- Quiet precision movement
- Soft Close Feature
- Vertical Adjustment  $\pm 1/16"$  (1mm)

#### How to order

1. Select track and track length
  - 1A. Select any optional parts for track
2. Choose a hardware set (dual soft closing or standard)

## Ordering Information

### 1. Track Options

Track Type	Length	Item No.	Description
Standard Aluminum Track	78-3/4" (2000 mm)	SDR-RA80-2000	 
	118-1/8" (3000 mm)	SDR-RA80-3000	
False Ceiling Aluminum Track	78-3/4" (2000 mm)	SDR-RA80-TC-2000	 

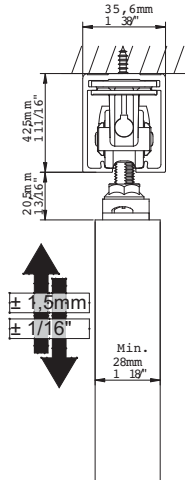
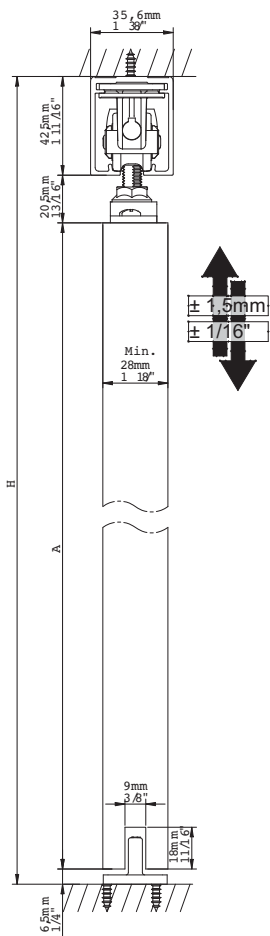
### 1A Optional Parts for Track

 SDR-RA80WL-2000 SDR-RA80WL-3000 Wall Mount Bracket	 SDR-RA80-8083 End Cover for Track	 SDR-RA80-8085 End Cover for Track & Wall Mount Bracket
---	---	---

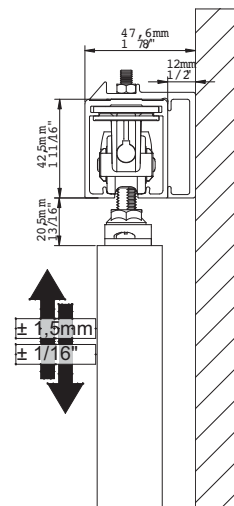
### 2. Hardware Set

Closing Feature	Item No.	Set Details
Dual Soft Close	SDR-RA80-SM-DSC	 (1) SDR-RA80-SM-KIT Surface Mount Brackets           +           (2) SDR-RA80-8006 Soft Close Rollers
Standard Closing	SDR-RA80-SM-RR	 (1) SDR-RA80-SM-KIT Surface Mount Brackets           +           (2) SDR-RA80-8080 Standard Rollers

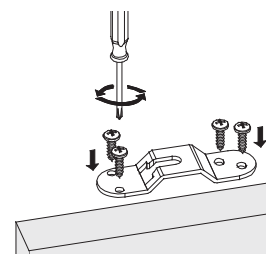
**TRACK MOUNTING OPTIONS**



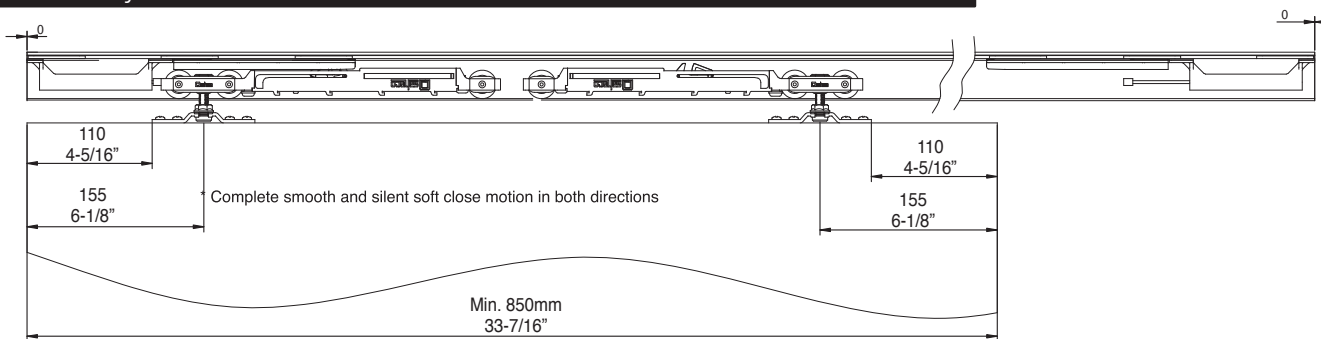
Traditional ceiling mount option shown.



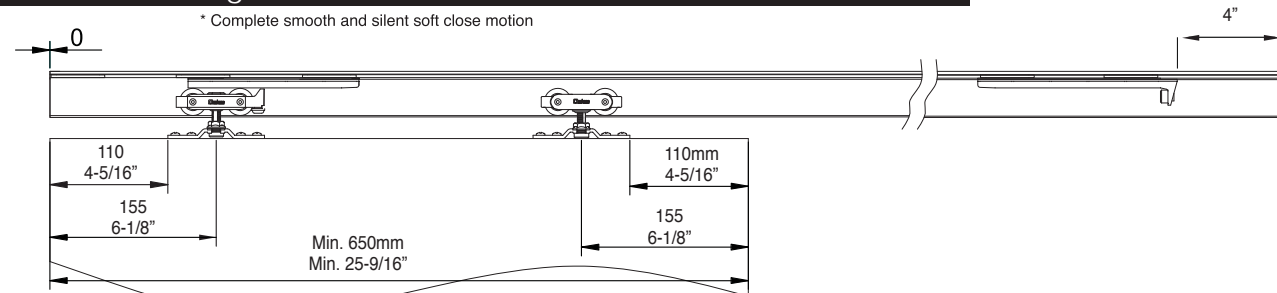
For a clean and seamless look, the continuous bracket will run the full length of the track.



**Two-Way Soft Close**



**Standard Closing**



# SLIDING DOOR HARDWARE ( Door Weight 275 lbs)

# SDR-A125



Type	SDR-A125	
	Standard Sliding	
Roller	Top Recessed	Top Surface
Door Weight	Max. 275 lbs (125 kg)	
Door Thickness	Min. 1-3/8" (35 mm)	
Door Width	Min. 19-11/16" (500mm)	


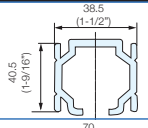
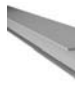
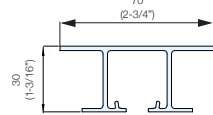
- 275lbs (125 kg)
- Ceiling mount
- Recessed and Top Surface Mounted door brackets
- Double rollers with ball bearings
- Quiet precision movement
- Low profile minimum gap of 1/8" (3mm) Recess mount
- Vertical Adjustment
  - o Recessed mount  $\pm 1/16"$  (1mm)
  - o Surface mount  $\pm 1/8"$  (2.5mm)

#### How to order








1. Select track and track length
  - 1A. Select any optional parts for track
2. Select a hardware set

## Ordering Information



### 1. Track Options

Track Type	Length	Item No.	Description
Standard Aluminum Track	118-1/8" (3000 mm)	SDR-A125-3000	 
False Ceiling Aluminum Track	118-1/8" (3000 mm)	SDR-A125-12532	 

### 1A Optional Parts for Track

 SDR-A125-10433 Clip on Fascia	 SDR-A-6056 Clip on Bracket for Timber	 SDR-A125-12557 End Caps for Track	 SDR-A81-6961 Aluminum Separator
 SDR-A-4131 Bottom Guide Channel	 SDR-A-4140 Bottom Guide Roller	 SDR-A300-30064 Short Bracket	

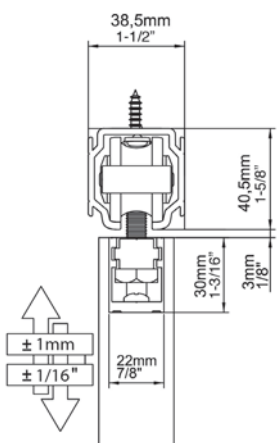
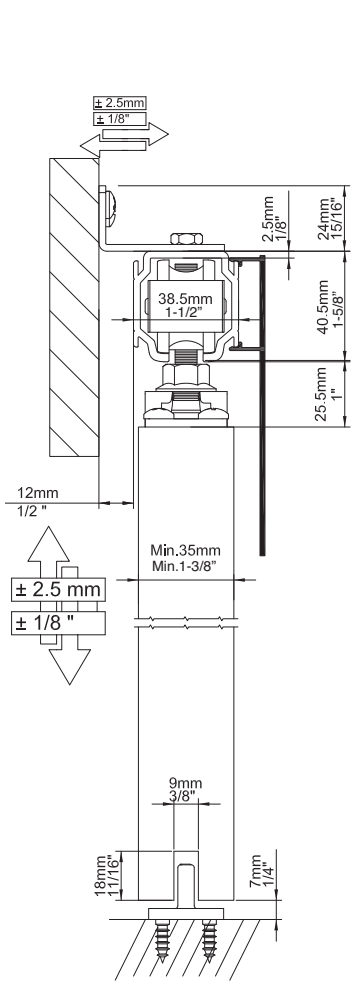
### 2. Hardware Set

Door Mount	Item No.	Set Details
Top Recessed	SDR-A125TR-PRT	 Top Recessed Roller Set
Top Surface	SDR-A125TS-PRT	 Top Surface Roller Set

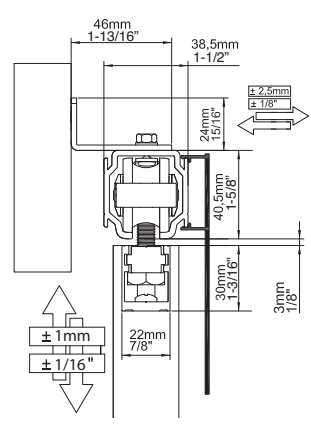


TRACK MOUNTING OPTIONS

Top Recessed (SDR-A125TR)

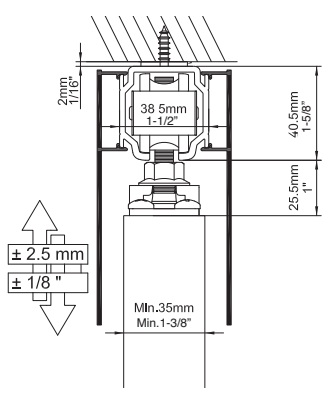
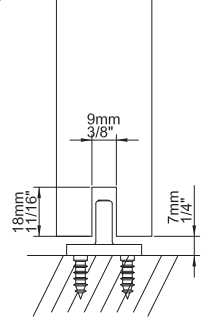


Ceiling Mount  
Traditional Ceiling mount option shown with recessed rollers.

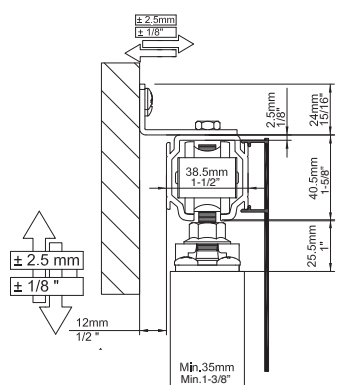


Wall Mount w/ Short Bracket  
Top track short bracket for Barn Door style mounting that allows fast and simple installation.

Top Surface (SDR-A125TS)



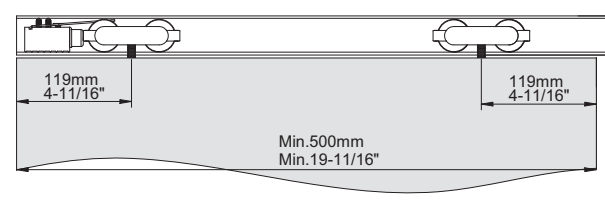
Ceiling Mount  
Traditional Ceiling mount option shown. Fascia can be mounted on both sides if needed



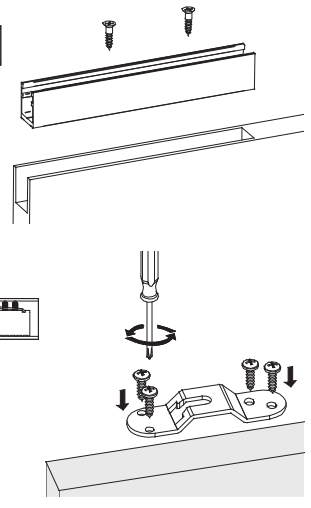
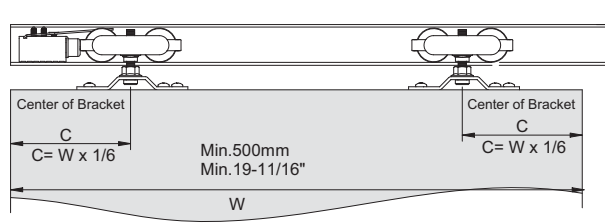
Wall Mount w/ Short Bracket  
Top track short bracket for Barn Door style mounting that allows fast and simple installation.

Track Details

Top Recessed



Top Surface



# SLIDING DOOR HARDWARE ( Door Weight 660 lbs)

## SDR-A300



Type	SDR-A300	
	Standard Sliding	
Roller	Top Recessed	Top Surfaced
Door Weight	Max. 660 lbs (300 kg)	
Door Thickness	Min. 1-3/8" (35 mm)	
Door Width	Min. 23-5/8" (600mm)	


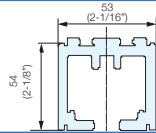
- 660lbs (300 kg) Heavy Duty Model
- Ceiling and Barn Door Mount
- Recessed and Top Surface Mounted door brackets
- Double rollers with ball bearings
- Quiet precision movement
- Low profile minimum gap of 1/8" (3mm) Recess Mount
- Vertical Adjustment  $\pm 1/16"$  (1mm)
  - o Recessed mount  $\pm 1/4"$  (6mm)
  - o Surface mount  $\pm 1/16"$  (2mm)

### How to order





1. Select track and track length
  - 1A. Select any optional parts for track
2. Select a mounting type

## Ordering Information



### 1. Track Options

Track Type	Length	Item No.	Description
Standard Aluminum Track	118-1/8" (3000 mm)	SDR-A300-3000	 

### 1A Optional Parts for Track

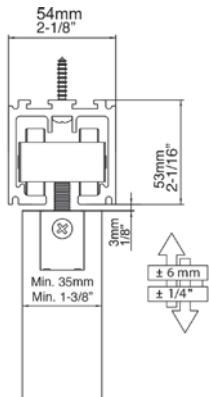
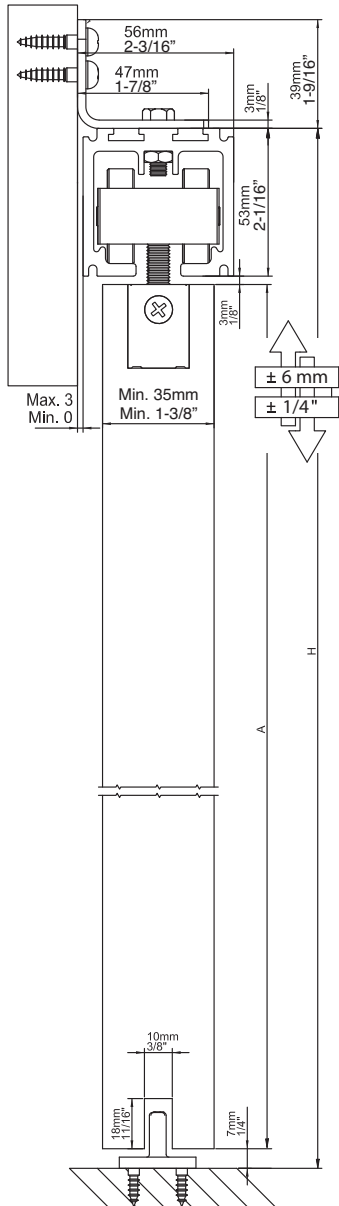
			
SDR-A-4131 Bottom Guide Channel	SDR-A300-30057 End Caps for Tracks	SDR-A-4140 Bottom Guide Roller	SDR-A300-30064 Short Bracket

### 2. Hardware Set

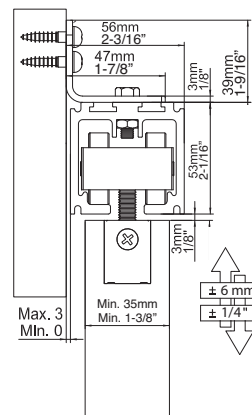
Door Mount	Item No.	Set Details
Top Recessed	SDR-A300TR-PRT	 Top Recessed Roller Set
Top Surface	SDR-A300TS-PRT	 Top Surface Roller Set

TRACK MOUNTING OPTIONS

Top Recessed (SDR-A300TR)

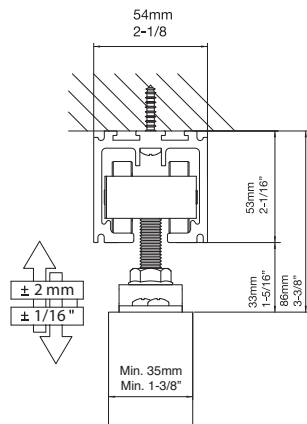


Ceiling Mount  
Traditional Ceiling mount option shown with recessed rollers.

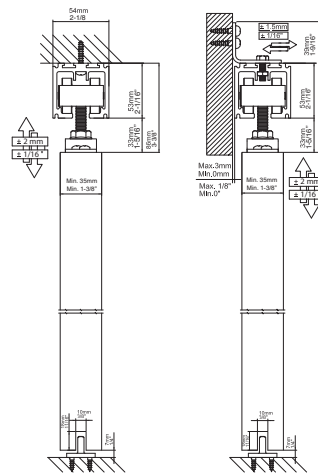


Wall Mount w/ Short Bracket  
Top track short bracket for Barn Door style mounting that allows fast and simple installation.

Top Surface (SDR-A300TS)



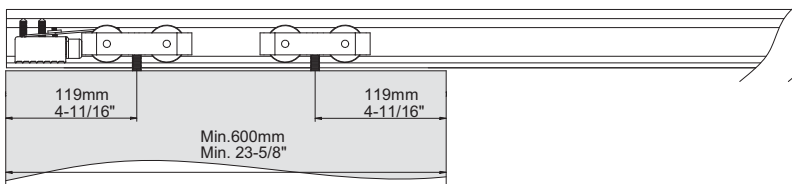
Ceiling Mount  
Traditional Ceiling mount option shown. Fascia can be mounted on both sides if needed



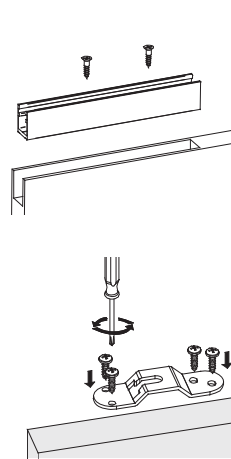
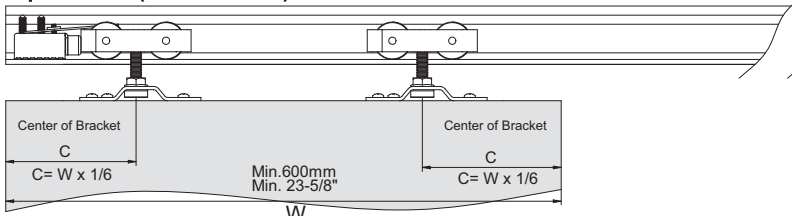
Wall Mount w/ Short Bracket  
Top track short bracket for Barn Door style mounting that allows fast and simple installation.

Track Details

Top Recessed (SDR-A300TR)



Top Surface (SDR-A300TS)



# FOLDING DOOR HARDWARE (Door Weight 88 lbs per door)

# SDR-A84D

SLIDING & FOLDING  
DOOR HARDWARE

FOLDING DOOR SYSTEM (Max. 88 LBS per panel)



Type	SDR-A84D	
	Folding Door	
Roller	Top Recessed	
Track Mounting	Ceiling	
Door Weight	Max. 88lbs (40 kg) Per Panel	
Door Thickness	1-3/8"(35 mm) ~ 2" (50 mm)	
Door Panel Width	Min. 21-1/32"(550 mm)	
Door Width	Two Doors: Max. 39-3/8" (1000 mm)	Four Doors: Max. 29-1/2" (750 mm)

- 88lbs per panel capacity
- Compatible with 2 or 4 doors
- Ceiling mount options
- Recessed Mounted door brackets
- Concealed Hinges Recommended
- Double rollers with ball bearings
- Quiet precision movement
- Low profile minimum gap of 3/16" (5mm)
- Recess Mount
- Optional bottom track (not required)

■ How to order

1. Select track and track length
- 1A. Select any optional parts for track
2. Select a hardware set
- 2A. Select any optional parts for hardware set

■ 1. Track Options

Track Type	Length	Item No.	Description
Standard Aluminum Track	78-3/4" (2000 mm)	SDR-A84D-2000	
	118-1/8" (3000 mm)	SDR-A84D-3000	
False Ceiling Aluminum Track	118-1/8" (3000 mm)	SDR-A84D-TC-3000	

■ 1A Optional Parts for Track

<p>SDR-A-4131 Bottom Guide Channel</p>	<p>SDR-A-4110 Bottom Guide Roller</p>
--	---

■ 2. Hardware Set

Door Mount	Load Rating Per Door	Item No.	Set Details
Two Door Assembly	Up to 66 lbs	SDR-A84D-2D-2HDC	<p>(1) Set for (1) Pair of Doors</p>
	Up to 88 lbs	SDR-A84D-2D-3HDC	
Four Door Assembly	Up to 66 lbs	SDR-A84D-4D-4HDC	<p>(1) Set for (1) Pair of Doors</p>
	Up to 88 lbs	SDR-A84D-4D-6HDC	

■ 2A Optional Parts for Hardware Set

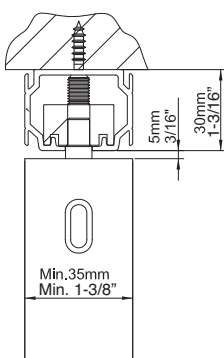
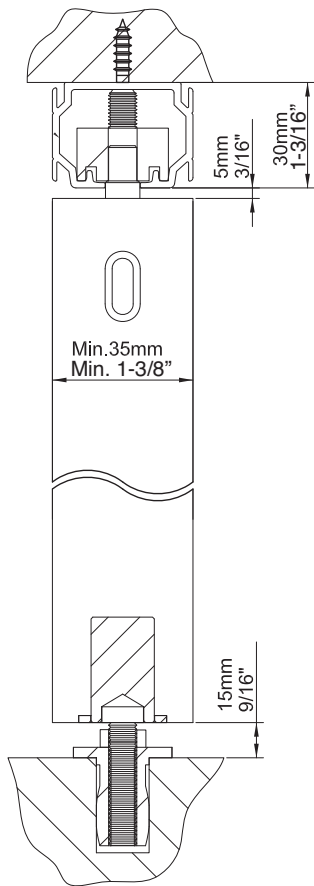
<p>SDR-A84D-8800 Set for Pair of Doors</p>	<p>SDR-A84D-8801 Set for Single Door</p>	<p>SDR-A84D-8802 Set for SECOND PAIR</p>
--	--	--

\* As necessary, can be used with knuckle hinges etc..

**TRACK MOUNTING OPTIONS**

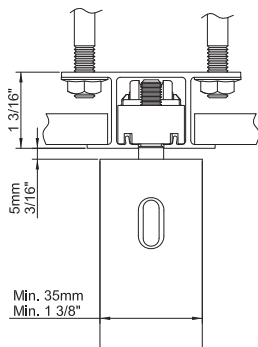
SLIDING & FOLDING  
DOOR HARDWARE

FOLDING DOOR SYSTEM (Max. 88 LBS per panel)



**Ceiling Mount**

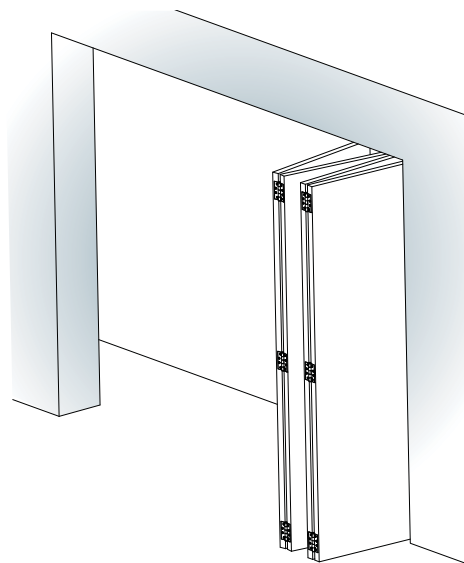
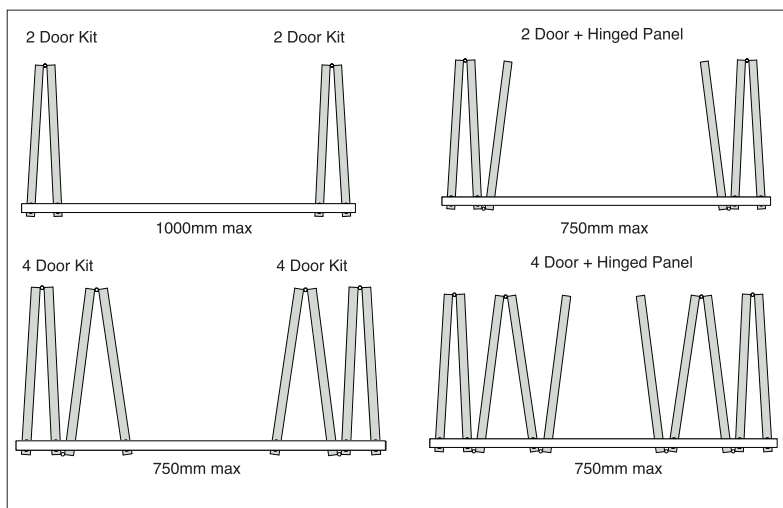
Standard ceiling mount for doorways and closets. Requires 1-3/8" thick doors.



**False Ceiling Mount**

False ceiling mount for room partition applications. Requires 1-3/8" minimum thick doors. Hardware for sliding doors is completely concealed.

**Configuration Options**





Type	SDR-RA80SYN	
	Synchronized Bi-Parting	
Roller	Top Recessed	Top Surfaced
Track Mounting	Ceiling	Wall w/Continuous Bracket
Door Weight	Max. 176lbs (80 kg)	
Door Thickness	Min. 1-1/16" (27 mm)	
Door Width	<b>40 kg door (88 lbs)</b> Min: 28-1/8" (715 mm)	<b>80 kg door (176 lbs)</b> Min: 36" (915 mm)


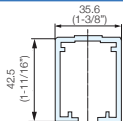
- 176lbs (80kg)
- Ceiling and Wall/Barn Door Mount
- Surface Mounted Door Brackets
- Double Rollers with Ball Bearings
- Quiet Precision Movement
- Soft Close Feature
- Vertical Adjustment  $\pm 1/16"$  (1mm)

#### How to order

1. Select track and track length
  - 1A. Select any optional parts for track
2. Choose a hardware set (dual soft closing or standard)

## Ordering Information



### 1. Track Options

Track Type	Length	Item No.	Description
Standard Aluminum Track	78-3/4" (2000 mm)	SDR-RA80-2000	 
	118-1/8" (3000 mm)	SDR-RA80-3000	

### 1A Optional Parts for Track

 SDR-RA80WL-2000 SDR-RA80WL-3000 Wall Mount Bracket	 SDR-RA80-8083 End Cover for Track	 SDR-RA80-8085 End Cover for Track & Wall Mount Bracket
---	---	--

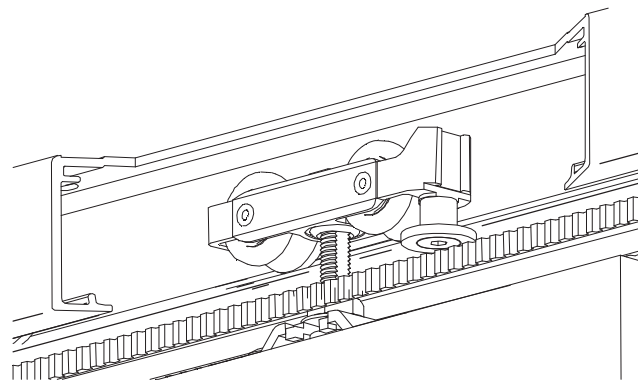
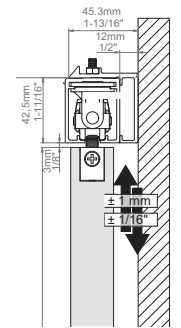
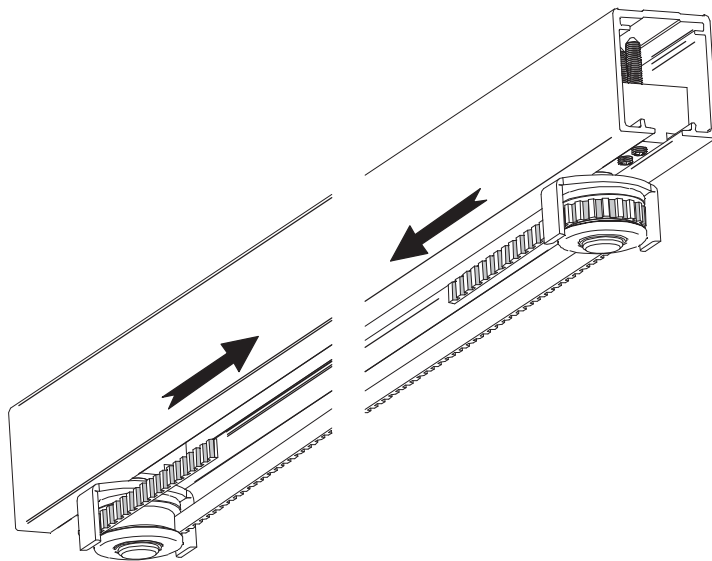
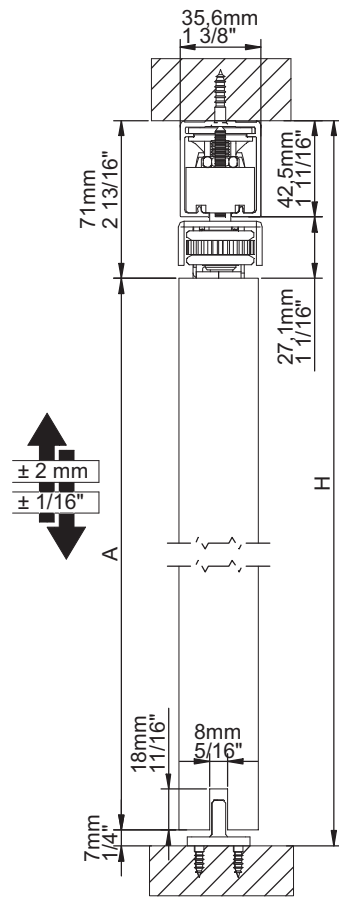
### 2. Hardware Set

Load Rating (Per Door)	Item No.	Set Details
up to 88 lbs (40 kg)	SDR-RA80SYN-40	 Roller & Surface Door Mount Synchronized Set
up to 176 lbs (80 kg)	SDR-RA80SYN-80	 Roller & Surface Door Mount Synchronized Set

TRACK MOUNTING OPTIONS

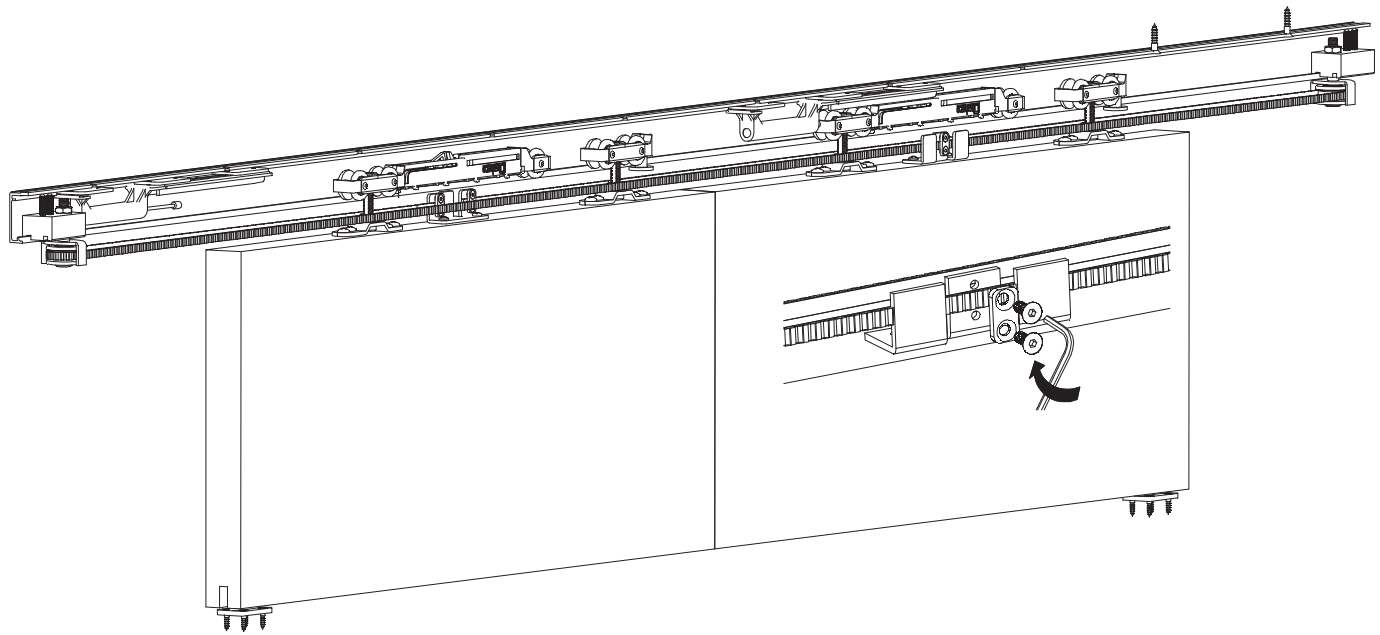
SLIDING & FOLDING  
DOOR HARDWARE

SOFT CLOSE SYNCHRONIZED SYSTEM (MAX. 180 LBS)



This synchronous system allows 2 doors to open simultaneously. Can hold doors up to 88 lbs or 176 lbs., depending on the door width.

Synchronized system features an anti jump feature attached to the rollers.



# SYNCHRONIZED SLIDING DOOR HARDWARE ( Door Weight 275 lbs) SDR-A125SYN



Type	SDR-A125SYN
	Bi-Parting Synchronizing
Track Mounting	Ceiling
Door Weight	Max. 275 lbs (125 kg)
Door Thickness	Min. 1-3/8" (35 mm)
Door Width	23-5/8" (600mm) ~ 47-1/4" (1200mm)


- 275lbs (125 kg)
- Smooth Bi-Parting synchronized function
- Ceiling Mount
- Surface Mounted door brackets
- Double rollers with ball bearings
- Quiet precision movement
- Vertical Adjustment  $\pm 1/8"$  (2.5mm)

#### How to order

1. Choose track and track length  
1A. Select any optional parts for track
2. Select a hardware set

## Ordering Information

### 1. Track Options


Track Type	Length	Item No.	Description
Standard Aluminum Track	118-1/8" (3000 mm)	SDR-A125-3000	

### 1A Optional Parts for Track

 SDR-A-125-10433 Anodized Aluminum Fascia (3000 mm)	 SDR-A81-6061 Aluminum Separator
--	---

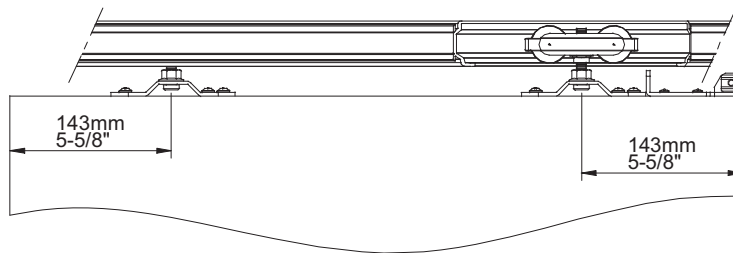
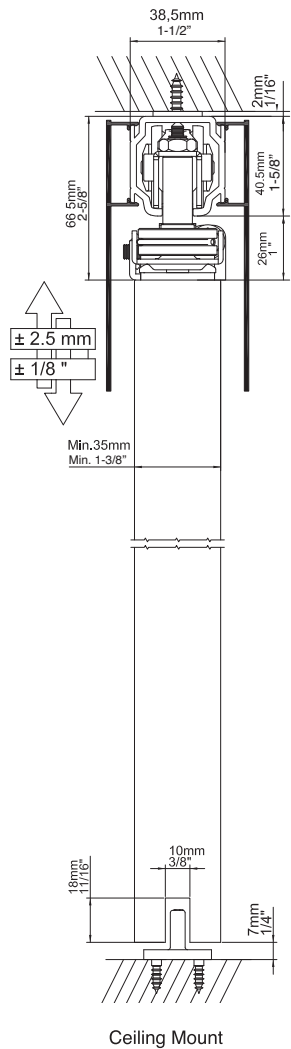
\* If installing fascia for ceiling mount, one per each fixing point

### 2. Hardware Set

Door Mount	Item No.	Set Details
Surface Bracket with Synchronized Bracket Set	SDR-A125SYN-KIT	 (2) SDR-A125TS-PRT      +      (1) SDR-A125SYN-PRT

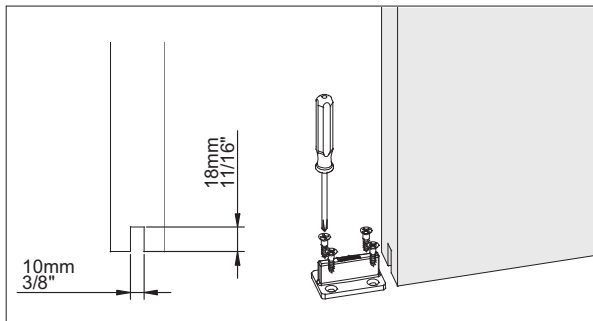


TRACK MOUNTING OPTIONS

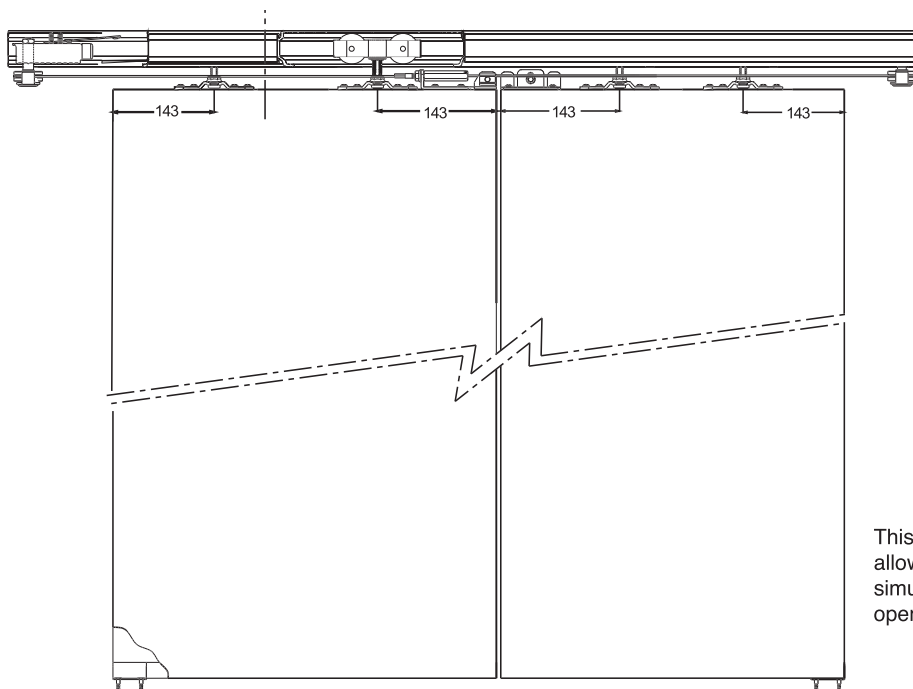


The Bi-parting Synchronized door system allows for wider door openings in a variety of spaces. The top hung doors leave the floor free of tracks and make this system desirable for entrances to conference rooms, kitchen or bathrooms.

■ Floor Guide Installation



Ceiling Mount



This synchronous system allows 2 sliding doors to open simultaneously. Can be applied to opening of 7' and 10-1/2".

# FAD LATERAL OPENING DOOR SYSTEM - Overview

MonoFlat FAD™



FAD-54 / FAD-54L

Item No.	FAD-44	FAD-44L	FAD-54	FAD-54L
Door Width	31-1/2" ~33-15/32" ( 800~850 mm )		31-1/2" ~33-15/32" ( 800~850 mm )	
Door Height	Max. 93-11/16" ( 2380 mm )	Max. 117-5/16" ( 2980 mm )	Max. 93-11/16" ( 2380 mm )	Max. 117-5/16" ( 2980 mm )
Door Thickness	61/64" ~ 1-1/2" ( 24 ~ 38 mm )		61/64" ~ 1-1/2" ( 24 ~ 38 mm )	
Door Weight	Max. 77 lbs ( 35kg )		Max. 77 lbs ( 35kg )	

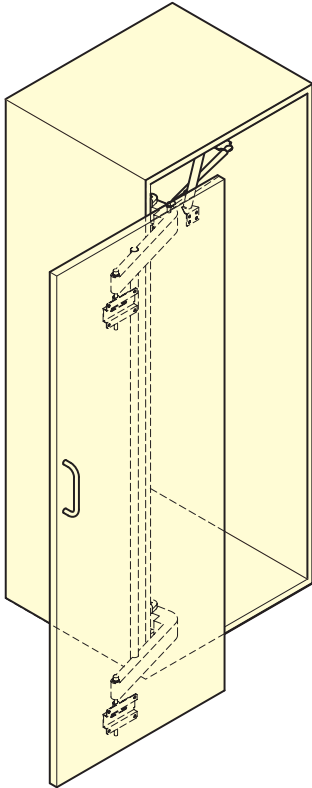
- Flush Surface
- Designed to close flush against surrounding walls
- Provides clean appearance
- Lateral Opening Mechanism
- Allows doors to swing out laterally in a small radius
- Ideal for tight front space application
- No Rails on bottom guide required
- Smooth Movement
- Built-in gas spring provides a smooth self opening & closing movement
- Height adjustable by cutting arm connecting pipe
- Various applications can be used in single or double door configuration
- Ideal for walk-in closets, partitions, hidden door applications, etc.

#### FAD-54 / FAD-54L

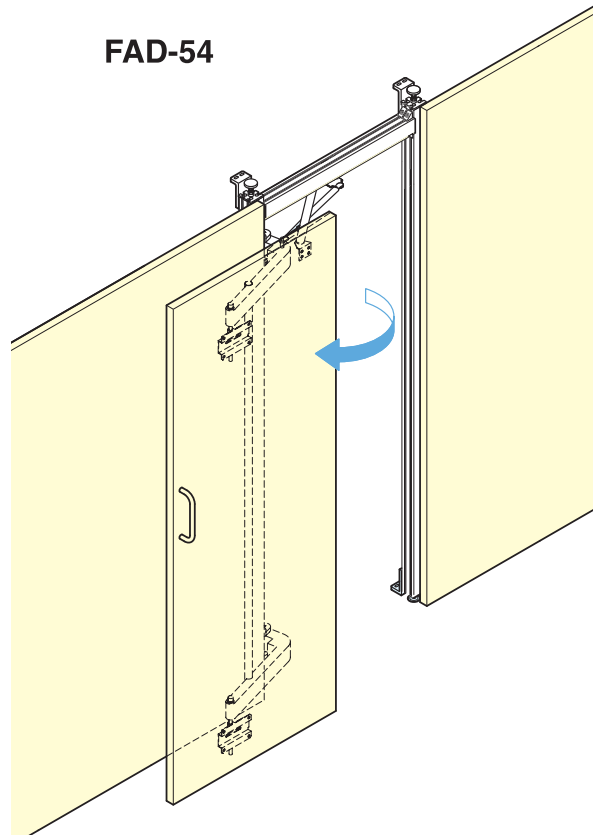
- Includes aluminum frame

■ Application Examples

FAD-44

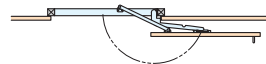
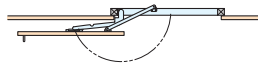


FAD-54



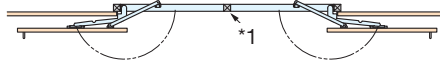
■ Opening Configurations

Left Hand Use

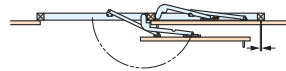


Right Hand Use

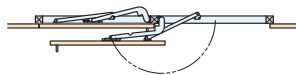
Right / Left combination 1



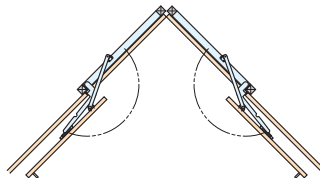
\*1 Vertical frame or door stoppers on floor for both doors required in center.



Right / Left combination 2












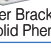


Corner Use











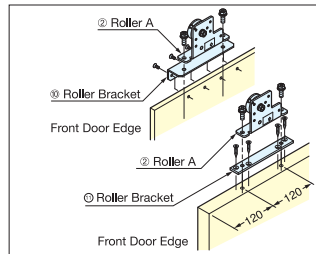
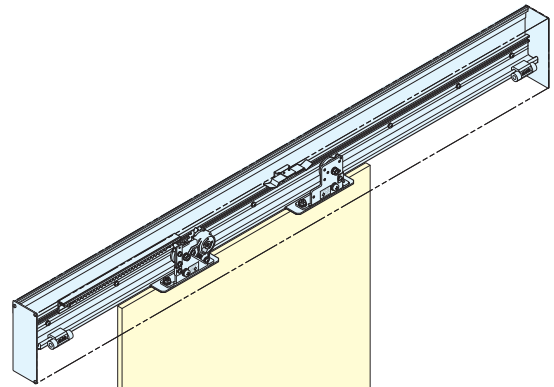
Item No.	LM-80
Door Width	27-9/16"~47-1/4" ( 700~1200 mm )
Door Thickness	1/2" or 1-1/8"~1-9/16" ( 13 or 28~40 mm )
Door Weight	66~ 176 lbs/door ( 30~80 kg/Door )
Door Travel	Max. 43-5/16" (in case of door width 47-1/4") Max. 1100 mm (in case of door width 1200 mm)

- Self closing sliding door system
- Equipped with damper for smooth and soft close
- Dampening speed adjustable for best soft closing
- Wall surface mount type for easy installation
- No bottom rail needed for clean appearance
- Door opens lightly for easy operation
- Door catch included to hold door in fully open position
- Designed for 13mm solid phenolic panel or 28~40mm thick wood doors
- Non-handed

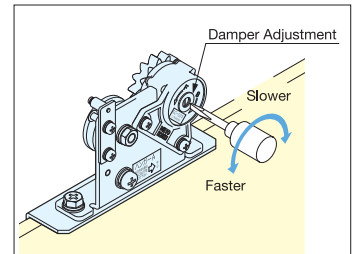
Kit Details	
Qty	Part Name
1 pc	 Damper
1 pc	 Roller A
1 pc	 Roller B
1 pc	 Gear Rack
1 pc	 Spring
1 pc	 Stopper Roller
2 pcs	 Door Stopper
2 pcs	 Stopper Plate
t1:15 pcs, t0.5:1pc	 Height Adjustment Spacer
2 pcs	 Roller Bracket (For Solid Phenolic)
2 pcs	 Roller Bracket (For Solid Wood)
2 pcs	 Bottom Roller Guide

Qty	Part Name
4 pcs	 Anchor
1 pc	 Roller Rail (2200mm)
1 pc	 Fascia (2350mm)
2 pcs	 Side Cover
1 pc	 Mounting Plate (2350mm)

Optional Parts	
Qty	Part Name
1 pc	 ET-125 Latch w/indicator



Roller Brackets for solid phenolic panel and wood door included.



Closing speed adjustable by turning adjustment screw on damper.

# FLUSH SLIDING DOOR SYSTEM ( Door Weight 66 lbs )

MFU

SLIDING & FOLDING  
DOOR HARDWARE

FLUSH SLIDING DOOR SYSTEM (Max. 66 LBS)



MFU-1000-L shown.

MFU	
Door Width	31-1/2"~39-3/8" (800~850 mm)
Door Height	Max. 98-7/16" (2500 mm)
Door Thickness	1-1/8"~1-1/4" (*28~30 mm)
Door Weight	Max. 66 lbs (30 kg)
Adjustability	Depth: 1/8" (±3.5 mm)
	Horizontal: 5/32" (±4 mm)
	Vertical: 5/32" (±4 mm)

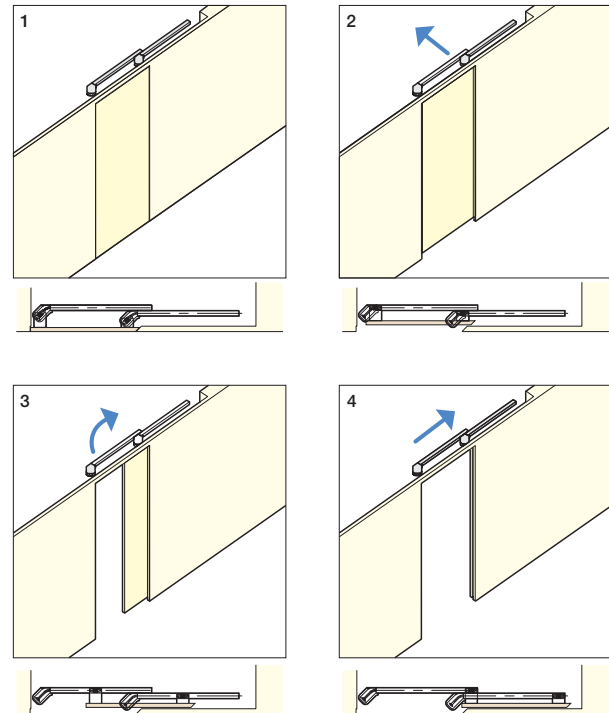
- Flush Surface  
Designed to close flush against surrounding walls
- Unique Movement  
Door moves in first, and then slides sideways
- Clean Appearance  
No bottom rails on floor required on MFU-1000-R/L

Note: Hardware must be installed onto a rigid frame, ceiling or wall to prevent door from falling off.

Item No.	Description
MFU-1000-R	For Right-Handed Opening
MFU-1000-L	For Left-Handed Opening

Kit Details		
Qty	Image	Part Name
2 pcs		Upper Track
1 pc		Guide Block (Top)
1 pc		Guide Block (Bottom)
1 pc		Upper Bracket A
1 pc		Upper Bracket B
1 pc		Stopper
1 pc		Lower Guide
2 pcs		Upper Roller
1 pc		Bottom Guide Pin
1 pc		Guide Track
















### ■ Door Movement (Left-Handed Opening)

















■ Item No. - with optional parts for floor mounted recessed guide track.

Item No.	Description	Parts Included		
MFU-1000RG-SL-R	For Right-Handed Opening	Guide Pin FD30-FGR	Lower Guide Track FD30-FBRH910SIL	Recessed Guide Track MFU-RG-GR-(L/R)
MFU-1000RG-SL-L	For Left-Handed Opening			

## SLIDING DOOR HANDLES

Picture	Item No.	
	DSI-4251	STAINLESS 304 STEEL
	DSI-4253	STAINLESS 304 STEEL
	DSI-3250	BRASS STAINLESS 304 STEEL
	DSI-4254-35	STAINLESS 304 STEEL
	DSI-4254-45	STAINLESS 304 STEEL
	DSI-4252-C-12 (FOR GLASS DOOR)	STAINLESS 304 STEEL
	DSI-4252-12 (FOR GLASS DOOR)	STAINLESS 304 STEEL
	DSI-5250-12 (FOR GLASS DOOR)	STAINLESS 304 STEEL
	DSI-3250-12 (FOR GLASS DOOR)	STAINLESS 304 STEEL
	HH-P135	
	YK-70	STAINLESS 304 STEEL
	YK-W100	STAINLESS 304 STEEL
	HN	STAINLESS 304 STEEL
	OP-150	STAINLESS 304 STEEL
	RP	STAINLESS 304 STEEL

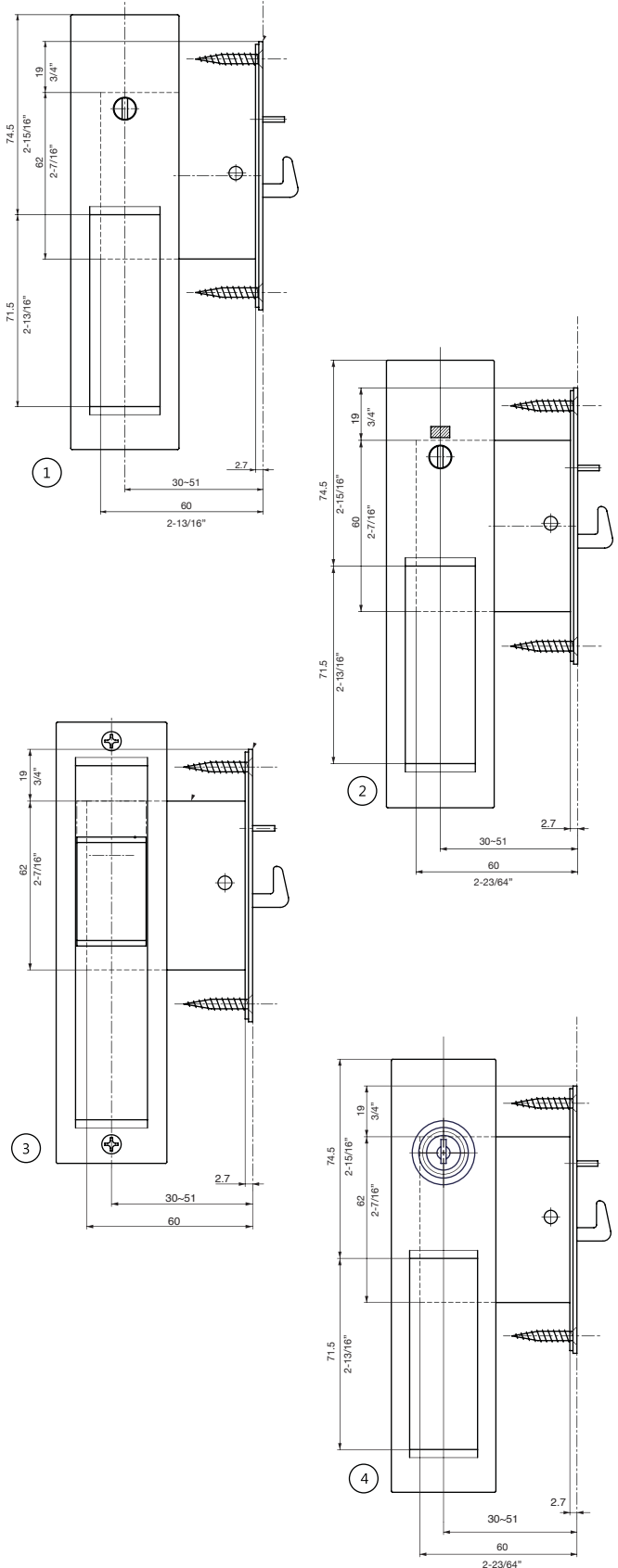
## SLIDING DOOR LATCHES

Picture	Item No.
	HC-30R (Lever Bolt)
	HC-30
	HC-30H (W/INDICATOR)
	HC-30L
	HC-30HL (W/INDICATOR)
	HC-70
	HC-70H (W/INDICATOR)
	HC-65
	HHC-85
	HC-85
	HC-3051PRV (PRIVACY)
	HC-3051IND (W/INDICATOR)
	HC-3051CLD (DOUBLE SIDED)
	HC-3051CLD (CYLINDER LOCK)

For more details about the sliding door latches, reference the 201 catalog or [www.sugatsune.com](http://www.sugatsune.com)



HC-3051 SERIES

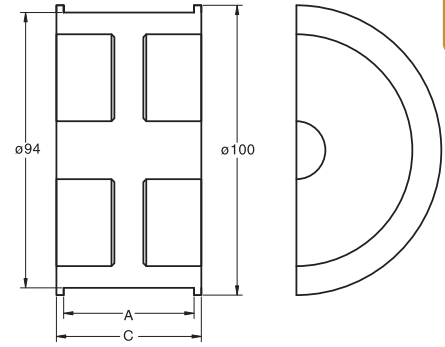


Item No.	Type
1	HC-3051-PRV-NI Privacy
2	HC-3051-IND-NI Privacy w/ Indicator
3	HC-3051-DSL-NI Double Sided Slide
4	HC-3051-CLD-NI Cylinder Lock



### DSI-3250

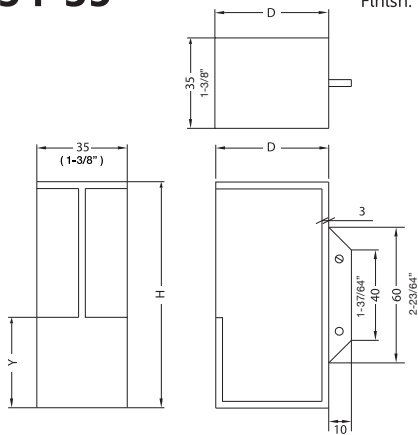
Finish: Satin , Antique Brass (AB)



Item No.	C	A
5 DSI-3250-35	39 (1-17/32")	35 (1-3/8")
DSI-3250-45	49 (1-15/16")	45 (1-3/4")

### DSI-4254-35

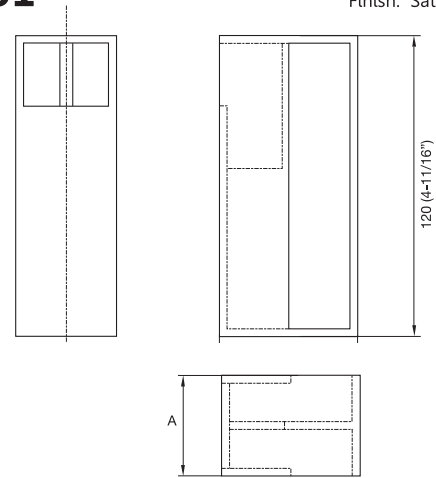
Finish: Satin



Item No.	H	D	Y
1 DSI-4254-100-35	100 (3-15/16")	50 (1-15/16")	40 (1-9/16")
2 DSI-4254-200-35	200 (7-7/8")	85 (3-11/32")	110 (4-5/16")
3 DSI-4254-300-35	300 (11-13/16")		210 (8-5/16")
4 DSI04354-500-35	500 (19-11/16")		410 (16-2/16")

### DSI-4251

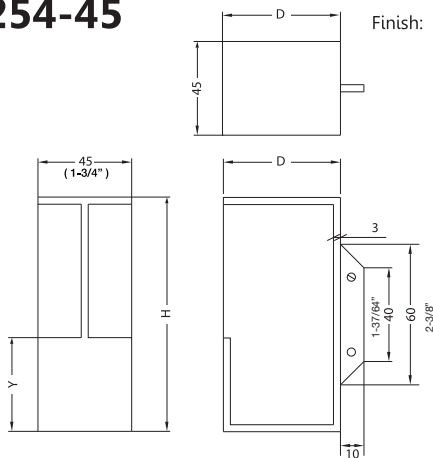
Finish: Satin



Item No.	A
DSI-4251-35	35 (1-3/8")
6 DSI-4251-45	45 (1-3/4")

### DSI-4254-45

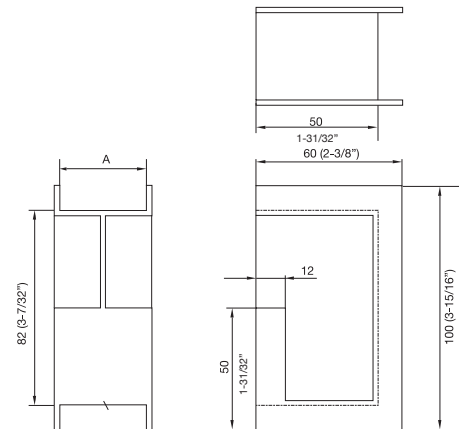
Finish: Satin



Item No.	H	D	Y
DSI-4254-100-45	100 (3-15/16")	50 (1-15/16")	40 (1-9/16")

### DSI-4253

Finish: Satin



Item No.	C
DSI-3253-35	35 (1-3/8")
7 DSI-3253-45	49 (1-3/4")

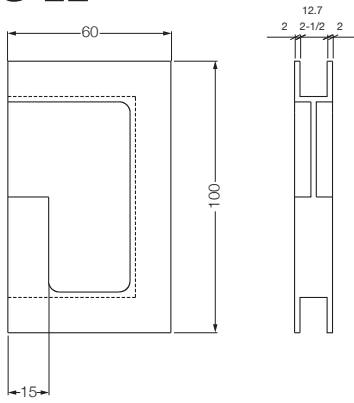




### DSI-4252-C-12

Finish: Satin

STAINLESS  
304  
STEEL

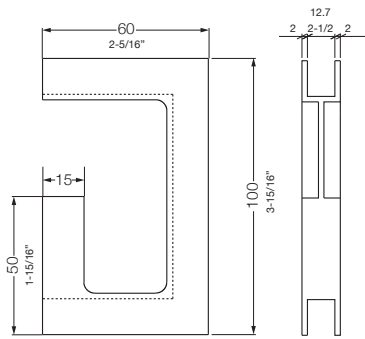


Item No.	1
DSI-4252-C-12	

### DSI-4252-12

Finish: Satin

STAINLESS  
304  
STEEL

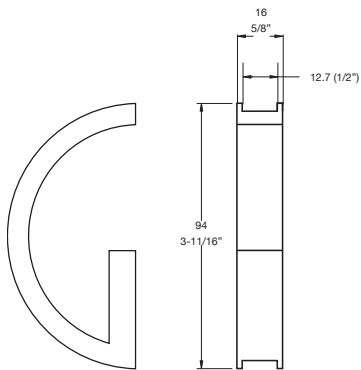


Item No.	2
DSI-4252-12	

### DSI-5250-12

Finish: Satin

STAINLESS  
304  
STEEL

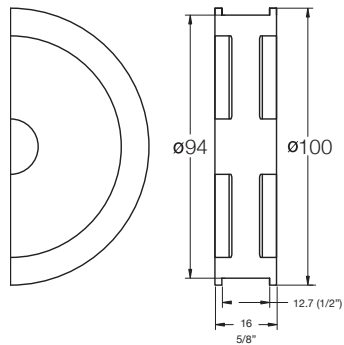


Item No.	3
DSI-5250-12	

### DSI-3250-12

Finish: Satin

STAINLESS  
304  
STEEL

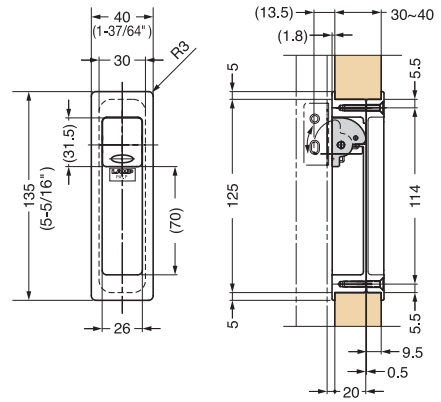


Item No.	4
DSI-3250-12	





# HH-P135

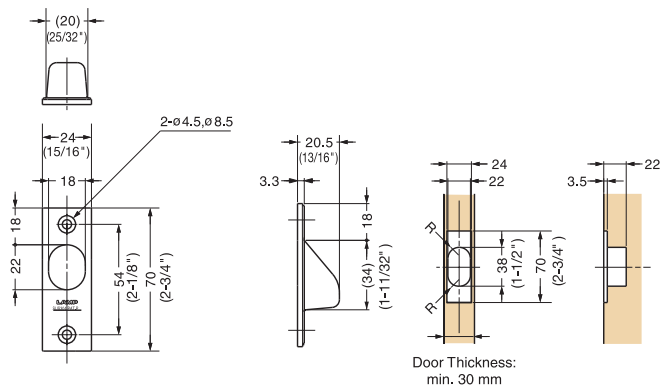


	Item No.	L	H	D
1	HH-P135/CR	40 (1-9/16")	135 (5-5/16")	30 ~ 40
2	HH-P135/DC			



Finish: Satin

# YK-70



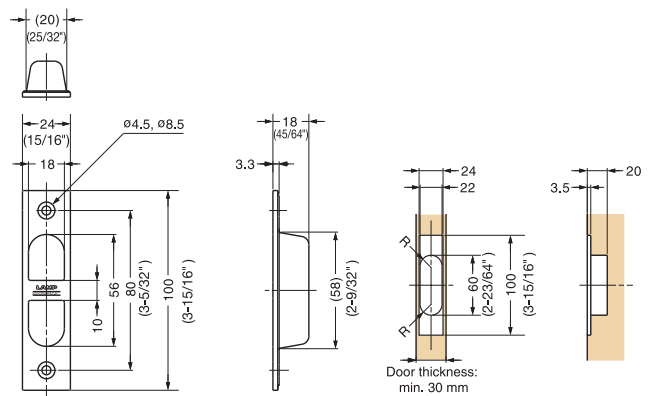
Door Thickness: min. 30 mm

	Item No
3	YK-70



Finish: Satin

# YK-W100

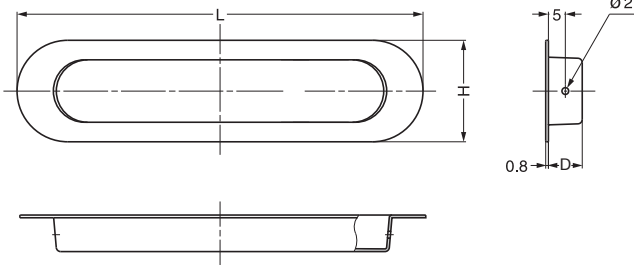


Door thickness: min. 30 mm

	Item No
4	YK-W100

# HN

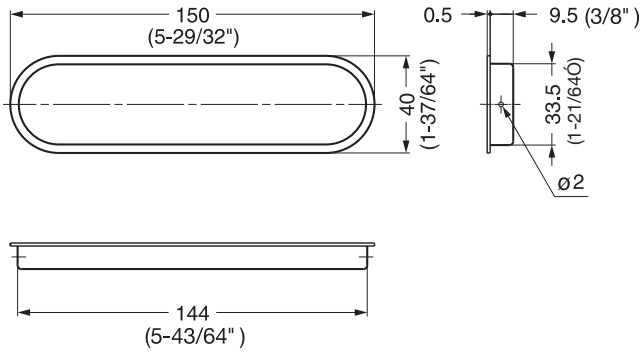
Finish: Satin



Item No.		L	H	D
1	HN-120SH	120 (4-23/32")	30 (1-3/16")	10 (25/64")
2	HN-150SH	150 (5-29/32")	35 (1-3/8")	12 (15/32")
3	HN-200SH	200 (7-7/8")	50 (1-31/32")	13.2 (33/64")
4	HN-250SH	250 (9-27/32")		

# OP-150

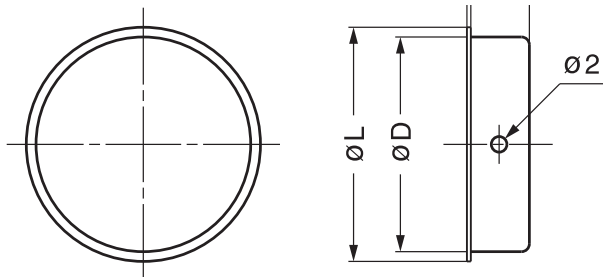
Finish: Satin



Item No.	L	H	
5	OP-150	150 (5-29/32")	40 (1-37/64")

# RP

Finish: Satin



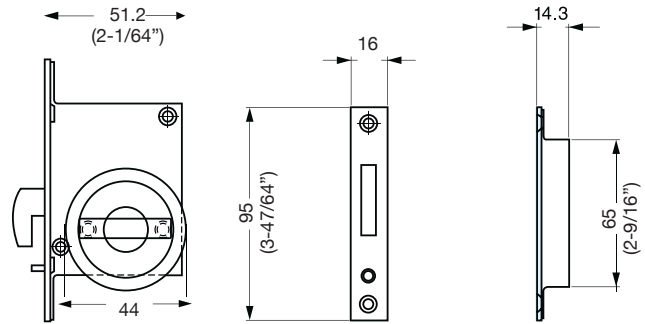
Item No.	L	D	
6	RP-30	30 (1-3/16")	27.5 (1-5/64")
7	RP-37	36 (1-27/64")	31.5 (1-15/64")
8	RP-45	46 (1-13/16")	41 (1-39/64")
9	RP-60	60 (2-23/64")	53.5 (2-7/64")
10	RP-80	80 (3-5/32")	71 (2-51/64")





Finish: Satin

### HC-30R



Item No.	Thickness
HC-30R	28.6-47.6 (1-1/8" ~1-7/8")

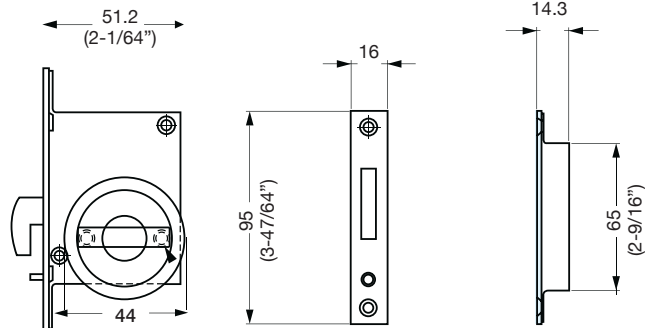


Opposite Side



Finish: Satin

### HC-30



Item No.	Thickness
HC-30H	28.6-47.6 (1-1/8" ~1-7/8")

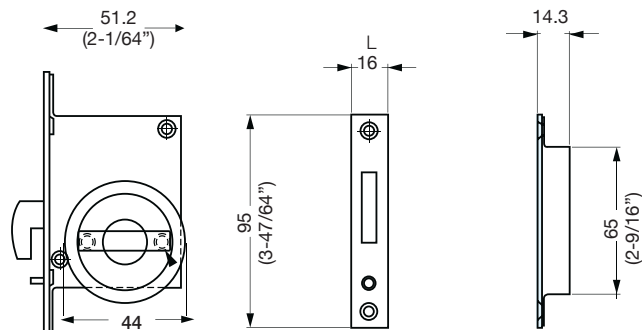


Opposite Side



Finish: Satin

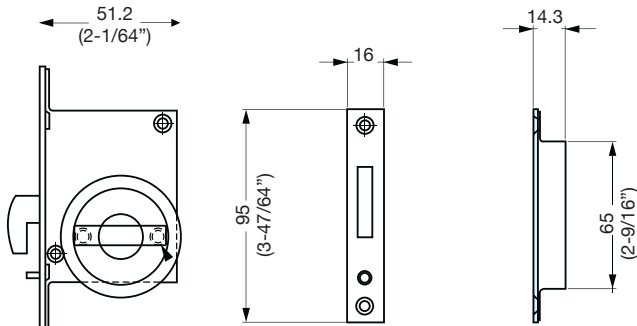
### HC-30H



Item No.	Thickness
HC-30H	28.6-47.6 (1-1/8" ~1-7/8")

### HC-30L

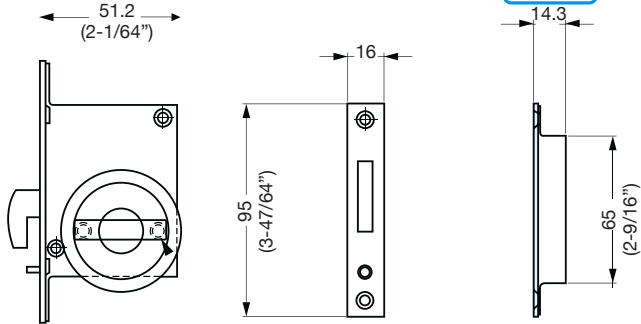
Finish: Satin



Item No.	Thickness
HC-30L	28.6-47.6 (1-1/8" ~ 1-7/8")

### HC-30HL

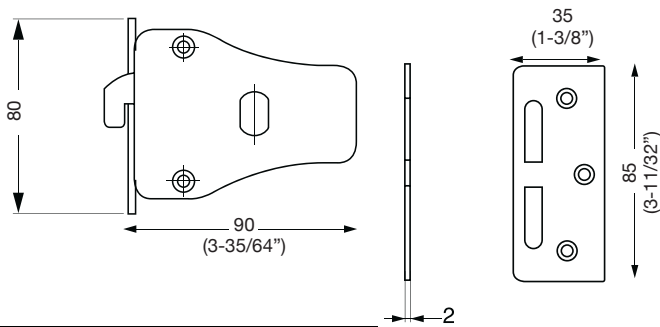
Finish: Satin



Item No.	Thickness
HC-30HL	28.6-47.6 (1-1/8" ~ 1-7/8")

### HC-70

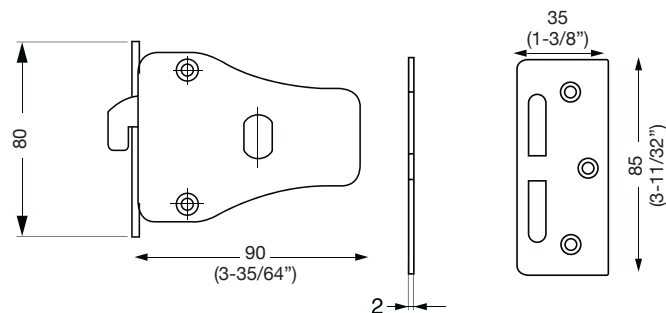
Finish: Satin



Item No.	Thickness
HC-70	26-40 (1-1/32" ~ 1-9/16")

### HC-70H

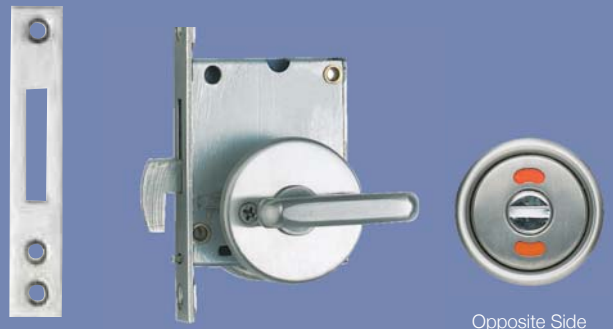
Finish: Satin



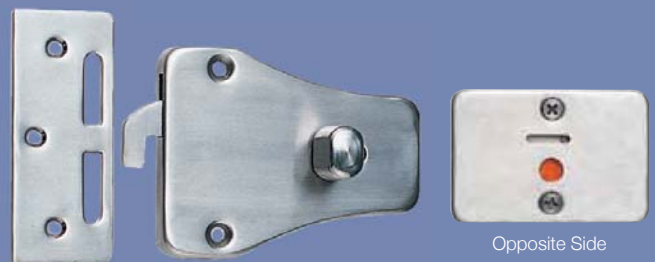
Item No.	Thickness
HC-70H	26-40 (1-1/32" ~ 1-9/16")



Opposite Side



Opposite Side

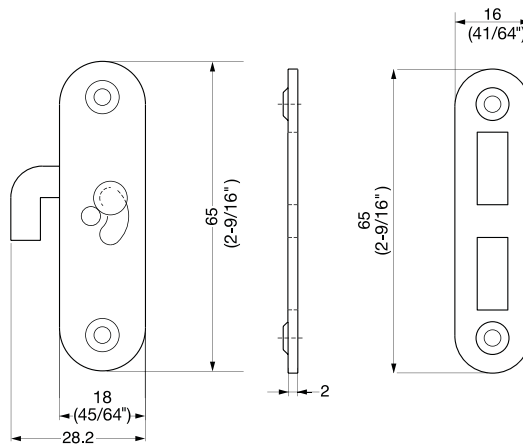


Opposite Side



Finish: Satin

### HC-65

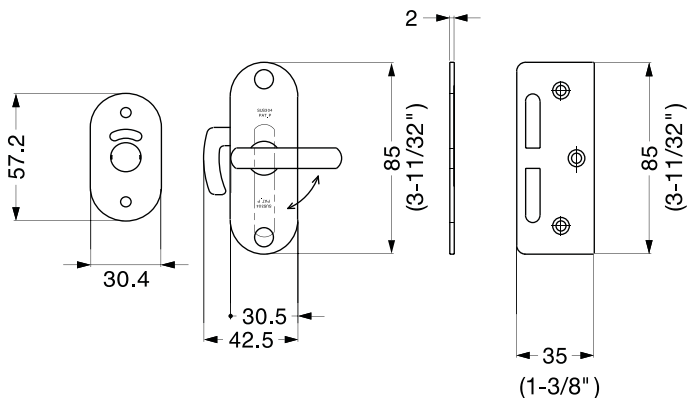


Item No.	
	HC-65



Finish: Satin

### HHC-85

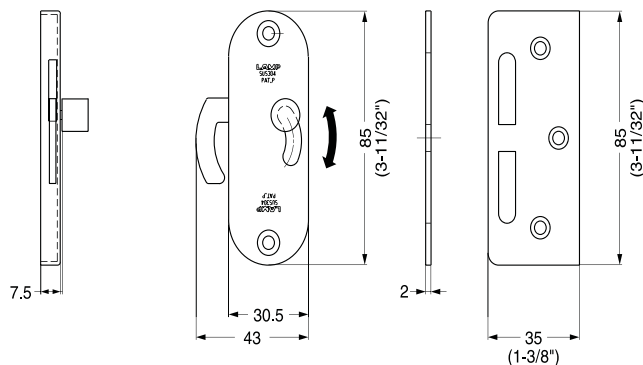


Item No.	Thickness
HHC-85	1-1/32" - 1-1/2"



Finish: Satin

### HC-85



Item No.	
	HC-85



Soft-Closing | Bi-Folding | Synchronized | Lateral Opening | Self Closing | Flush Sliding

**Sugatsune America, Inc.**  
www.sugatsune.com

**U.S. Headquarters**

18101 Savarona Way  
Carson, CA 90746  
Phone: 310-329-6373  
Fax: 310-329-0819  
E-mail: sales@sugatsune.com

**Chicago Showroom**

121 West Wacker Drive #1007  
Chicago, IL 60601  
Phone: 312-461-1081  
Fax: 312-461-1082  
E-mail: chicagoshowroom@sugatsune.com