

LEVER BOLT



HR35



Features

- Ideal for harsh and high corrosion environments.
- Turn the latch knob to open/close.
- Easy installation, flat and compact design for various application.
- 2 different counter plates included for different mountings.

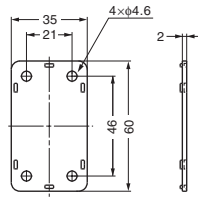
Parts Included

Countersunk wood screw 3.5x20 (SUS)

Sold Separately

Spacer HR35SP-B

Spacer (Sold Separately)



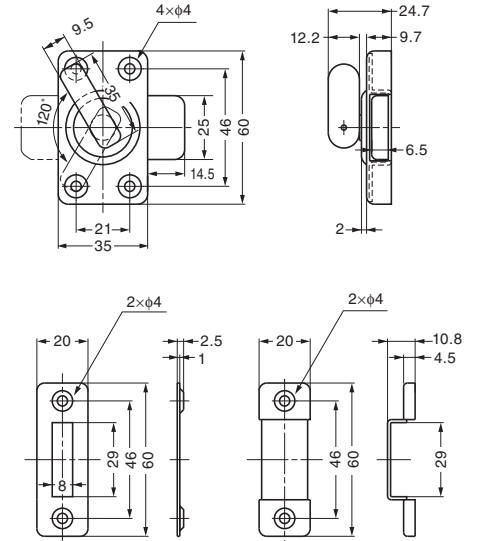
Spacer (Sold separately)

Body

Item Code	Item Name	Material	Finish	Weight	Box	Carton
140-180-135	HR35	Stainless Steel (SUS304)	Satin	108 g	10 pcs	100 pcs

Spacer (Sold Separately)

Item Code	Item Name	Material	Colour	Weight	Box	Carton
140-180-002	HR35SP-B	Polyamide (PA)	Black	5 g	250 pcs	2,500 pcs



SLIDING DOOR LATCH



HC-30R



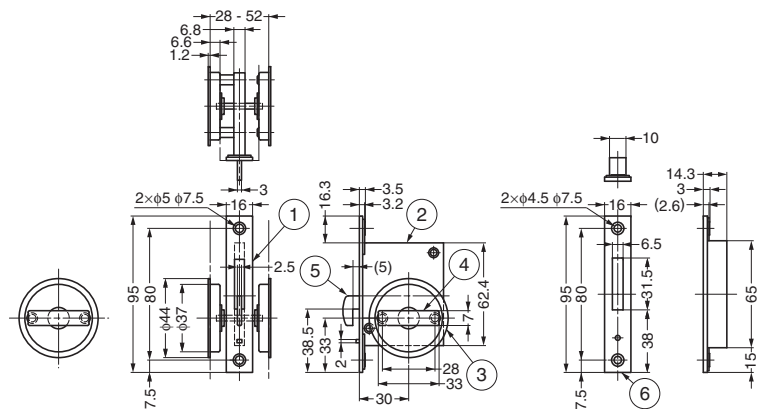
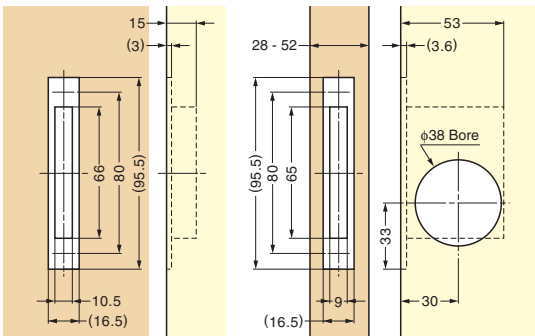
Features

- Ideal for harsh and high corrosion environments.
- Can be locked from both side and prevents unexpected open/close.
- Easy installation, flat and compact design for various application.

Parts Included

Countersunk head wood screw 3.5x20 (SUS)

Cut Out Dimensions



No.	Part Name	Material	Finish
①	Front Plate	Stainless Steel (SUS304)	Satin
②	Body	Steel (SECC)	(Zinc Chromate)
③	Body	Stainless Steel (SUS304)	Polished
④	Thumb	Zinc Alloy	Chrome
⑤	Deadbolt	Stainless Steel (SUS304)	Polished
⑥	Counter Plate	Stainless Steel (SUS304)	Satin

Item Code	Item Name	Door Thickness	Weight	Box	Carton
140-022-282	HC-30R	28 - 52	290 g	5 pcs	50 pcs



CATCHES & LATCHES

LEVER BOLT / SLIDING DOOR LATCH