

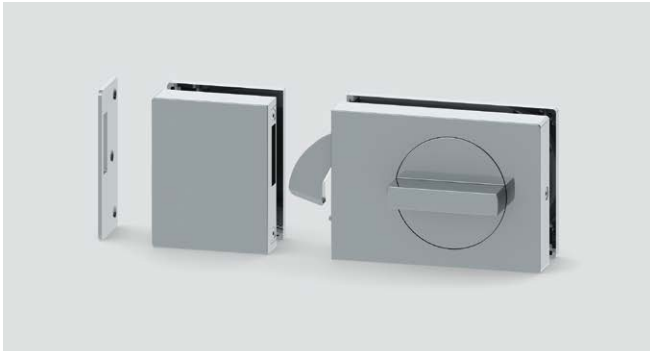
# LEVER BOLT (W/INDICATOR)

L=R

INSTRUCTION

TEMPERED GLASS

HCZ-80



### Features

- A thumbturn lever bolt with an indicator for use on glass and wooden doors.
- Internal mechanism pulls the door to the frame when locked, limiting unintended movement of door and frame.
- Comes with a trigger (safety feature) so that the lock cannot engage when the door is not closed.
- When the door is open, the lever and trigger lie flat and do not protrude.

### Parts Included

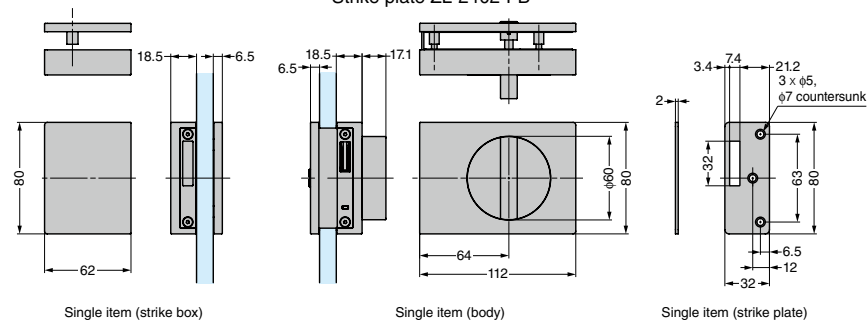
- Size M4 countersunk hex socket bolt (for door mounting)
- Size M3 countersunk hex socket bolt (for cover mounting)
- \*The required screws differ depending on the door thickness. See the Types of Screws Included table for details.

### Sold Separately

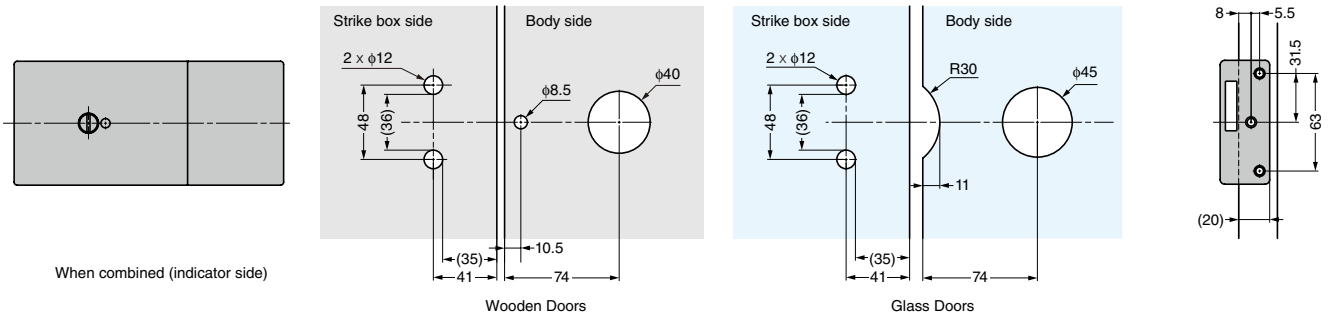
- Strike box HCZ-80B-CR, HCZ-80B-SN
- Strike plate ZL-2402-FB



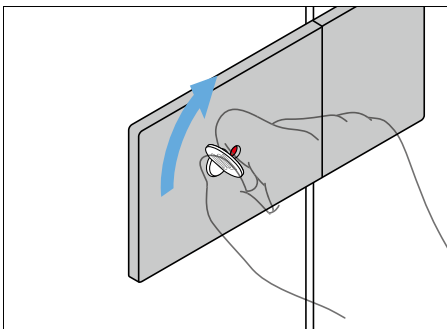
The indicator colour enables easy visibility, allowing you to see clearly whether the door is locked or unlocked.



### Cut Out Dimensions: When using strike box

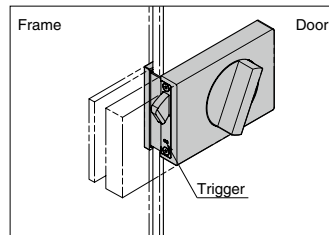


### Emergency Unlocking Method



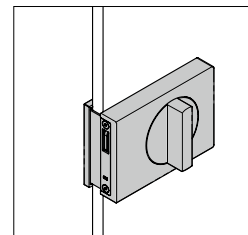
The indicator has a feature which enables unlocking the door from outside in an emergency. To unlock, rotate the centre 90° with a coin, etc. as shown in the figure above.

### With Safety Feature



The trigger senses whether the door is open or closed, and only enables the thumbturn to be turned all the way when the door is closed.

### Flat when Door is Open



When the door is open, the lever and trigger lie flat and do not protrude.

### Types of Screws Included

	Quantity	For Wooden Door			
		Thickness 10 - 12	Thickness 33 - 37	Thickness 38 - 42	Thickness 43 - 45
Countersunk Hex Socket Bolt (for door mounting)	3	M4 x 20	M4 x 45	M4 x 50	M4 x 55
Countersunk Hex Socket Bolt (for cover mounting)	1	M3 x 10			
	2	M3 x 8			

### Main Body

CAD	Item Code	Item Name	Specifications	Compatible Door Thickness (mm)	Material	Finish	Weight (g)	Box (sets)
	140-040-969	HCZ-80G-CR	For Glass Door	10 - 12	Zinc Alloy (ZDC)	Chrome Plating	1050	1
	140-040-970	HCZ-80G-SN				Satin Nickel Plating		1
	140-040-971	HCZ-80W-CR	For Wooden Door	33 - 45		Chrome Plating		1
	140-040-972	HCZ-80W-SN				Satin Nickel Plating		1

### Strike Box (sold separately)

CAD	Item Code	Item Name	Material	Finish	Weight (g)	Box (sets)
	140-040-973	HCZ-80B-CR	Zinc Alloy (ZDC)	Chrome Plating	500	1
	140-040-974	HCZ-80B-SN		Satin Nickel Plating		1

### Strike Plate (sold separately)

CAD	Item Code	Item Name	Material	Finish	Weight (g)
	140-040-975	ZL-2402-FB	Stainless Steel (SUS316)	Zwei L Finish	50