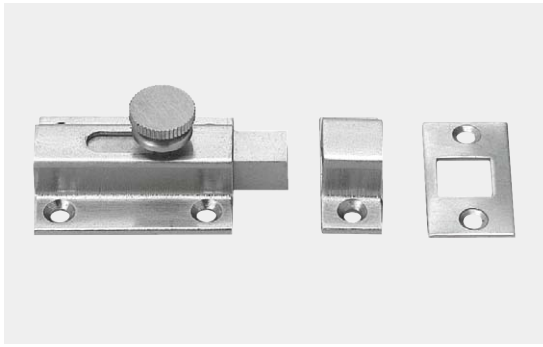
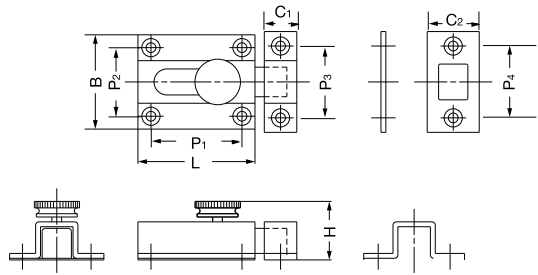


SLIDE BOLT B-KR



- Knurled knob provides easy grip.
- 2 counterplates included for different mountings.



| Material | Finish |
|----------|--------------|
| Brass | Satin Nickel |

| RoHS | CAD | Item Code | Item Name | L | B | H | C ₁ | C ₂ | P ₁ | P ₂ | P ₃ | P ₄ | Weight (g) | Box (pcs) | Carton (pcs) |
|------|-----|-------------|-----------|----|----|------|----------------|----------------|----------------|----------------|----------------|----------------|------------|-----------|--------------|
| - | - | 140-054-048 | B-KR-35 | 36 | 29 | 18 | 11 | 16 | 26.5 | 19 | 20 | 21 | 60 | 20 | 200 |
| - | - | 140-059-040 | B-KR-45 | 45 | 30 | 18.5 | 12.5 | 17 | 33 | 20 | 22.5 | 21.5 | 80 | 10 | 200 |

MAGNETIC CATCHES

KNUCKLE CATCHES & TENSION CATCHES

TOUCH LATCHES

LEVER LATCHES

SLIDE / BARREL BOLTS

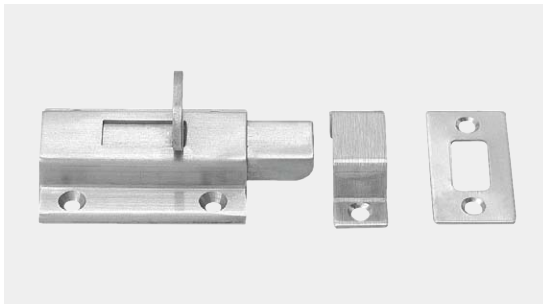
DRAW LATCHES

PUSH LOCK FASTENERS & KNOB FASTENERS

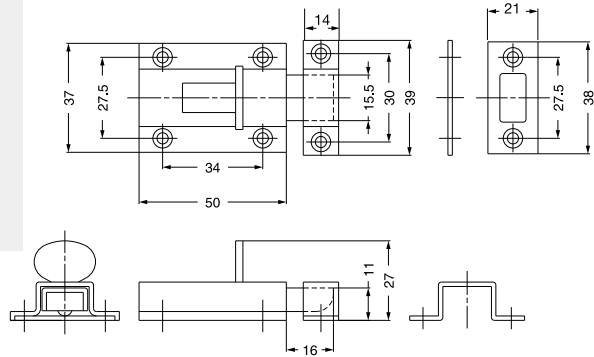
ALUMINIUM FRAME CORNER CONNECTORS

DOOR DAMPERS

SLIDE BOLT KR-50

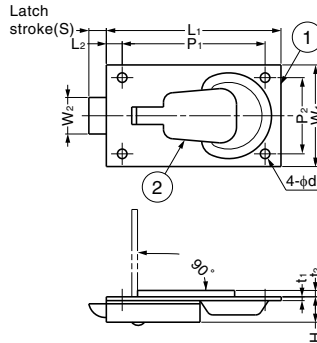


- Tab style knob provides an easy grip.
- 2 counterplates included for different mountings.



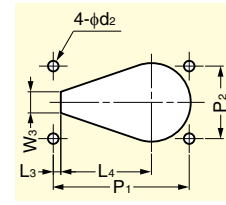
| RoHS | CAD | Item Code | Item Name | Material | Finish | Weight (g) | Box (pcs) | Carton (pcs) |
|------|-----|-------------|-----------|--------------------------|--------|------------|-----------|--------------|
| - | - | 140-913-942 | KR-50 | Stainless Steel (SUS304) | Satin | 80 | 20 | 200 |

FLUSH SLAM LATCH P10



- Flush slam latch ideal for cover panels and small applications.
- Panel is latched when tab is flush, and released by pulling up the tab.
- Tab will stay in both flush and extended position.
- Ideal for multiple latch panels.

[Bore Dimensions]



| No. | Part Name | Material | Finish |
|-----|-----------|----------|--------|
| ① | Body | Brass | Nickel |
| ② | Lever | Brass | Nickel |

| RoHS | CAD | Item Code | Item Name | L ₁ | L ₂ | L ₃ | L ₄ | W ₁ | W ₂ | W ₃ | H | t ₁ | t ₂ | P ₁ | P ₂ | d ₁ | d ₂ | R | S | Weight (g) | Box (pcs) | Carton (pcs) |
|------|-----|-------------|-----------|----------------|----------------|----------------|----------------|----------------|----------------|----------------|------|----------------|----------------|----------------|----------------|----------------|----------------|-----|-----|------------|-----------|--------------|
| ✓ | - | 140-049-310 | P10-26H | 26 | 1.5 | 4 | 14 | 13 | 5 | 5 | 6 | 0.8 | 1.5 | 23 | 10 | 1.5 | 2 | 5 | 2.5 | 6 | - | - |
| - | - | 140-049-309 | P10-30H | 30 | 3 | 1.5 | 18 | 17 | 5.8 | 6 | 6.5 | 1.2 | 2 | 25 | 13 | 1.5 | 2 | 6 | 3 | 11 | - | - |
| - | - | 140-049-308 | P10-38H | 38 | 3 | 2 | 22.5 | 22 | 7.5 | 6 | 7.5 | 1.2 | 2 | 33 | 17.5 | 2 | 2.5 | 8.5 | 3.5 | 18 | - | - |
| ✓ | - | 140-049-307 | P10-45H | 45 | 4 | 2.5 | 26.5 | 26 | 10 | 6 | 8 | 1.2 | 2 | 37 | 20 | 2.5 | 3 | 9.5 | 4.5 | 28 | - | - |
| ✓ | - | 140-049-306 | P10-55H | 55 | 5 | 2.5 | 30 | 32 | 11.5 | 7 | 8.5 | 1.2 | 2 | 45 | 24 | 3 | 3.5 | 13 | 5.5 | 40 | - | - |
| ✓ | - | 140-049-305 | P10-61H | 61 | 5.5 | 5 | 32 | 45 | 15 | 11 | 11.5 | 1.2 | 2 | 50 | 38 | 3 | 3.5 | 14 | 7 | 66 | - | - |