

# MAGNETIC CATCH

STAINLESS  
430  
STEEL

## MC0083HP



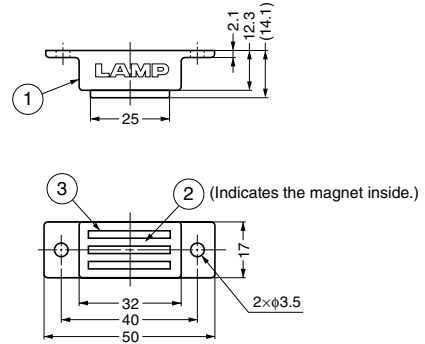
### Features

- Suitable for high temperature environments up to 250°C. Small with strong magnetic force.
- Corrosion and heat resistance: both magnets and yokes are made of stainless steel.

Similar item: MC-YN0083N (P.266)

### Sold Separately

Counter plate (SUS) AS-68 (P.273)



### Body

Item Code	Item Name	Magnetic Force N	Magnetic Force kgf	Weight	Box	Carton
140-012-729	MC0083HP- 70	70 N	7.1 kgf	40 g	40 pcs	400 pcs
140-012-613	MC0083HP-140	140 N	14.3 kgf	40 g	40 pcs	400 pcs

### Counter Plate (Sold Separately)

Item Code	Item Name	Page
140-050-138	AS-68	P.273

No.	Part Name	Material	Finish
①	Body	Stainless Steel (SUS304)	Mirror
②	Magnet	Samarium Cobalt	Plain
③	Yoke	Stainless Steel (SUS430)	Mirror

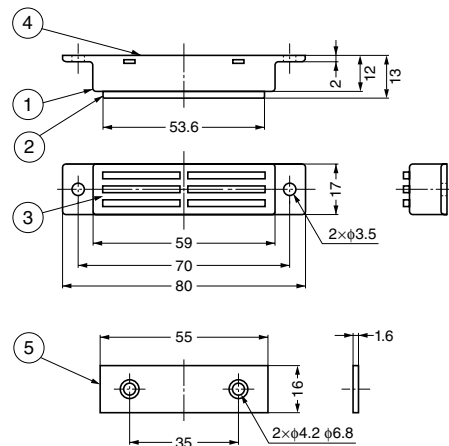
# MAGNETIC CATCH

## MC0083D



### Features

Strong magnetic force.



No.	Part Name	Material	Finish
①	Body	Brass	Nickel
②	Yoke	Steel	Nickel
③	Magnet	Ferrite	—
④	Cover	Aluminium Alloy	Anodized
⑤	Strike	Steel	Nickel

Item Code	Item Name	Magnetic Force N	Magnetic Force kgf	Weight	Box	Carton
140-058-067	MC0083D	98 N	10 kgf	63 g	20 pcs	200 pcs