

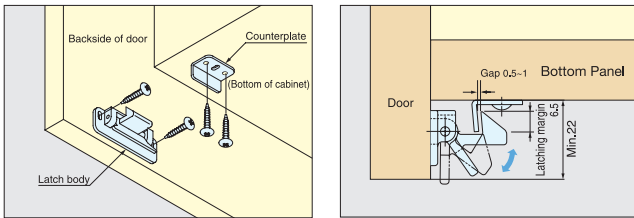
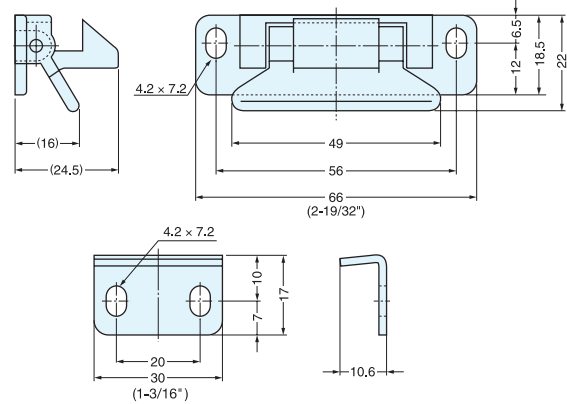
# LEVER LATCH



## LL-66



• Latch designed to be used on a door without knobs or handles.



Item No.	Holding Force (kg)	Weight (g)	Box (pcs)	Carton (pcs)
LL-66/BRN	20 (44 lbs)	25	30	300
LL-66/WHT				
LL-66/CR				
LL-66/GR*				
LL-66/BLK				

Part Name	Material	Color
Latch Body	Plastic (PA)	White (WHT) Brown (BRN) Grey (GR) Black (BLK)
	Plastic (PC)	Chrome (CR)
Lever	Plastic (PA)	White (WHT) Brown (BRN) Grey (GR) Black (BLK)
	Plastic (ABS)	Chrome (CR)
Counterplate	Steel	Nickel

\*LL-66/GR: UL-94 V0 rated flame retardant material.

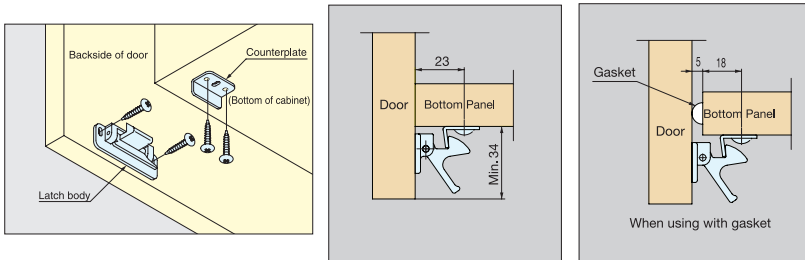
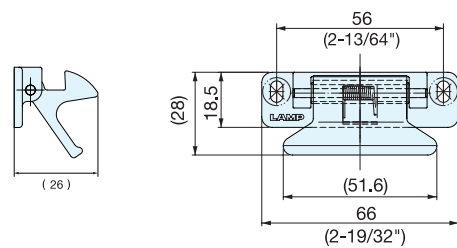
# STAINLESS STEEL LEVER LATCH



## LL-66S



• Latch designed to be used on a door without knobs or handles.  
• 316 Stainless steel construction makes it ideal for harsh and high corrosive environments.



Item No.	Holding Force (kg)	Weight (g)	Box (pcs)	Carton (pcs)
LL-66S	20 (44 lbs)	85	20	100

Part Name	Material	Color
Latch Body	SCS14 Stainless Steel (Similar to SUS316)	Mirror
Lever	316 Stainless Steel	Plain
Counterplate	316 Stainless Steel	Plain
Spring	316 Stainless Steel	Plain