

KNUCKLE CATCH NAC

TEST METHOD 10

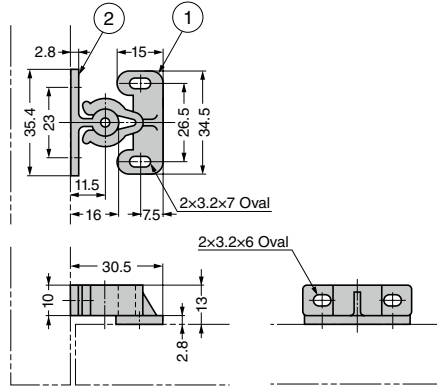
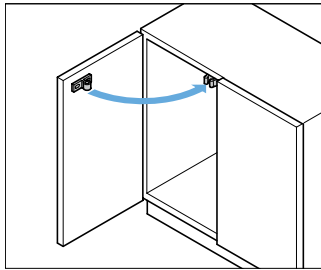


- Holds door tightly and suitable for large door.
- High durability.
- Can be used for overlay and inset door.

[Remarks]

- Catch force varies. Please check with actual item.
- The body colour is different from the striker.
- The push-in and pulling force may vary for ±20-30%. Please check with the actual item

[Installation]



| No. | Part Name | Material | Colour |
|-----|-----------|----------|---------|
| ① | Body | POM | Natural |
| ② | Striker | PA | |

| RoHS | CAD | Item Code | Item Name | Push-in Force N | Push-in Force kgf | Pulling Force N | Pulling Force kgf | Weight (g) | Box (pcs) | Carton (pcs) |
|------|-----|-------------|-----------|-----------------|-------------------|-----------------|-------------------|------------|-----------|--------------|
| - | BD | 140-051-013 | NAC | 58 | 5.9 | 69 | 7.0 | 4.5 | 100 | 1000 |

KNUCKLE CATCH JC-T50

TEST METHOD 10



- Can be used for overlay and inset door.
- Suitable for various applications such as swing doors, and drawers, etc.

[Applications]

- Furniture, kitchen equipment and marine hardware, etc.

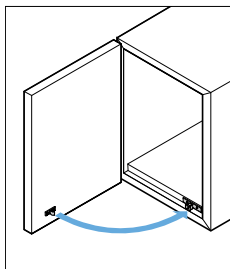
[Remarks]

- Catch force varies. Please check with actual item.
- The push-in force and pulling force may vary for ±20-30%. Please check with the actual item.

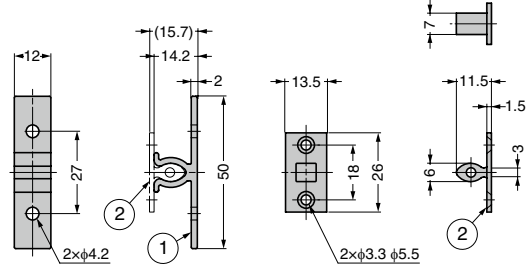
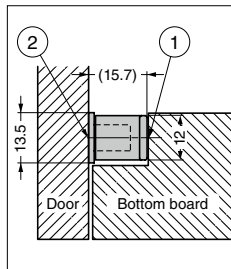
[Parts Included]

- Binding head tapping screw 4 × 16 (for body installation)
- Countersunk head tapping wood screw 2.7 × 16 (for striker installation)

[Installation]



[Application Reference]



| No. | Part Name | Material | Colour |
|-----|-----------|----------|---------|
| ① | Body | POM | Natural |
| ② | Striker | PA | |

| RoHS | CAD | Item Code | Item Name | Push-in Force N | Push-in Force kgf | Pulling Force N | Pulling Force kgf | Weight (g) | Box (pcs) | Carton (pcs) |
|------|-----|-------------|-----------|-----------------|-------------------|-----------------|-------------------|------------|-----------|--------------|
| G | BD | 140-019-545 | JC-T50 | 19 | 1.9 | 20 | 2.0 | 3 | 50 | 500 |