

# FLUSH SLAM LATCH



LC-48

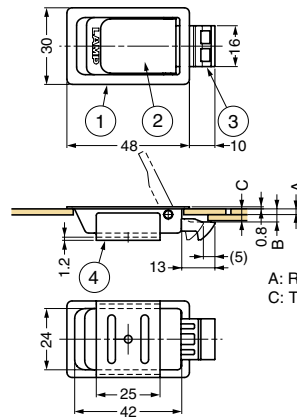


### Features

- Door will be latched when closed.
- Pull paddle handle to open.
- UL-94 V0 rated flame retardant material.
- Non-Handed: Can be installed on left or right side.
- Easy installation. Insert the latch body through cut out section and simply screw-on the back plate.

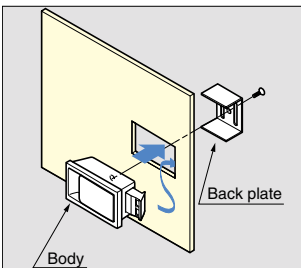
### Parts Included

Pan head screw M4x10 (SUS)

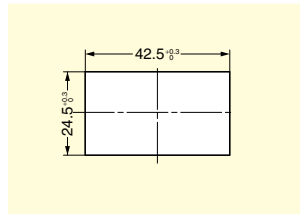


A: Recommended panel thickness.  
C: Total thickness of the board

### Installation



### Cut Out Dimensions



Item Code	Item Name	A	B	C	Weight	Box	Carton
140-021-199	LC-48-3	1 - 1.6	3.5	3.2	35 g	40 pcs	400 pcs
140-021-200	LC-48-5	1 - 2.3	5.1	4.6	35 g	40 pcs	400 pcs

No.	Part Name	Material	Finish/Colour
①	Body	Stainless Steel (SUS304)	Polished
②	Handle	Stainless Steel (SUS304)	Polished
③	Latch Bolt	PBT	White
④	Back Plate	Stainless Steel (SUS304)	Polished

# FLUSH SLAM LATCH



LC-65A



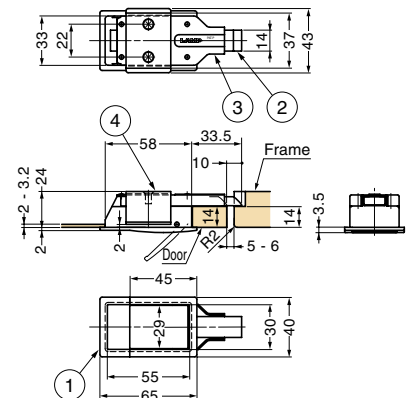
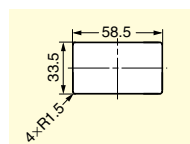
### Features

- Door will be latched when closed.
- Pull paddle handle to open.
- Non-Handed: Can be installed on left or right side.
- Easy installation. Insert the latch body through cut out section and simply screw-on the back plate.
- Latching margin : 5 mm

### Parts Included

Pan head screw M4x8 (SUS)

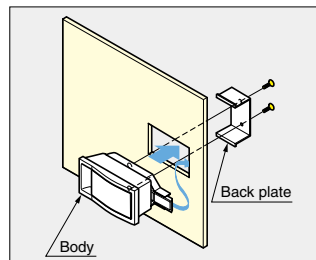
### Cut Out Dimensions



### Application Example



### Installation



Item Code	Item Name	Door Thickness	Weight	Box	Carton
140-050-206	LC-65A	2 - 3.2	108 g	10 pcs	100 pcs

No.	Part Name	Material	Finish
①	Body	Aluminium Alloy	Silver
②	Latch Bolt	Polyacetal (POM)	White
③	Cover	Stainless Steel (SUS304)	Polished
④	Back Plate	Stainless Steel (SUS304)	Polished