

STAINLESS STEEL COMPRESSION DRAW LATCH

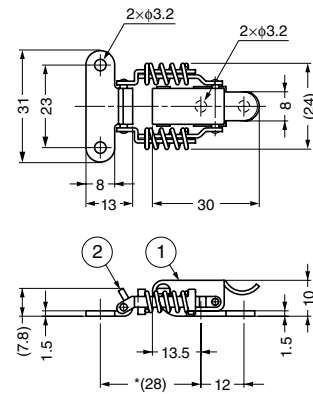
STAINLESS
304
STEEL

SCC-30



Features

- Made entirely out of stainless steel
- Built in spring



*Dimension shown is in case of clamping force "0".

Item Code	Item Name	Weight	Box	Carton
120-040-693	SCC-30	15 g	100 pcs	1,000 pcs

No.	Part Name	Material	Finish
①	Body	Stainless Steel (SUS304)	Polished
②	Counter Plate	Stainless Steel (SUS304)	Polished

STAINLESS STEEL COMPRESSION DRAW LATCH

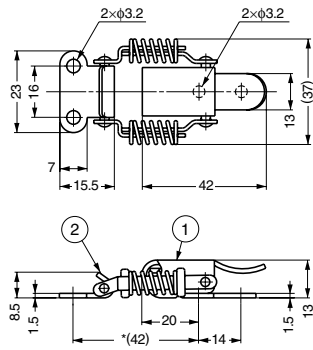
STAINLESS
304
STEEL

SCC-40



Features

- Made entirely out of stainless steel
- Built in spring



*Dimension shown is in case of clamping force "0".

Item Code	Item Name	Weight	Box	Carton
120-043-980	SCC-40	36 g	40 pcs	400 pcs

No.	Part Name	Material	Finish
①	Body	Stainless Steel (SUS304)	Polished
②	Counter Plate	Stainless Steel (SUS304)	Polished

STAINLESS STEEL COMPRESSION DRAW LATCH

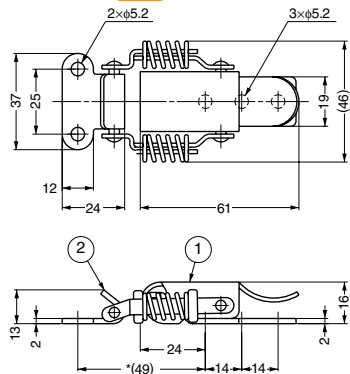
STAINLESS
304
STEEL

SCC-60



Features

- Made entirely out of stainless steel
- Built in spring



*Dimension shown is in case of clamping force "0".

Item Code	Item Name	Weight	Box	Carton
120-043-981	SCC-60	75 g	20 pcs	200 pcs

No.	Part Name	Material	Finish
①	Body	Stainless Steel (SUS304)	Polished
②	Counter Plate	Stainless Steel (SUS304)	Polished