

# STAINLESS STEEL COMPRESSION LATCH

TEST METHOD 7

TEST METHOD 17

STAINLESS 304 STEEL

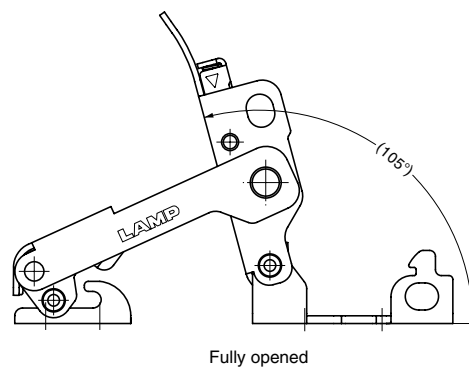
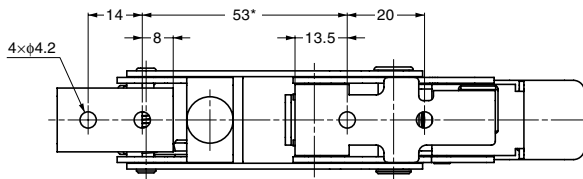
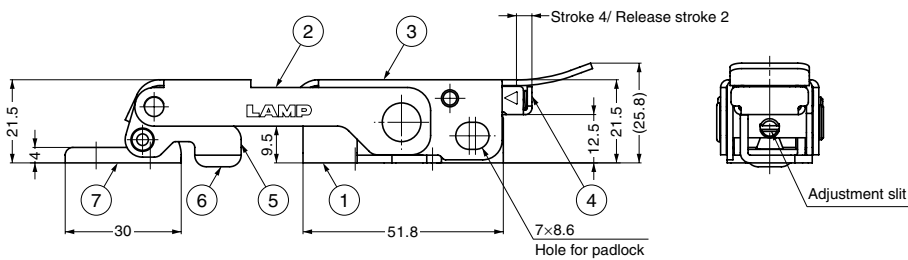
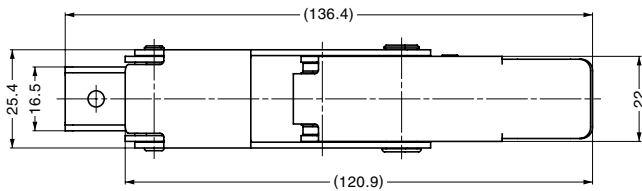
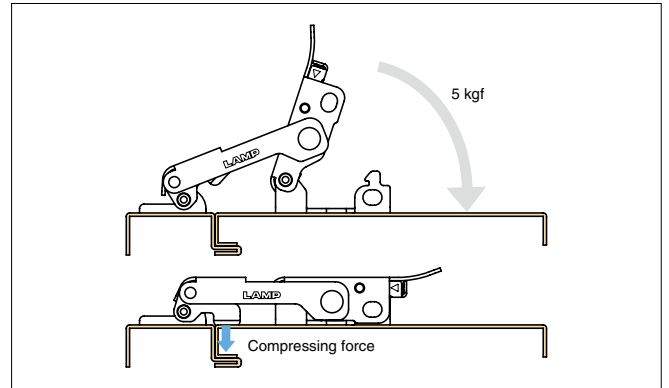
# STF-CP140



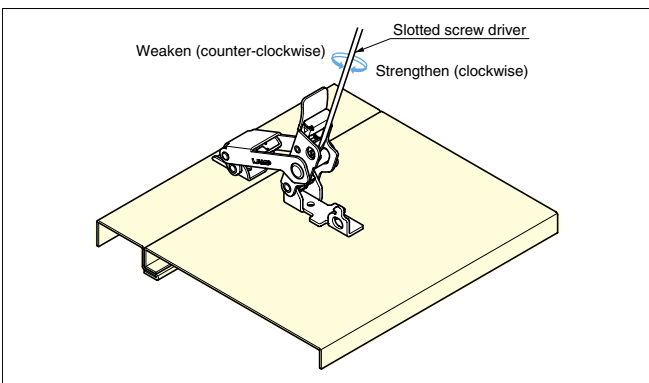
### Features

- Can put vertical downward force.
- Compression force is adjustable post-installation
- Safety lock automatically locks to prevent unintentional opening
- Push safety button to release the lock.
- Can be used with Padlock PWL (P.354).

### Application



### How to Adjust Compressing Force



No.	Part Name	Material	Finish/Colour
①	Base	Stainless Steel (SUS304)	Mirror
②	Arm	Stainless Steel (SUS304)	Mirror
③	Lever	Stainless Steel (SUS304)	Mirror
④	Safety Button	Stainless Steel (SUS304)	Mirror
⑤	Compression Arm	Stainless Steel (SUS304)	Mirror
⑥	Rubber	Ethylene Propylene Rubber (EPDM)	Black
⑦	Counter Plate	Stainless Steel (SUS304)	Mirror

Item Code	Item Name	Compressing Force	Load Capacity N	Load Capacity kgf	Weight	Box	Carton
120-025-504	STF-CP140	245 N 25 kgf	600 N	61 kgf	130 g	10 pcs	80 pcs

\*In case of the lever operation force in 5kgf