

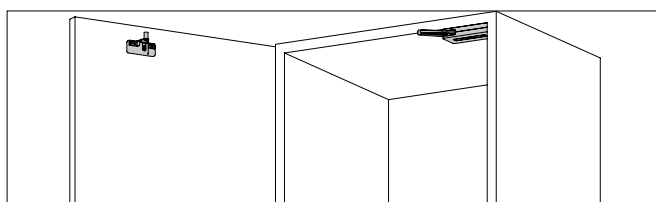


DC-200

DAMPER CATCH

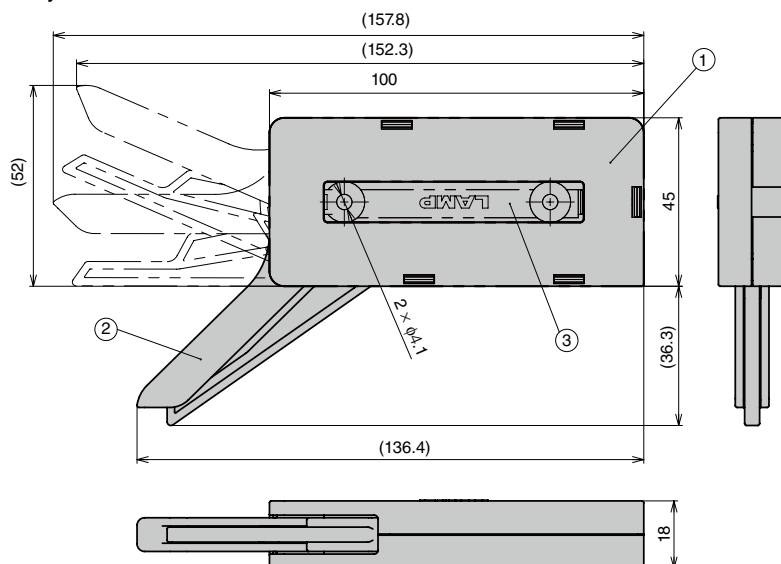


Installation Example

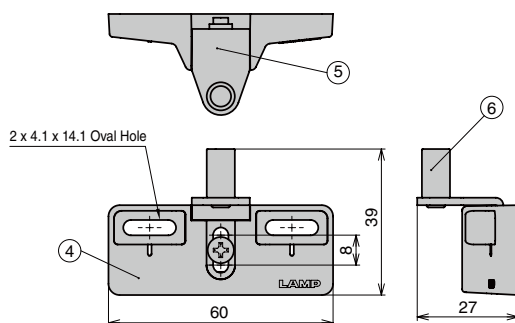


Attach to the interior of the cabinet.

Body



Counter Plate



Features

- Damper and catch combination for sideways opening doors.
- Prevents doors from slamming.
- Holds doors in closed position.
- Easy to install by simply aligning body with the interior wall.
- Non-handed.
- Can handle doors up to 40 kg. (When using DC-200 - 40).
- Strike can be adjusted post-installation: horizontally ± 5 mm, vertically ± 4 mm.
- Passed 50,000 open/close cycles in a private test.

Recommended hinges

- Heavy Duty Concealed Hinge J95 (With catch type)
- 3way Adjustable Concealed Hinge HES3D-90
- Single axis furniture hinges

Caution

- The screws for installing on sheet metal are not included. We recommend the following screws:
Recommended screws for body: Cross binding head M4 \times 30
Recommended screws for counter plate: Cross binding head M4 \times 15
- Do not install to body or strike to hollow surfaces.
- If there is a large resistant force during closing, the door may not close fully.

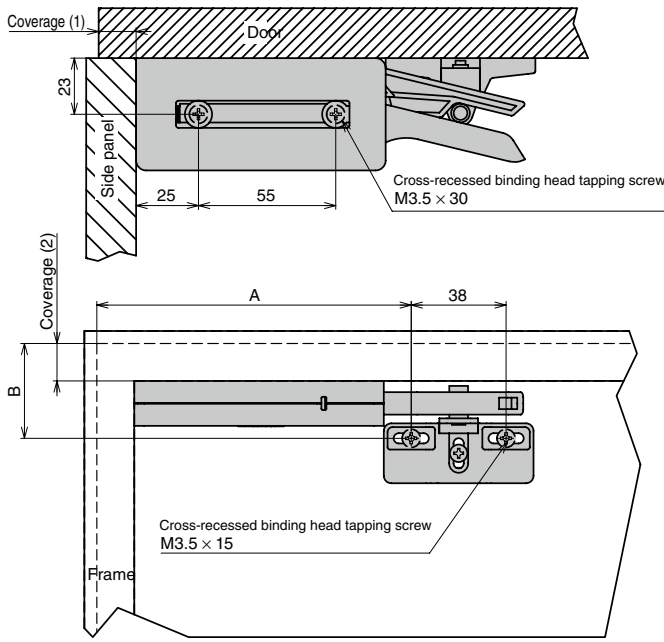
Parts included

- Body Cover
- Counter
- Screws to attach body: 3.5 \times 30
- Screws to attach counter: 3.5 \times 15

No.	Item Name	Materials	Finish/Colour
①	Body	PC/ABS	White / Black
②	Arm	PA	White / Black
③	Body Cover	ABS	White / Black
④	Counter	PC/ABS	White / Black
⑤	Counter Plate	Steel (SPCC)	Nickel Plating
⑥	Bumper	Elastomer	Gray

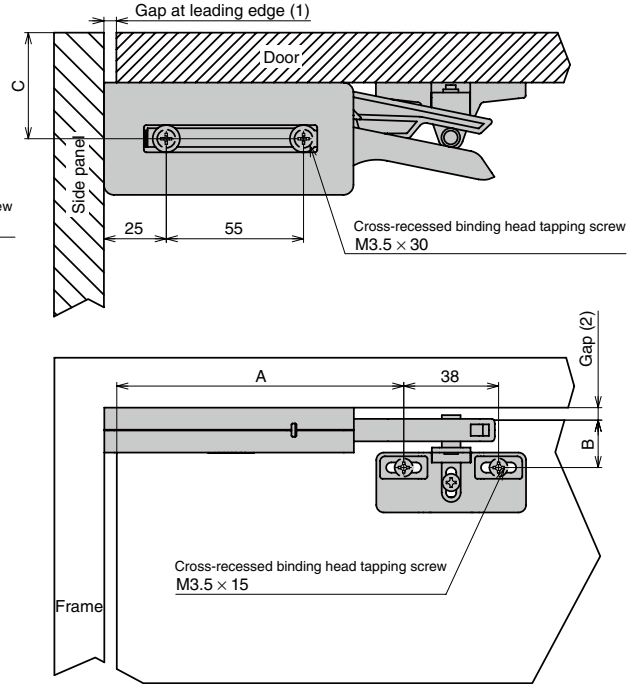
CAD	Item Code	Item Name	Colour	Door Width	Door Height	Load Capacity (kg)	Weight (g)
2D/3D	140-043-604	DC-200-25WT	White	450 - 900	Under 2400	7 - 25	105
2D/3D	140-043-605	DC-200-25BL	Black				
2D/3D	140-043-606	DC-200-40WT	White			25 - 40	
2D/3D	140-043-607	DC-200-40BL	Black				

For lapped (outset) doors



For inset doors

Install a door stopper in addition to this product.

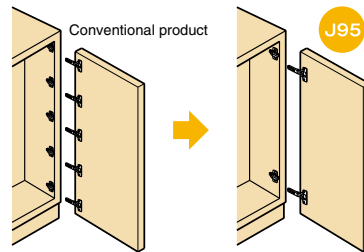


	A	B	C
Outset Doors	114 + Coverage (1)	24 + Coverage (2)	
Inset Doors	114 - gap at leading edge (1)	24 - gap (2)	23+Door Thickness

Related Products

ONE-TOUCH SLIDING HINGE FOR HEAVY DOORS

J95



Two pieces will do the job of five conventional hinges!

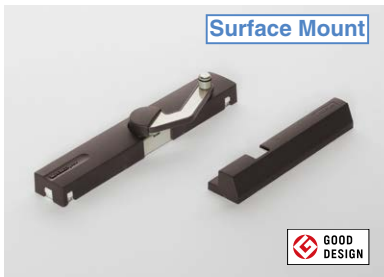
Features

- A sliding hinge for heavy doors that can be used together with the DC-200 damper catch.
- Use the type with a catch if using together with the DC-200 damper catch.
- Supports large doors weighing up to 25 kg with 2 hinges or up to 40 kg with 3 hinges.
- Enables one-touch installation and removal of the door.
- Enables three-dimensional adjustment of the door.
(+1.5 mm/-2.5 mm forward/back, ±3 mm up/down, +0 mm/-4 mm coverage adjustment [left/right])
- Streamlined design free of protrusions such as adjustment screws on the body top.
To ensure safety, the lock lever does not protrude from the back of the body.

Related Products

LAPCON DOOR DAMPER

LDD-S, LDD-V



Surface Mount



LDD-S



Embedded



LDD-V



Features

- A damper for doors (fixtures).
- Enables the door to be opened with less force than with door closers.
- Supports doors weighing up to 40 kg.
- Contact us if your door is wider than 900 mm.